



Distributor of Molex Connector Corporation: Excellent Integrated System Limited
Datasheet of 0190130029 - Connector Quick Connect Receptacle/Tab 14-16 AWG 0.250"
(6.35mm) Crimp

Contact us: sales@integrated-circuit.com Website: www.integrated-circuit.com

Excellent Integrated System Limited

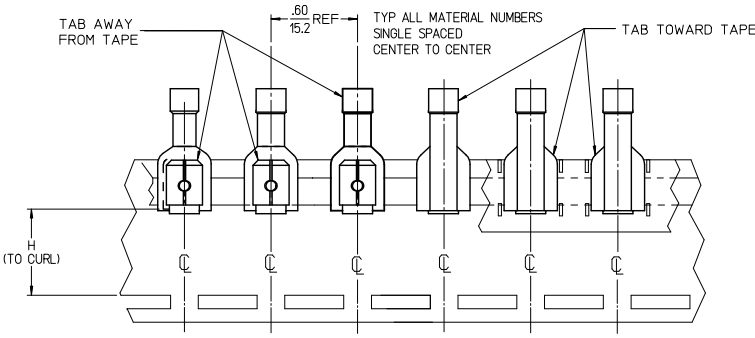
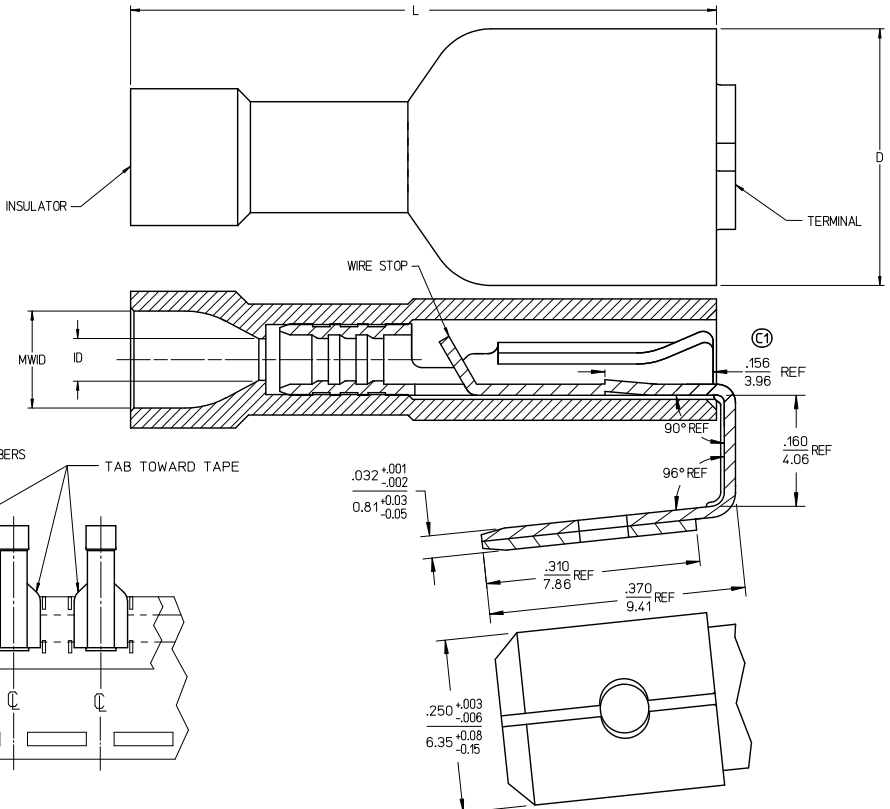
Stocking Distributor

Click to view price, real time Inventory, Delivery & Lifecycle Information:

[Molex Connector Corporation](#)
[0190130029](#)

For any questions, you can email us directly:
sales@integrated-circuit.com

13	12	11	10	9	8	7	6	5	4	3	2	1
MATERIAL NO. LOOSE PC	ENGINEERING NO. LOOSE PC	MATERIAL NO. ON TAPE	ENGINEERING NO. ON TAPE	WIRE SIZE	INSULATOR COLOR	ID MIN REF	MWID	D MAX	L MAX	H NOMINAL	BARE TAB POSITION	
190130025	AA-2317	190130026	AA-2317	22-18 AWG	GREEN	.081/2.06	.159/4.04	.380/9.65	.860/21.84	.54/13.7	AWAY FROM TAPE	
190130029	BB-2318	190130030	BB-2318	16-14 AWG	BLUE	.081/2.06	.159/4.04	.380/9.65	.860/21.84	.54/13.7	AWAY FROM TAPE	
190130033	C-2319	190130034	C-2319	12-10 AWG	YELLOW	.147/3.73	.277/7.03	.380/9.65	1.030/26.162	.57/14.4	TOWARD TAPE	



PARTS ON TAPE (SCALE 2:1)

- NOTES:
1. TERMINAL MATERIAL: BRASS
 2. TERMINAL FINISH: TIN PLATED
 3. INSULATOR MATERIAL: NYLON
 4. MWID = MAXIMUM WIRE INSULATION DIAMETER.
 5. ASSEMBLY IS ROHS COMPLIANT.

ADD TAPE DIAGRAM EC NO: VINA2008-0032 DRAWN: THRODHAL 2008/02/14 CHKD: MALCNETL 2008/03/11 APPR: MALCNETL 2008/03/11	QUALITY SYMBOLS ▽=0 ▽=0	GENERAL TOLERANCES (UNLESS SPECIFIED)		DIMENSION STYLE	SCALE	DESIGN UNITS	THIRD ANGLE PROJECTION	
		mm	INCH	IN/MM	10:1	INCH		
		4 PLACES ±	±	BRE	2003/03/19	TITLE PIGGYBACK FIQD, .250 X .032 TAB, INSULKRIMP		
		3 PLACES ±	±	CHEKED BY	DATE	MATERIAL NO. DOCUMENT NO. SHEET NO.		
2 PLACES ±	±	HEB	2003/03/19	MOLEX INCORPORATED				
1 PLACE ±	±	APPROVED BY	DATE	SEE CHART SD-19013-001				
ANGULAR ±	°	RWD	2003/03/19	THIS DRAWING CONTAINS INFORMATION THAT IS PROPRIETARY TO MOLEX INCORPORATED AND SHOULD NOT BE USED WITHOUT WRITTEN PERMISSION				
DRAFT WHERE APPLICABLE MUST REMAIN WITHIN DIMENSIONS		SIZE						
C1		REV						