



## **Excellent Integrated System Limited**

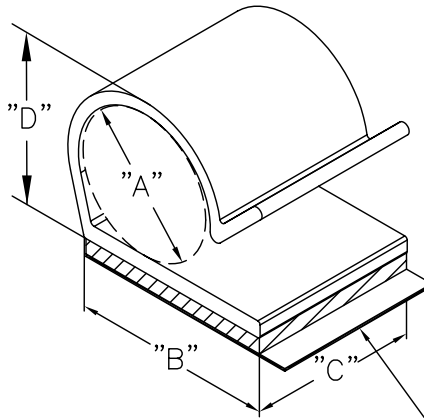
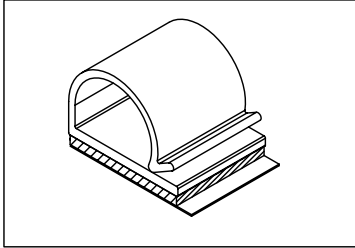
Stocking Distributor

Click to view price, real time Inventory, Delivery & Lifecycle Information:

[Essentra Components \(formerly Richco, Inc.\)](#)  
[KKR-5A1-RT](#)

For any questions, you can email us directly:  
[sales@integrated-circuit.com](mailto:sales@integrated-circuit.com)

PART NO.	HOLDING CAPACITY "A"	"B" ±.020 (0.5)	"C" ±.02 (0.5)	"D" AT. MAX CAPACITY REF.	DOUBLE SIDED ADHESIVE TAPE 1/16" THICK.
KKR-5A1-RT	.521 (13.2)	.750 (19.1)	.625 (15.9)	.680 (17.3)	RUBBER (RMS-102)



NOTES:

1. MATERIAL: RIGID PVC (RMS-04). ALSO AVAILABLE IN CLEAR PVC (RMS-32) BY SPECIAL ORDER.
2. COLOR: GRAY.
3. 1/16" (1.6) THICK RUBBER ADHESIVE TAPE (RMS-102), BLUE LINER.
4. CUSTOM LENGTHS AVAILABLE BY SPECIAL ORDER.

TYPICAL RELEASE TAB LOCATION

I	SEE ECN # 1235 FOR CHANGES	SK 10.17.06	TITLE: KWIK-KLIP, TYPE "R"		DWG IN IN (MM)	FINAL	PRINT TYPE
H	CHANGED NOTE 1, ADDED NOTES 3 & 4.	SJ 03.18.02	TOLERANCES UNLESS NOTED	FILE # KKR	DWN: S.M.	DT: 01/22/01	CA
G	REMOVED KKR-5A-RT	DLC 11.01.01	.XX=±.020	MAT'L: SEE NOTES	CHKD:	ENG:	
F	COMPLETELY RE-DRAWN	SM 07.23.01	.XXX=±.015	RE: RICHCO, INC.	RICHCO INC.		PART #
E	INCREASED HEIGHT "D"	DLC 7/10/01	FRAC=±1/32		ENG@RICHCO-INC.COM		KKR-5A1-RT
D	INCREASED LENGTH OF ENTRY LIP	DLC 4/30/01	ANG=±1°		(773) 539-4060		
C	RELEASED TO PRODUCTION	SM 04.17.01					
B	CHANGED P/N TO ...-5A AND ...-5A1	SM 04.17.01					
A	DIM. "B" WAS .780 (19.8)	SM 03.07.01					
REV	DESCRIPTION	ENGR DATE					