

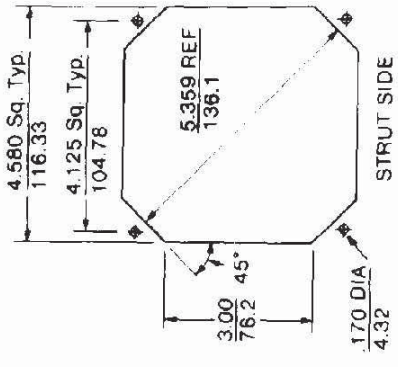
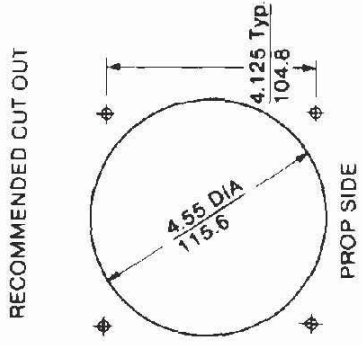
## Excellent Integrated System Limited

Stocking Distributor

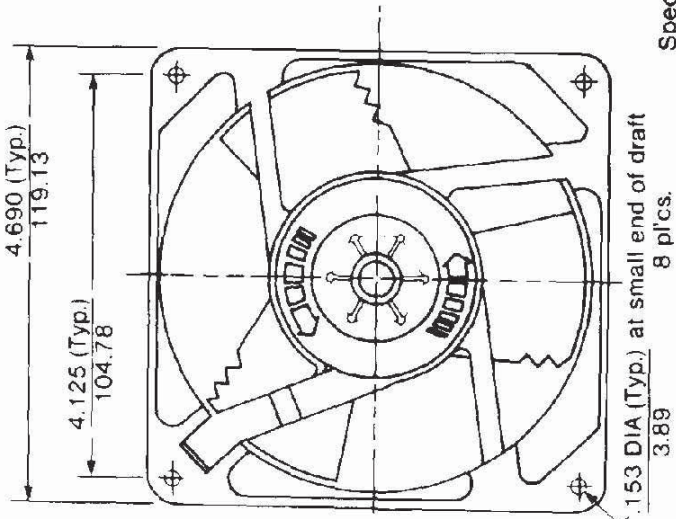
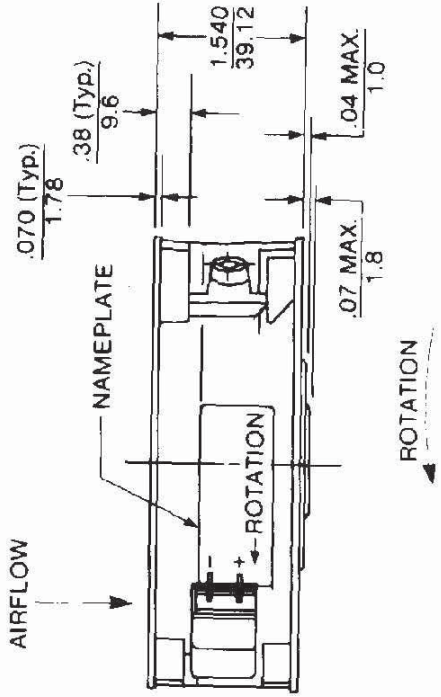
Click to view price, real time Inventory, Delivery & Lifecycle Information:

[Comair Rotron](#)  
[19030715A](#)

For any questions, you can email us directly:  
[sales@integrated-circuit.com](mailto:sales@integrated-circuit.com)



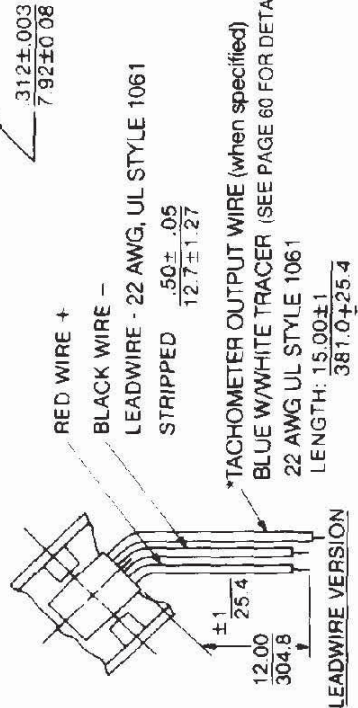
DIMENSIONS:	in	±	mm
TOLERANCES:	.xx	=	$\frac{.03}{0.8}$
	.xxx	=	$\frac{.010}{.25}$
ANGULAR ±2° (UNLESS NOTED)			



Specifications subject to change without notice.

\*TACHOMETER OUTPUT WIRE (when specified)

**TERMINAL VERSION**  
 TERMINALS:  
 .120 ± .002 / 3.05 ± 0.05 WIDE  
 .020 ± .001 / 0.51 ± 0.03 THICK  
 .300 ± .020 / 7.62 ± 0.51 LONG  
 (WILL FIT AMP SERIES 110 TERMINALS OR EQUIVALENT)



TACHOMETER OUTPUT WAVE FORM

CAUTION  
 1) ON ALL TACHOMETER MODELS THE THIRD WIRE MUST NOT BE APPLIED TO EITHER + OR - POWER LEADS  
 2) THIRD WIRE SENSOR'S GROUND REFERENCE MUST BE THE SAME AS THE FANS

\*AMPLITUDES UP TO NOMINAL OPERATING VOLTAGE OR OPEN COLLECTOR AVAILABLE CONSULT APPLICATION ENGINEERING