

Excellent Integrated System Limited

Stocking Distributor

Click to view price, real time Inventory, Delivery & Lifecycle Information:

[Amphenol RE](#)
[APH-HDBNCJ-J](#)

For any questions, you can email us directly:

sales@integrated-circuit.com

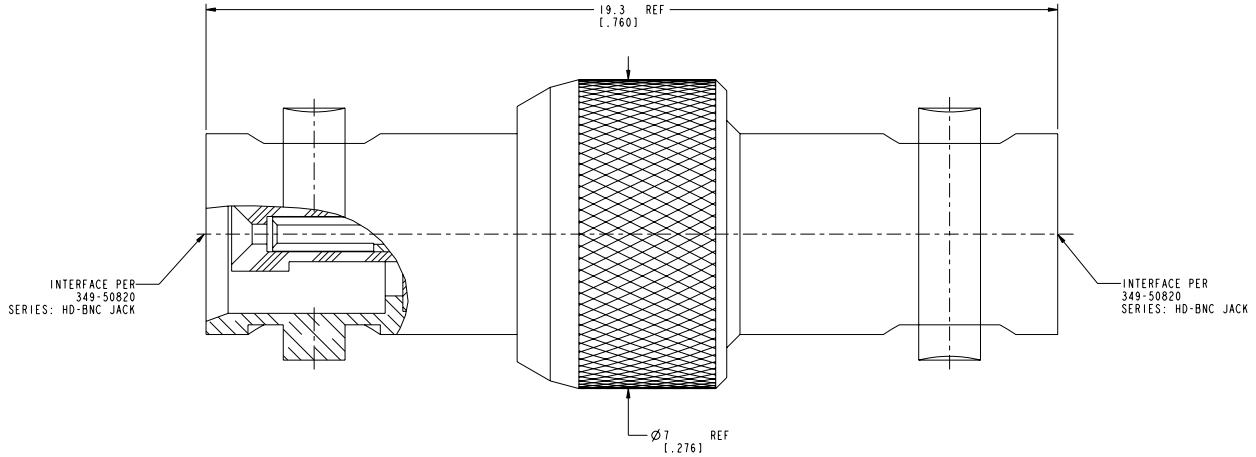
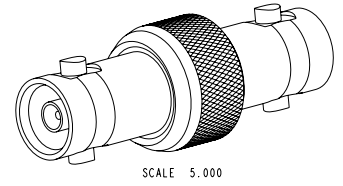
NOTES:

1. MATERIALS AND FINISHES:
 BODIES - BRASS, NICKEL PLATING
 CONTACT - BERYLLIUM COPPER, GOLD PLATING
 INSULATOR - PTFE, NATURAL
2. ELECTRICAL:
 A. IMPEDANCE: 75 OHM
 B. FREQUENCY RANGE: DC - 3 GHz
 C. RETURN LOSS: 30 dB MIN @ 3 GHz
3. MECHANICAL:
 A. DURABILITY: 500 CYCLES MIN.
 B. TEMPERATURE RANGE: -65° C TO +165° C
4. PACKAGING:
 A. QUANTITY: SINGLE PACK
 B. MARKING: BAG TO BE MARKED
 "AMPHENOL RF, APH-HDBNCJ-J, AND DATE CODE"

THIRD ANGLE PROJ.

REVISIONS

REV	DESCRIPTION	DATE	ECO	APPR
A	RELEASED TO MFG.	21-Oct-10	48164	TD



CUSTOMER OUTLINE DRAWING
 ALL OTHER SHEETS ARE FOR INTERNAL USE ONLY

UNLESS OTHERWISE SPECIFIED, DIMENSIONS ARE IN METRIC AND TOLERANCES ARE: $\pm 0.5mm$ ± 0.5 - 6mm $\pm 0.30mm$ $30 - 120mm$ ANGLES $\pm 0.05mm$ $\pm 0.1mm$ $\pm 0.2mm$ $\pm 0.3mm$ ± 1	MATERIAL	DRAWN	DATE	TITLE ADAPTOR, 75 OHM HD-BNC, JACK TO JACK	Amphenol RF Danbury CT USA, Tainan, Taiwan, Shenzhen, China www.amphenolrf.com	
	SEE NOTES	T. DENG	21-Oct-10			
NOTICE - These drawings, specifications, or other data (1) are, and remain the property of Amphenol Corp. (2) must be returned upon request; and (3) are confidential and not to be disclosed to any person other than those to whom they are given by Amphenol Corp. The furnishing of these drawings, specifications, or other data by Amphenol Corp., or to any other person to anyone for any purpose is not to be regarded by implication or otherwise in any manner licensing, granting rights to permitting such holder or any other person to manufacture, use or sell any product, process or design, patented or otherwise, that may in any way be related to or disclosed by said drawings, specifications, or other data.	REFERENCE	APPROVED	DATE	SCALE: 12.0:1.0 SHEET 2 OF 2	DRAWING NO. APH-HDBNCJ-J	
	EAR # 3967	S. HSIEH	22-Oct-10	DWG SIZE	ITEM NO. APH-HDBNCJ-J	
	CONFIGURATION LEVEL:	CAD FILE	Root Folder/HD-BNC/APH-HDBNCJ-J	B	REV	A
	FINISH					PART NO. APH-HDBNCJ-J