

## Excellent Integrated System Limited

Stocking Distributor

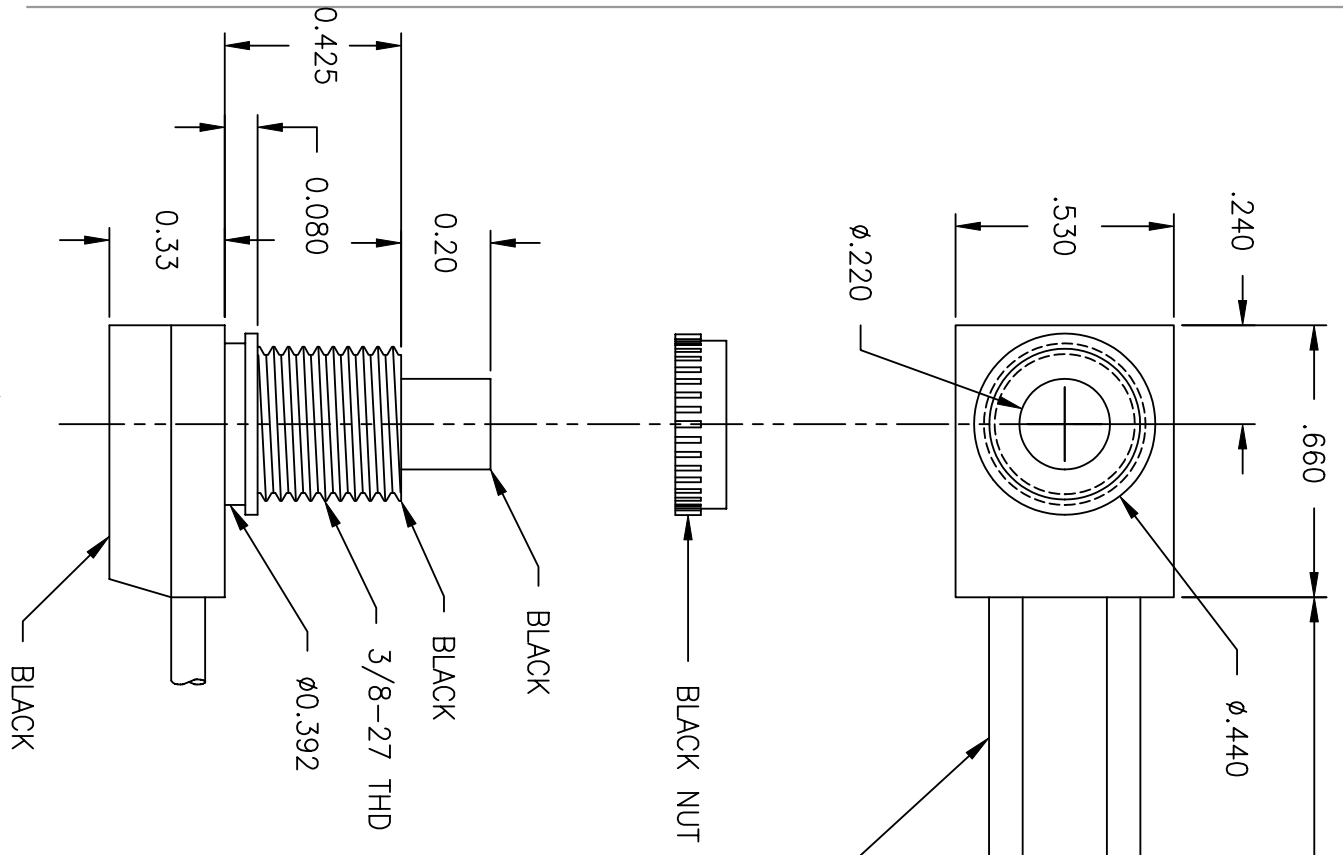
Click to view price, real time Inventory, Delivery & Lifecycle Information:

[Judco Manufacturing, Inc.](#)  
[40-2923-04](#)

For any questions, you can email us directly:

[sales@integrated-circuit.com](mailto:sales@integrated-circuit.com)

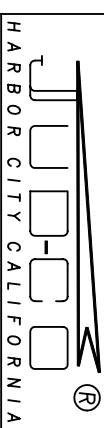
This document embodies a product, component, and/or design proprietary to JUDCO MANUFACTURING INC., and which is protected either as a trade secret, by U.S. Patent, or by copyright. It may not be used in any way without written express consent of JUDCO MANUFACTURING INC.



LTR	EN	DESCRIPTION	APPR	BY	DATE
A	-	INITIAL RELEASE	RB	EM	11-15-06

JUDCO INVENTORY NO. 40-2923-04  
 SWITCH TYPE: MOMENTARY, NORMALLY CLOSED  
 CUST PN: 40-2923-04-ND  
 NUT PACKED SEPARATELY

CUSTOMER: DIGI KEY  
 APPROVED BY: \_\_\_\_\_  
 DATE: \_\_\_\_\_

DIMENSIONS IN INCHES DIMENSIONS ARE REFERENCE		 <p>HARBOR CITY CALIFORNIA</p>
DRAWN: EM	11-15-06	
APPR: KU	11-15-06	
DWG. NO. 1415-1061		
SHEET 1 OF 1		