



Distributor of Molex Connector Corporation: Excellent Integrated System Limited
Datasheet of 0190080038 - Connector Quick Connect Receptacle 12-14 AWG 0.250"
(6.35mm) Crimp

Contact us: sales@integrated-circuit.com Website: www.integrated-circuit.com

Excellent Integrated System Limited

Stocking Distributor

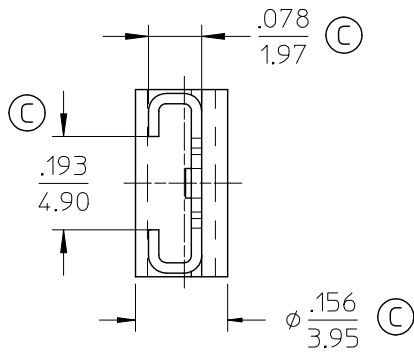
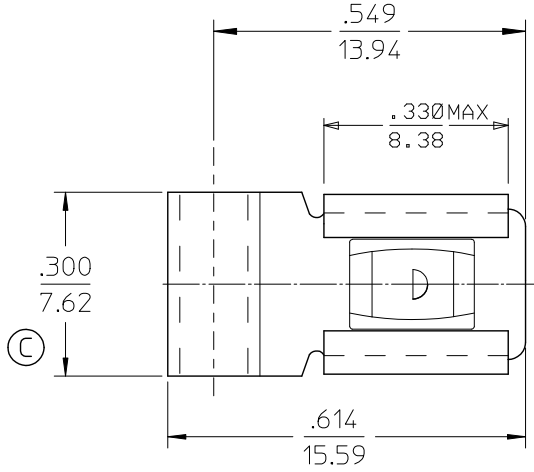
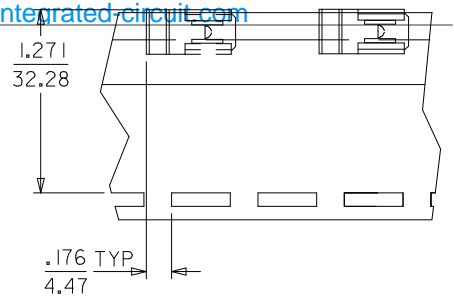
Click to view price, real time Inventory, Delivery & Lifecycle Information:

[Molex Connector Corporation](#)
[0190080038](#)

For any questions, you can email us directly:
sales@integrated-circuit.com

Contact us: Sales@integrated-circuit.com Website: www.integrated-circuit.com

MATERIAL NUMBER	ENGINEERING NUMBER	PLATING	CARRIER
I90080062	B-175P	NON-PLATED	LOOSE PIECE
I90080038	B-175	TIN PLATED	LOOSE PIECE
I90080039	B-175T	TIN PLATED	TAPE



SALES DRAWING

- NOTES:
- MATERIAL: BRASS
 - PLATING SEE CHART.
 - RoHS COMPLIANT

UPDATE DIM PER ENG EC NO: IPG2016-1554 DRWN: GRO JASO1 2016/05/18 CHKD: JMACNEIL 2016/05/18 APPR: JMACNEIL 2016/05/31	QUALITY SYMBOLS ▽=0 ▽=0	GENERAL TOLERANCES (UNLESS SPECIFIED)		DIMENSION STYLE IN/MM		SCALE ---	DESIGN UNITS INCH	THIRD ANGLE PROJECTION	
		4 PLACES	± ---	± ---	DRAWN BY JLOMASTRO	DATE 10/07/06	TITLE FLAG UNINSULATED KRIMPTITE 12-14 AWG .250 X .032 TAB SIZE		
		3 PLACES	± ---	± .010	CHECKED BY JMACNEIL	DATE 10/07/06			
		2 PLACES	± 0.25	± .010	APPROVED BY JMACNEIL	DATE 10/07/06	MOLEX INCORPORATED DOCUMENT NO. SD-19008-009		
1 PLACE	± 0.3	± ---	MATERIAL NO. SEE CHART		SHEET NO. 1 OF 1				
DRAFT WHERE APPLICABLE MUST REMAIN WITHIN DIMENSIONS		THIS DRAWING CONTAINS INFORMATION THAT IS PROPRIETARY TO MOLEX INCORPORATED AND SHOULD NOT BE USED WITHOUT WRITTEN PERMISSION							