

Excellent Integrated System Limited

Stocking Distributor

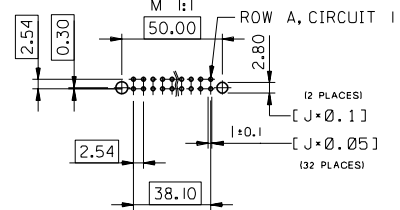
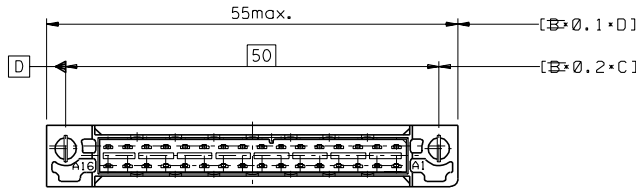
Click to view price, real time Inventory, Delivery & Lifecycle Information:

[Molex Connector Corporation](#)
[0850400012](#)

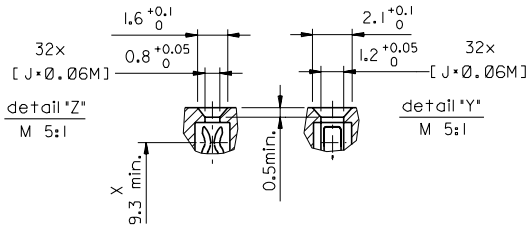
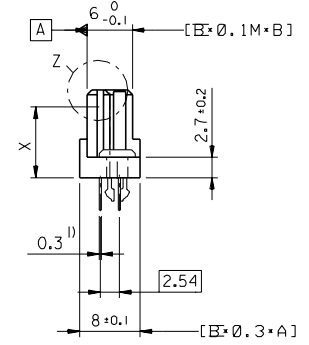
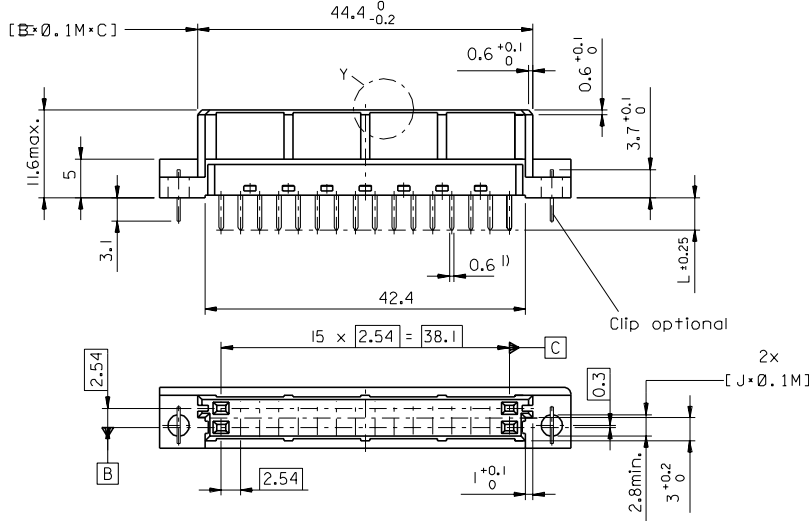
For any questions, you can email us directly:

sales@integrated-circuit.com

PCB LAYOUT: COMPONENT SIDE



l) tails to fit in PC-board layout



FIRST ANGLE PROJECTION

REVISE ONLY ON CAD SYSTEM

ECN: MG 9598-2727 new fixing clip 98-04-14 ca	REVISIONS FOR PREVIOUS REVISIONS SEE MR. LIST	UNLESS OTHERWISE SPECIFIED TOLERANCES: ANGULAR ±2°		DRAWN BY SIGN KN	SIGN	CAD/CAM PROJECT NAME 85040000 821	THIS DRAWING CONTAINS INFORMATION THAT IS PROPRIETARY TO MOLEX INC. & SHOULD NOT BE USED WITHOUT WRITTEN PERMISSION	SH.	REV.
		INCH	METRIC						
L	TR	3 PLACE ±	±	CHK'D BY SIGN Ca	SIGN	TITLE 32pos. Female connector DIN 41612 style B/2, with clip, Dimensions	SHEET NO. / DATE 1 OF 1 / 96/04/23	SIZE B	
		2 PLACE ±	±						
		1 PLACE ±	±	APP'D BY SIGN FB	SIGN	MOLEX MOLEX EUROPE	SCALE 2:1	PART NO. SDA-85040-0002	DWG. NO.
		DESIGN DIMENSION <input checked="" type="checkbox"/> MM <input type="checkbox"/> INL							
		EQUIVALENT DIMENSION <input type="checkbox"/> MM <input type="checkbox"/> INL		IF TWO DIMENSIONS ARE GIVEN, THE UPPER IS THE DESIGN DIMENSION, LOWER IS SECONDARY					

VIEW ON MATING SIDE

∞	A	A	A	A	A	A	A	A	A	A	A	A	A	A	A
∞	A	A	A	A	A	A	A	A	A	A	A	A	A	A	A

A = 32 CONTACTS L-2,9

Marking	Standard
Performance level	G2/0 = Contact area level2 / Termination fin
Flux proof	no
Fixing clip	no
Dimensions	SDA-85040-0002 sht.1
Technical Data	PS-85042-0001

A	G2/0	al-16	bl-16	Contact position number	
Contact symbol	Perform. level				

REVISIONS		FOR PREVIOUS REVISIONS SEE MRL LIST		REVISIONS	
ECN 2264	96-10-18 KN	Product spec.			
LTR					
UNLESS OTHERWISE SPECIFIED TOLERANCES: ANGULAR ±2°		INCH	METRIC	3 PLACE ±	
DRAFT WHERE APPLICABLE MUST REMAIN WITHIN DIMENSIONS		DESIGN DIMENSION		EQUIVALENT DIMENSION	
DRWG BY		CHK'D BY		APPR'D BY	
SIGN		SIGN		SIGN	
SCALE		DESIGN DIMENSION		EQUIVALENT DIMENSION	
CAD/CAM PROJECT NAME		THIS DRAWING CONTAINS INFORMATION THAT IS PROPRIETARY TO MOLEX, INC. & SHOULD NOT BE USED WITHOUT WRITTEN PERMISSION		SHEET NO. DATE	
TITLE		MOLEX PROJECT NAME		PART NO.	
32 pos. female connector acc. DIN 41612 style B/2 contacts arrangement		SDA-85040-0012		SDA-85040-0012	
MOLEX EUROPE		85040-0012		SDA-85040-0012	
1 OF 1		96/05/15		A	