

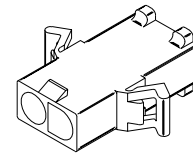
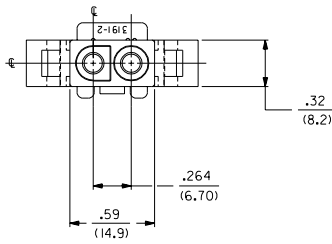
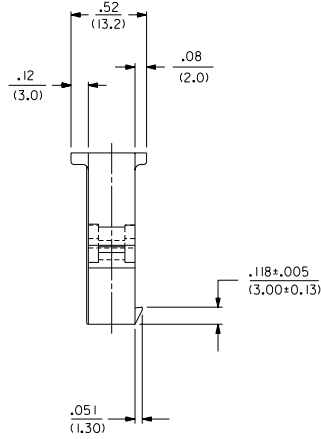
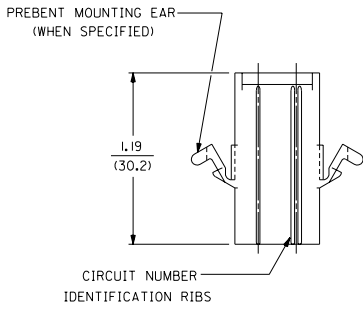
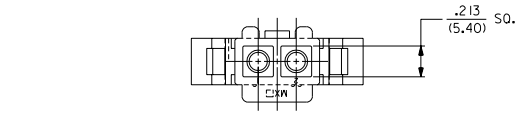
Excellent Integrated System Limited

Stocking Distributor

Click to view price, real time Inventory, Delivery & Lifecycle Information:

[Molex Connector Corporation](#)
[0019092029](#)

For any questions, you can email us directly:
sales@integrated-circuit.com



PLUG

E4	REVISED	UCR1988-0148	WANG 98-04-15
E3	ADD RAMP DIM'S	ECN #114 0293	3-1-94 RW
E2	X-REMOVE	ECR US 0001	CAC 12/30/92 RW
E1	REL. RED VERSIONS	ECR U1 2167	CAC 1/24/92 RW
E	REV. MATL. CODE	ECR # US9501	KBW 07-25-89 RW
D	REV. & REDRAWN	ECR UB 1850	GEP 11-21-88 RW
C	REV. LTR.		REVISIONS

DIMENSIONS SHOWN IN METRIC INCH		UNLESS OTHERWISE SPECIFIED		TOLERANCES IN MILLIMETERS	
3 PLACE	± .010	---	---	---	---
2 PLACE	± .014	± 0.25	---	---	---
1 PLACE	---	± 0.35	---	---	---
DRAFT WHERE APPLICABLE MUST REMAIN WITHIN DIMENSIONS					
DRG. BY: GEP	CHKD. BY: RW	SCALE: 2 : 1	FILE NAME: 531912X1	DATE: 10/21/88	TITLE: PLUG
APP'D. BY: RAS					
SEE CHART			PART NO. SD-3191-2*		
THIS DRAWING CONTAINS INFORMATION THAT IS PROPRIETARY TO MOLEX, INC. AND SHOULD NOT BE USED WITHOUT WRITTEN PERMISSION.					

3	E2
2	D
1	E4
SH.	REV.
LTR.	REVISIONS

NO P.S.

PLUG		RECEPTACLE	
PART NO.	ENG. NO.	PART NO.	ENG. NO.
I9-09-2028	3191-2P	I9-09-1029	3191-2R1
I9-09-2029	3191-2P1	I9-09-1026	3191-2R1-201
I9-09-2027	3191-2P-201	I9-09-1020	3191-2RIRD
I9-09-2026	3191-2P1-201	I9-09-1021	3191-2R1BU
I9-09-2020	3191-2PIRD		
I9-09-2021	3191-2P1BU		

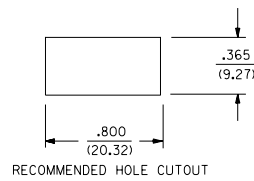
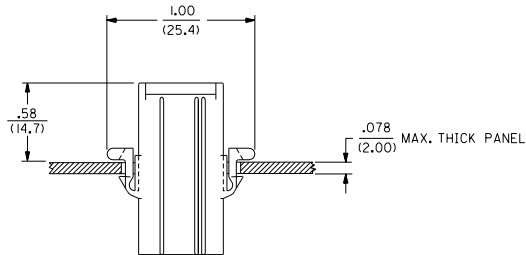
LEGEND:

3191-2*****
 CIRCUIT SIZE
 P = PLUG
 R = RECEPTACLE
 EARS: BLANK = WITH PREBENT EARS (PLUG ONLY)
 I = WITHOUT EARS

COLOR: BLANK = NATURAL COLOR

AM=AMBER BK=BLACK BU=BLUE
 BN=BROWN CY=GRAY GN=GREEN
 OR=ORANGE RD=RED YW=YELLOW

MATERIAL: BLANK=NYLON TYPE 6/6, 94V-2
 201=NYLON TYPE 6/6, 94V-0



NOTES:

1. THESE HOUSINGS FOR USE WITH MOLEX .093/(2.36) DIAMETER SERIES TERMINALS.

DIMENSIONS SHOWN (METRIC) INCH		UNLESS OTHERWISE SPECIFIED TOLERANCES ARE AS SHOWN	
INCH	METRIC	INCH	METRIC
3 PLACE ± .010	---	1 PLACE ± .010	---
2 PLACE ± .010	± 0.25	1 PLACE ± .010	± 0.35
1 PLACE ± .010	± 0.35		

DRAFT WHERE APPLICABLE MUST REMAIN WITHIN DIMENSIONS

DRG. BY: GEP	CHKD. BY: RW
APP'D. BY: RAS	SCALE: -- 1 --

FILE NAME: S31912X3.DGN	DATE: 11/21/88
TITLE: .093/(2.36) HOUSINGS PLUG AND RECEPTACLE 2 CKT., .264/(6.70) CTRS.	SHEET NO.: 3
MOLEX INCORPORATED	DATE: 11/21/88
SEE CHART	DRG. NO.: SD-3191-2*