

Excellent Integrated System Limited

Stocking Distributor

Click to view price, real time Inventory, Delivery & Lifecycle Information:

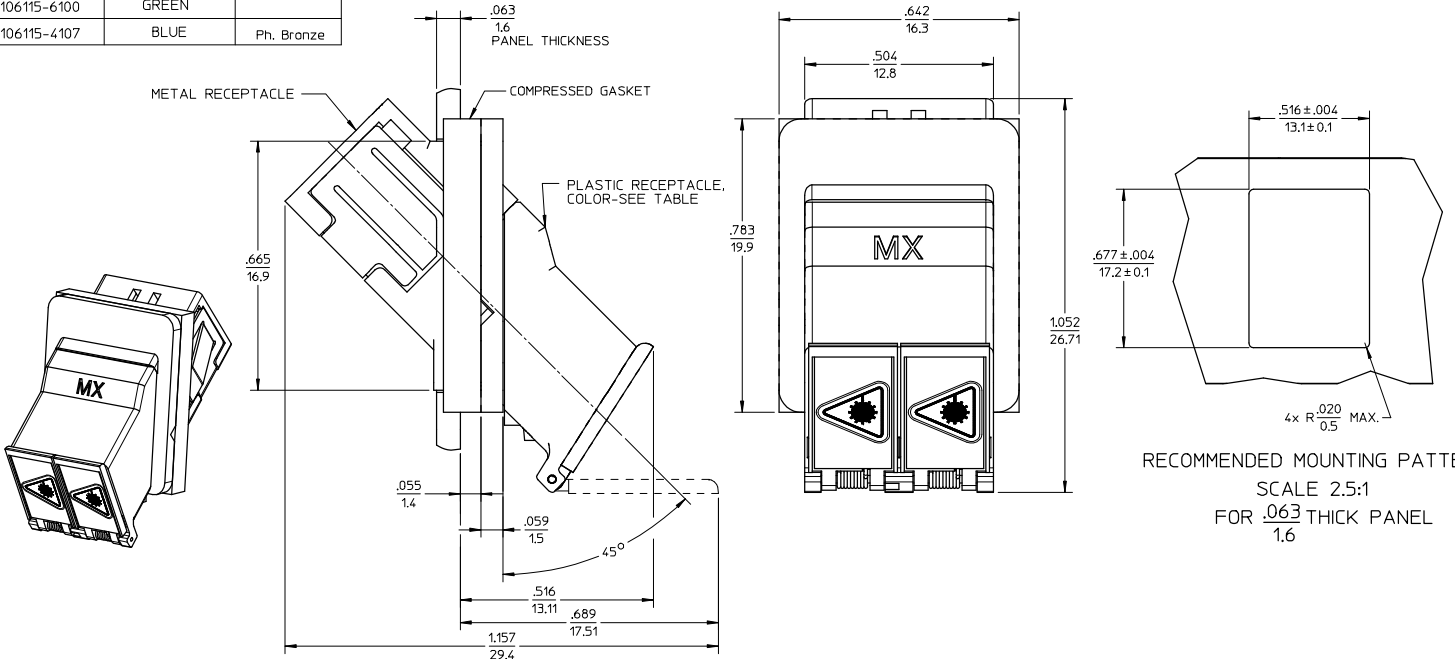
[Molex Connector Corporation](#)
[1061154100](#)

For any questions, you can email us directly:

sales@integrated-circuit.com

10 9 8 7 6 5 4 3 2 106115

ADAPTER P/N	PLASTIC RECEPTACLE COLOR	SPLIT SLEEVE MATERIAL
106115-4100	BLUE	Zr
106115-6100	GREEN	
106115-4107	BLUE	Ph. Bronze



RECOMMENDED MOUNTING PATTERN
 SCALE 2.5:1
 FOR .063 THICK PANEL
 1.6

- NOTES:
- DIMENSIONS SHOWN ARE FOR REFERENCE ONLY.
 - CONDUCTIVE FABRIC OVER FOAM GASKET (SHOWN COMPRESSED) IS SUPPLIED WITH THE PART.
 - LC DUPLEX WASH CAP NOT SHOWN.
 - ADAPTERS TO BE PACKAGED IN TRAY.

ENTER DESCRIPTION ELC NO: ME2008-0344 DRAWN/REVZNER 2008/02/22 CHKD: 2008/07/22 APPR: GJM/JN 2008/07/22 REV A1	QUALITY SYMBOLS ▽=0 ▽=0	GENERAL TOLERANCES (UNLESS SPECIFIED) mm INCH 4 PLACES ± --- ± --- 3 PLACES ± --- ± --- 2 PLACES ± --- ± --- 1 PLACE ± --- ± --- ANGULAR ±1/2°	DIMENSION STYLE IN/MM DRAWN BY PGIBLIN DATE 2005/12/09 CHECKED BY DATE APPROVED BY DATE	SCALE 4:1 DESIGN UNITS INCH THIRD ANGLE PROJECTION	
	DRAFT WHERE APPLICABLE MUST REMAIN WITHIN DIMENSIONS		MATERIAL NO. SEE TABLE SIZE B	TITLE LC-D EMI ADAPTER, 45 DEGREE (SNAP MOUNT) MOLEX INCORPORATED DOCUMENT NO. SD-106115-Y10Y SHEET NO. 1 OF 1	
	THIS DRAWING CONTAINS INFORMATION THAT IS PROPRIETARY TO MOLEX INCORPORATED AND SHOULD NOT BE USED WITHOUT WRITTEN PERMISSION				

1b_frame_B_P_AM.T Rev. D 2004/06/28 9 8 7 6 5 4 3 2 1