

Excellent Integrated System Limited

Stocking Distributor

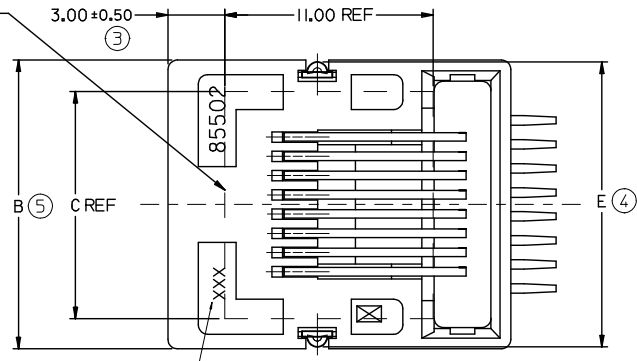
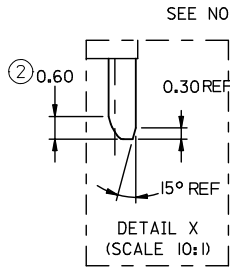
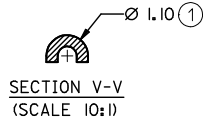
Click to view price, real time Inventory, Delivery & Lifecycle Information:

[Molex Connector Corporation](#)
[0855025012](#)

For any questions, you can email us directly:

sales@integrated-circuit.com

10 9 8 7 6 5 4 3 2 1



NOTES:

1- MATERIAL:

HOUSING: LCP GLASS FILLED UL 94V0, COLOUR: BLACK
 TERMINAL: COPPER ALLOY PLATED WITH:
 BASE FINISH: NICKEL
 CONTACT SURFACE FINISH:
 GOLD
 OR
 GOLD FLASH OVER PALLADIUM NICKEL.
 EXCEEDS PRODUCT REQUIREMENTS BASED ON PS-95501

SOLDER PEGS: COPPER ALLOY PLATED WITH TIN.

2- JACK FOR MATING WITH IEC 60603-7 & TIA-1096-A PLUGS (MOLEX 90075 SERIES).

3- PRODUCT SPECIFICATION: MOLEX PS-95501

4- POLYIMIDE ADHESIVE TAPE FOR PICK & PLACE SURFACE. THICKNESS: 125 μm

5- PACKAGING SPECIFICATION: MOLEX PK-85502. (BLISTER PACKAGING).

6- COPLANARITY OF SIGNAL LEADS: 0.10

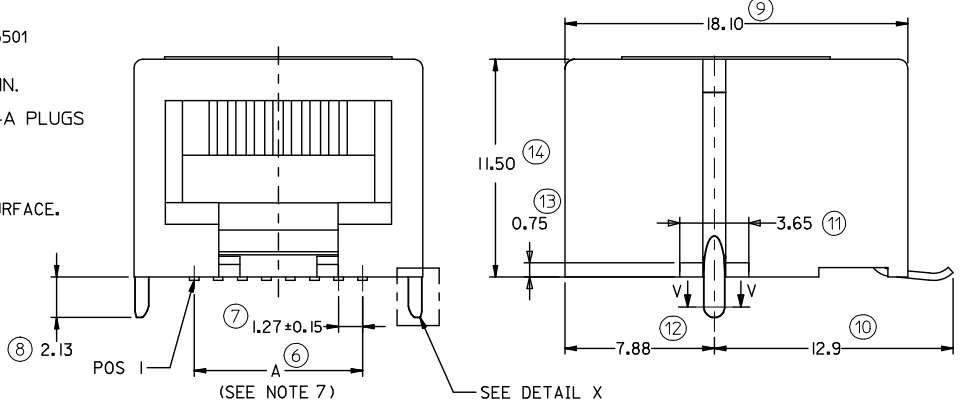
7- SEE DIMENSIONS IN CHART ON SHEET 2.

8- P.C. BOARD THICKNESS: 1.57

9- MANUFACTURING I.D. CAN BE EITHER MG, MXF OR MXI.

10- APPLICATION SPEC: AS-85513-001

LAST INSPECTION NUMBER: 14



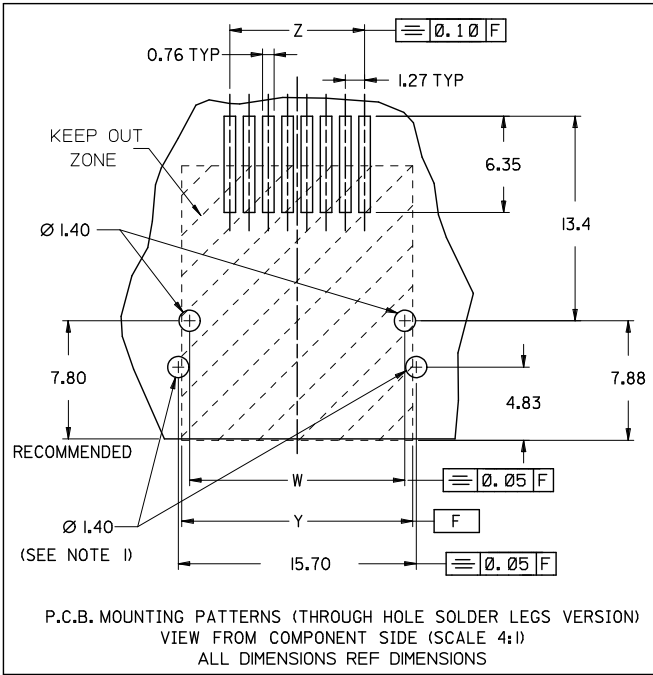
CHANGED PROD SPEC IEC NO: IPG2013-0771 DRAWN BY: BYRNES 2012/11/23 CHKD: STGRIFFIN 2012/12/13 APPR: STGRIFFIN	QUALITY SYMBOLS	GENERAL TOLERANCES (UNLESS SPECIFIED)		DIMENSION STYLE		SCALE	DESIGN UNITS	THIRD ANGLE PROJECTION
	▽=0	mm	INCH	MM ONLY		5:1	METRIC	☉
	▽=0	4 PLACES ± --- ± ---	3 PLACES ± --- ± ---	DRAWN BY	DATE	TITLE		
		2 PLACES ± 0.25 ± ---	1 PLACE ± 0.35 ± ---	DB	2006/06/12	R/A LOW PROFILE P.C.JACK		
	ANGULAR ± 2 °	DRAFT WHERE APPLICABLE MUST REMAIN WITHIN DIMENSIONS		SEE CHART SHT 2	2006/06/15	SMT; 4,6 & 8 CKTS WITH THROUGH HOLE SOLDER PEGS		
				MATERIAL NO.	DATE	MOLEX INCORPORATED		
				SIZE	2006/06/15	MOLEX INCORPORATED		
				SEE CHART SHT 2		DOCUMENT NO.	SD-85502-103	
				THIS DRAWING CONTAINS INFORMATION THAT IS PROPRIETARY TO MOLEX INCORPORATED AND SHOULD NOT BE USED WITHOUT WRITTEN PERMISSION		SHEET NO.	1 OF 2	

9 8 7 6 5 4 3 2 1

10 9 8 7 6 5 4 3 2 1

NOTES

- 1 : TWO OPTIONAL HOLES FOR THE 8 POSITION-VERSION FOR THE COMPATIBILITY WITH THE INTERNAL SHIELDED VERSION.
- 2 : PLATING SEE SHEET ONE



PART NUMBERS FOR SMT JACK WITH THROUGH HOLE SOLDER PEGS									
STANDARD VERSION	HOUSING COLOR	POS 4		POS 6		POS 6		POS 8	
		4 CKTS	TOOLED	4 CKTS	TOOLED	6 CKTS	TOOLED	8 CKTS	TOOLED
	BLACK	85502-5009	X	85502-5010	X	85502-5011	X	85502-5012	X

TYPE	POS 4	POS 6		POS 8
	4 CKTS	4 CKTS	6 CKTS	8 CKTS
A ±0.15	3.81	3.81	6.35	8.89
B	11.18	13.21	13.21	15.24
C (REF)	8.50	8.50	8.50	12.00
E	11.08	13.11	13.11	15.14
W ±0.05	10.13	12.16	12.16	14.19
Y (REF)	11.18	13.21	13.21	15.24
Z ±0.05	3.81	3.81	6.35	8.89

SEE SHEET 1 EC NO: IFG2012-0691 DRAWN BY: RYANES 2012/04/02 CHKD BY: MAHER 2012/04/17 APPR: EFULAN 2012/06/26	QUALITY SYMBOLS	GENERAL TOLERANCES (UNLESS SPECIFIED)	DIMENSION STYLE	SCALE	DESIGN UNITS	THIRD ANGLE PROJECTION	
	▽=0	mm INCH	MM ONLY	5:1	METRIC	☉	
	▽=0	4 PLACES ± --- ± ---	DRAWN BY DATE	DB 2006/06/12	TITLE		
		3 PLACES ± --- ± ---	CHECKED BY DATE	EOMAHONY 2006/06/15	RIGHT ANGLE LOW PROFILE SMT PC JACK WITH THROUGH HOLE SOLDER PEGS		
	2 PLACES ± 0.25 ± ---	APPROVED BY DATE	EOMAHONY 2006/06/15	MOLEX INCORPORATED			
	1 PLACE ± 0.35 ± ---	MATERIAL NO.	SEE CHART	DOCUMENT NO.	SD-85502-103		
	ANGULAR ± 2 °	DRAFT WHERE APPLICABLE MUST REMAIN WITHIN DIMENSIONS	SIZE	THIS DRAWING CONTAINS INFORMATION THAT IS PROPRIETARY TO MOLEX INCORPORATED AND SHOULD NOT BE USED WITHOUT WRITTEN PERMISSION			
			A 3	SHEET NO. 2 OF 2			

9 8 7 6 5 4 3 2 1