

## Excellent Integrated System Limited

Stocking Distributor

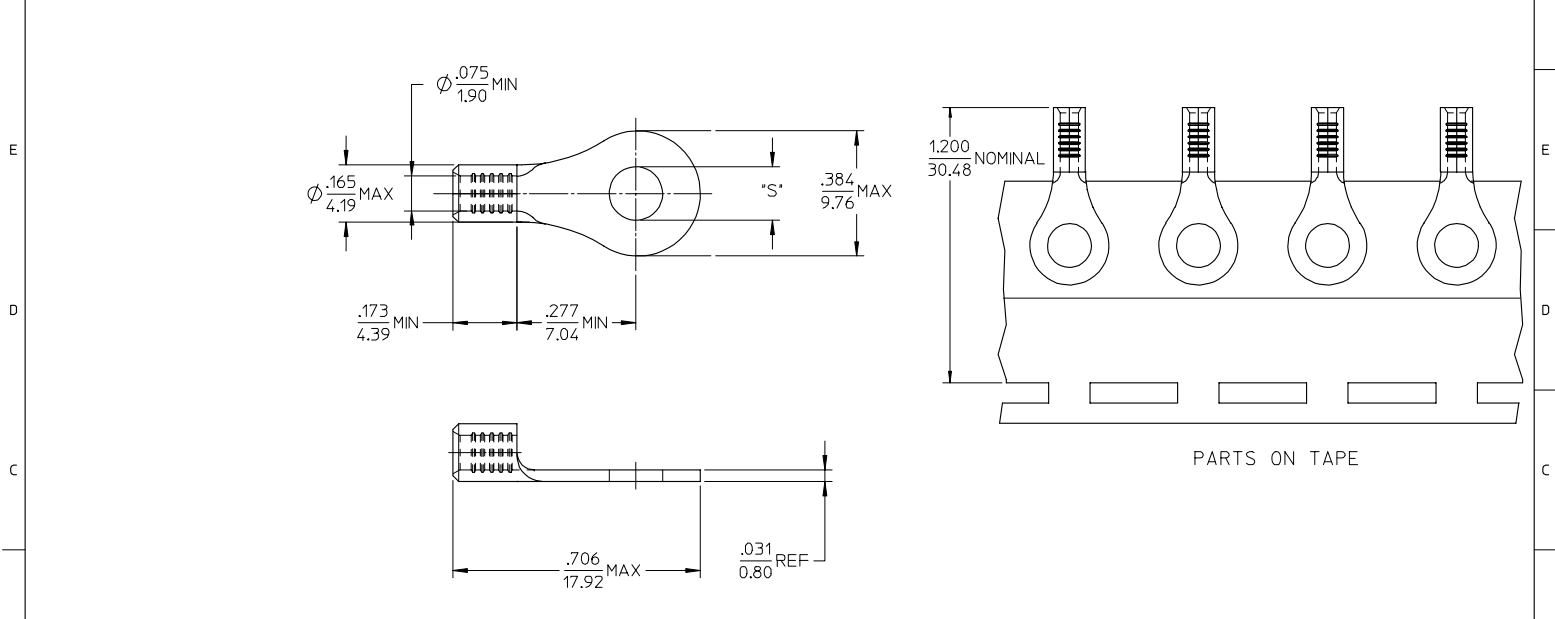
Click to view price, real time Inventory, Delivery & Lifecycle Information:

[Molex Connector Corporation](#)  
[0192030052](#)

For any questions, you can email us directly:

[sales@integrated-circuit.com](mailto:sales@integrated-circuit.com)

10	9	8	7	6	5	4	3	2	19203
MATERIAL NO.	ENG. NO.	STUD SIZE	"S" MAX	DESCRIPTION					
192030388	B-S-137-10	10	.212/5.38	LOOSE					
192030052	B-S-137-10T	10	.212/5.38	TAPE					



- NOTE(S):
1. MATERIAL: STEEL
  2. WIRE SIZE: 16-14 AWG (1.5-2.5 MM<sup>2</sup>)
  3. FINISH: NICKEL PLATING
  4. PART IS ROHS COMPLIANT.
  5. AMBIENT OPERATING TEMPERATURE UP TO 900 °F (483 °C).

ADDED OPERATING TEMP EC NO: ETC2007-0297 FIDRINSHILLE 2007/03/13 CHYKD-JIMACNEIL 2007/03/13 APPR: JIMACNEIL 2007/03/14	QUALITY SYMBOLS ▽=0 ▽=0	GENERAL TOLERANCES (UNLESS SPECIFIED)		DIMENSION STYLE	SCALE	DESIGN UNITS	THIRD ANGLE PROJECTION	
		mm	INCH	IN/MM	4:1	INCH		
		4 PLACES	±---	±---	DRAWN BY	DATE	TITLE	
		3 PLACES	±---	±---	DMYRICK	2005/04/06	RING TONGUE TERMINAL, 16-14 AWG, KRIMPTITE, 900 DEG F (483 DEG C)	
2 PLACES	±---	±---	CHECKED BY	DATE	MOLEX INCORPORATED			
1 PLACE	±---	±---	RDEROSS	2005/04/06				
ANGULAR		±---	APPROVED BY	DATE				
			RDEROSS	2005/04/06				
DRAFT WHERE APPLICABLE MUST REMAIN WITHIN DIMENSIONS		SEE CHART		MATERIAL NO.	DOCUMENT NO.	SHEET NO.		
		SIZE B			SD-19203-017	1 OF 1		
THIS DRAWING CONTAINS INFORMATION THAT IS PROPRIETARY TO MOLEX INCORPORATED AND SHOULD NOT BE USED WITHOUT WRITTEN PERMISSION								