

## Excellent Integrated System Limited

Stocking Distributor

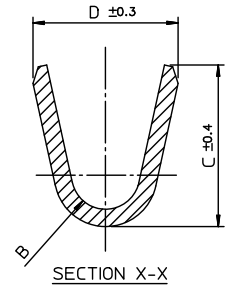
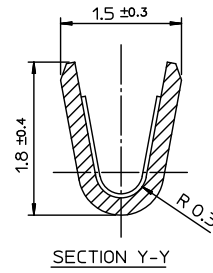
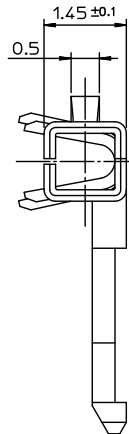
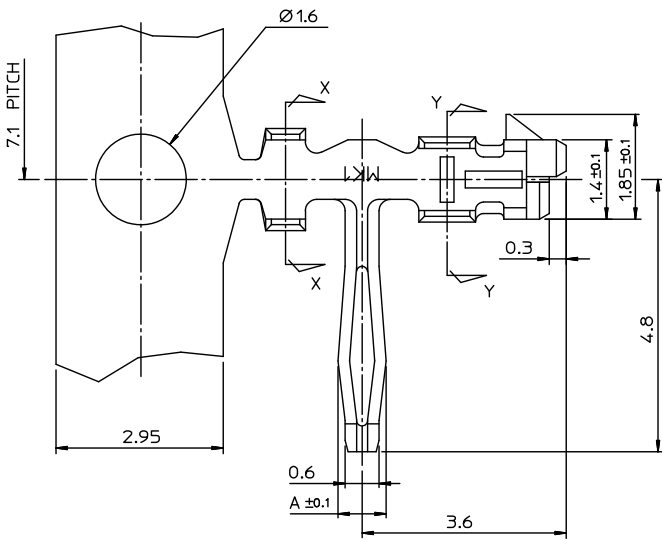
Click to view price, real time Inventory, Delivery & Lifecycle Information:

[Molex Connector Corporation](#)  
[0350211201](#)

For any questions, you can email us directly:

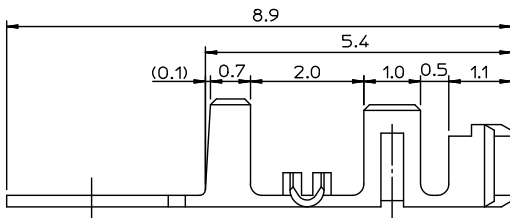
[sales@integrated-circuit.com](mailto:sales@integrated-circuit.com)

10 9 8 7 6 5 4 3 2 1



**NOTE**

1. MATERIAL
  - 1) BRASS (CDA 260)
  - 2) PHOSPHOR BRONZE (CDA 510)
2. PLATING
  - 1) PRE PLATED - TIN OVER COPPER
  - 2) POST PLATED - TIN/LEAD OVER COPPER
3. USED HOUSING : 35022-00\*\*/35023-00\*\*/68418-\*\*\*00
- ④ 4. CAMBER : 30/1,000 MAX.



POST-PLATED	PHOS. BRON.	AWG #24-#30 (INS. DIA: $\varnothing$ 1.5 MAX.)	1.8	1.9	R0.4	0.85	350211310	35021-1310
PRE-PLATED	PHOS. BRON.	AWG #22-#28 (INS. DIA: $\varnothing$ 1.9 MAX.)	2.5	2.5	R0.7	1.05	350211301	35021-1301
	BRASS						350211201	35021-1201
POST-PLATED	PHOS. BRON.	AWG #22-#28 (INS. DIA: $\varnothing$ 1.9 MAX.)	2.5	2.5	R0.7	1.05	350211101	35021-1101
	BRASS						350211001	35021-1001
POST-PLATED	PHOS. BRON.						350211110	35021-1110

REVISED	EC NO: KOR2011-0132	DATE: 2011/05/24
DRWN: SINGHYK/00	CHKD: SODK/1M	DATE: 2011/05/24
APPR: SUNS/IKK/1M		DATE: 2011/06/03

QUALITY SYMBOLS	DESCRIPTION
$\nabla=0$	
$\nabla=0$	

GENERAL TOLERANCES (UNLESS SPECIFIED)	DIMENSION STYLE	SCALE	DESIGN UNITS	THIRD ANGLE PROJECTION
mm INCH	MM ONLY	15:1	METRIC	
4 PLACES ± --- ± ---	DRAWN BY	TITLE		
3 PLACES ± --- ± ---	HSSHIN	R/A B-IN TERMINAL		
2 PLACES ± --- ± ---	CHECKED BY	MOLEX INCORPORATED		
1 PLACE ± 0.3 ± ---	JKOH	MATERIAL NO. SD-35021-001		
ANGULAR ± 1 °	APPROVED BY	DOCUMENT NO.		
		SHEET NO. 1 OF 1		

9 8 7 6 5 4 3 2 1