

## Excellent Integrated System Limited

Stocking Distributor

Click to view price, real time Inventory, Delivery & Lifecycle Information:

[Molex Connector Corporation](#)  
[0522071260](#)

For any questions, you can email us directly:

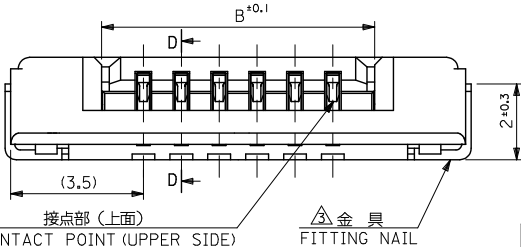
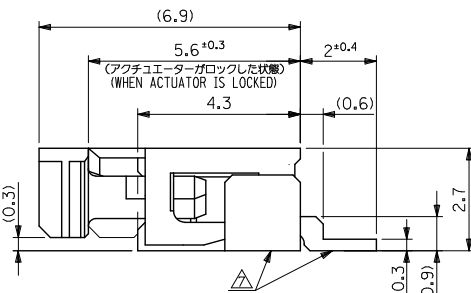
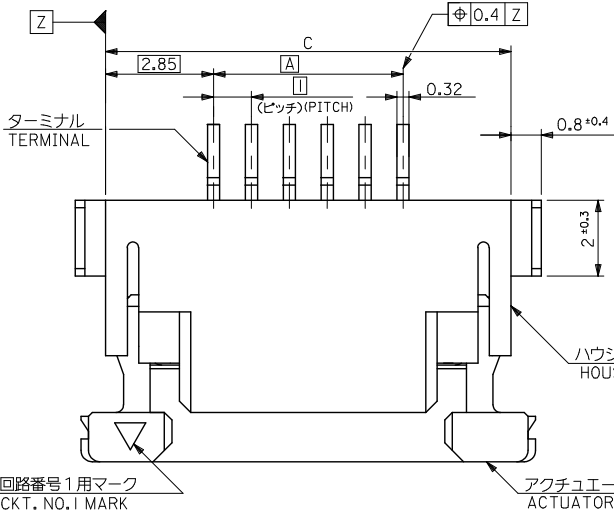
[sales@integrated-circuit.com](mailto:sales@integrated-circuit.com)

10 9 8 7 6 5 4 3 2 1

**注記 NOTES**

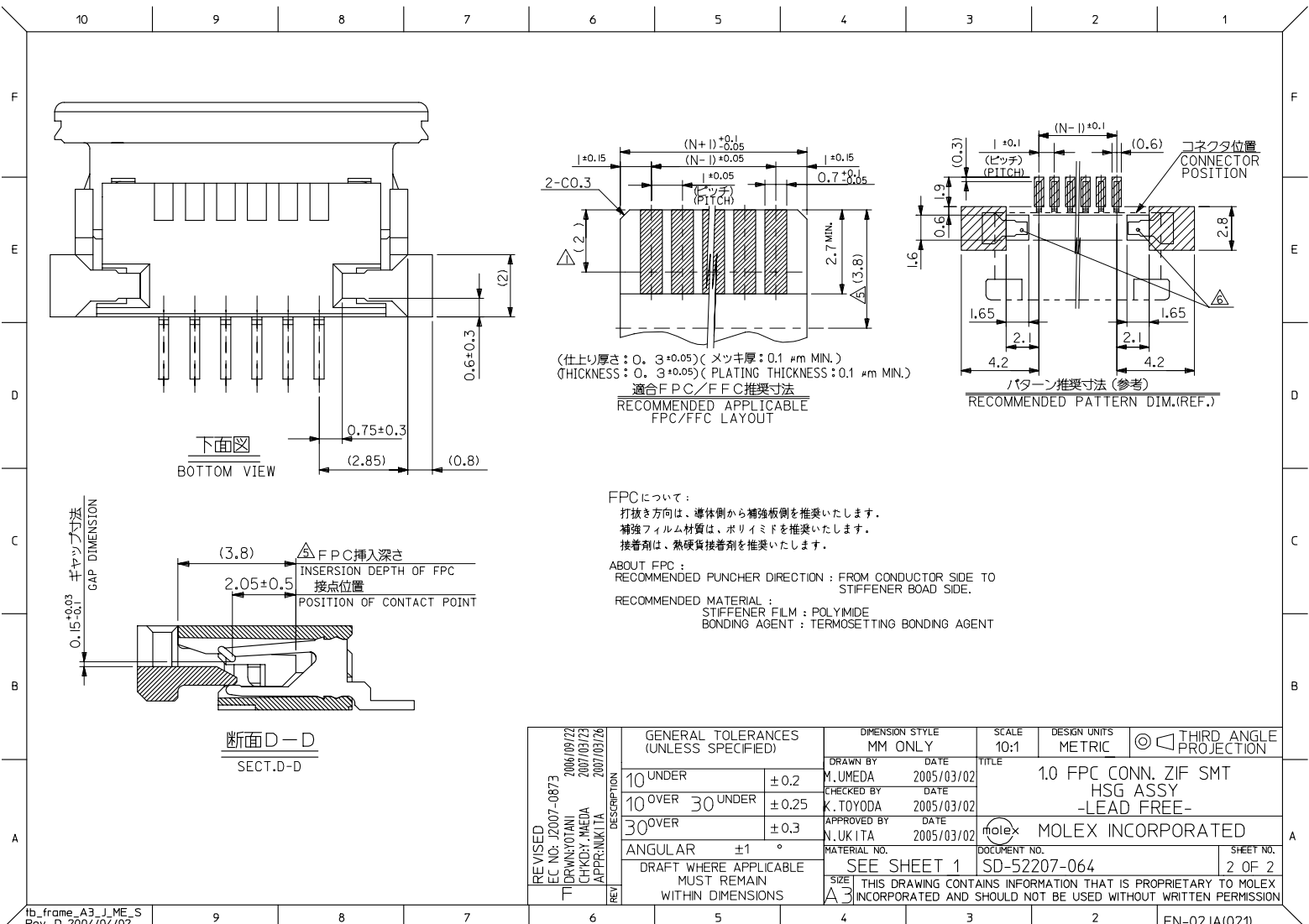
- △ 接点部までの嵌合長さ。  
MATING LENGTH TO CONTACT POINT.
- 2. 使用材料 MATERIAL : 46ナイロン (耐熱性), UL94V-0  
ハウジング : HEAT-RESISTANT NYLON46, UL94V-0  
アクチュエータ : PPS, UL94V-0  
アクチュエータ : PPS, UL94V-0  
ターミナル : リン青銅 (t=0.32)  
メッキ :  
コンタクト部 : 金メッキ 0.1マイクロメートル以上  
テール部 : 錫メッキ 1.0マイクロメートル以上  
下地メッキ : ニッケル 1.0マイクロメートル以上
- TERMINAL : PHOS-BRO.(t=0.25)  
PLATED  
CONTACT AREA : GOLD PLATED 0.1MICROMETER MIN.  
TAIL AREA : TIN PLATED 1.0MICROMETER MIN.  
OVER PLATED : NICKEL PLATED 1.0MICROMETER MIN.
- 金具 : 銅合金 (t=0.25)  
メッキ : 錫メッキ 1マイクロメートル以上  
下地メッキ : ニッケル 1マイクロメートル以上
- FITTING NAIL : PHOS-BRO.(t=0.25)  
PLATED  
FITTING NAIL FOR PREVENTION OF FOOT PRINT PEELING.
- △ パターンはくり止め用金具  
FITTING NAIL FOR PREVENTION OF FOOT PRINT PEELING.

- 4. エンボステープ梱包時は、アクチュエータがロックした状態とする。  
ACTUATOR TO BE LOCKED IN EMBOSSED TAPE PACKAGE.
- △ FPC挿入深さ  
INSERTION DEPTH OF FPC.
- △ パターン書き込み禁止エリア。  
NO FOOT PRINT AREA.
- △ テール及び金具の平坦度は、.05以下とする。  
COPLANARITY OUT OF SPECIFICATION.  
TAIL : 0.05 MAX.  
NAIL : 0.05 MAX.
- 8. 本製品は 52207-\*\*-19 の鉛フリー品である。  
THIS PRODUCT IS GOLD PLATING OF 52207-\*\*-19.



34.7	31.2	29	52207-3067	30
33.7	30.2	28	52207-2967	29
32.7	29.2	27	52207-2867	28
31.7	28.2	26	52207-2767	27
30.7	27.2	25	52207-2667	26
29.7	26.2	24	52207-2567	25
28.7	25.2	23	52207-2467	24
27.7	24.2	22	52207-2367	23
26.7	23.2	21	52207-2267	22
25.7	22.2	20	52207-2167	21
24.7	21.2	19	52207-2067	20
23.7	20.2	18	52207-1967	19
22.7	19.2	17	52207-1867	18
21.7	18.2	16	52207-1767	17
20.7	17.2	15	52207-1667	16
19.7	16.2	14	52207-1567	15
18.7	15.2	13	52207-1467	14
17.7	14.2	12	52207-1367	13
16.7	13.2	11	52207-1267	12
15.7	12.2	10	52207-1167	11
14.7	11.2	9	52207-1067	10
13.7	10.2	8	52207-0967	9
12.7	9.2	7	52207-0867	8
11.7	8.2	6	52207-0767	7
10.7	7.2	5	52207-0667	6
9.7	6.2	4	52207-0567	5
8.7	5.2	3	52207-0467	4
7.7	4.2	2	52207-0367	3
C	B	A	MATERIAL NO.	極数
			MODEL NO. 52207-**-67	CIRCUITS

REVISED EC NO. J2007-0873 DRAWN BY OTANI CHKD BY MEDA APPROVED BY UKITA REV	DESCRIPTION 2006/09/22 2007/03/23 2007/03/26	GENERAL TOLERANCES (UNLESS SPECIFIED)		DIMENSION STYLE		SCALE	DESIGN UNITS	THIRD ANGLE PROJECTION		
				MM ONLY		10:1	METRIC			
		10 UNDER	±0.2	DRAWN BY	DATE	TITLE				
		10 OVER 30 UNDER	±0.25	M.UMEDA	2005/03/02	1.0 FPC CONN. ZIF SMT HSG ASSY -LEAD FREE-				
30 OVER	±0.3	CHECKED BY	DATE	MOLEX INCORPORATED						
ANGULAR ±1°		APPROVED BY	DATE	DOCUMENT NO.						
DRAFT WHERE APPLICABLE MUST REMAIN WITHIN DIMENSIONS		N.UKITA	2005/03/02	SD-52207-064						
		SEE CHART		SHEET NO.						
		SIZE THIS DRAWING CONTAINS INFORMATION THAT IS PROPRIETARY TO MOLEX INCORPORATED AND SHOULD NOT BE USED WITHOUT WRITTEN PERMISSION		1 OF 2						

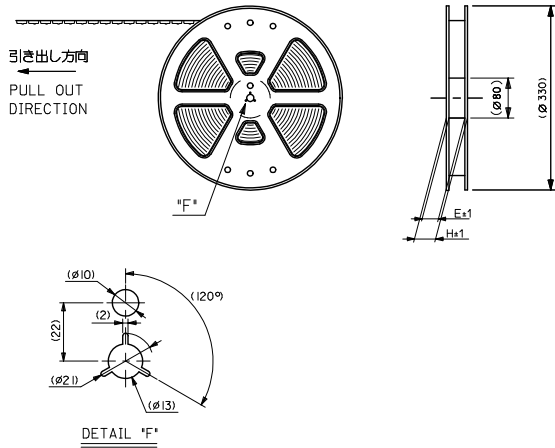


FPCについて:  
 打抜き方向は、導体側から補強板側を推奨いたします。  
 補強フィルム材質は、ポリイミドを推奨いたします。  
 接着剤は、熱硬化接着剤を推奨いたします。

ABOUT FPC :  
 RECOMMENDED PUNCHER DIRECTION : FROM CONDUCTOR SIDE TO STIFFENER BOARD SIDE.  
 RECOMMENDED MATERIAL :  
 STIFFENER FILM : POLYIMIDE  
 BONDING AGENT : THERMOSETTING BONDING AGENT

REVISED EC NO: J2007-0873 DRAWN: YOTANI 2006/09/22 CHECKED: MAEDA 2007/03/23 APPR: UKITA 2007/03/26	GENERAL TOLERANCES (UNLESS SPECIFIED)		DIMENSION STYLE MM ONLY	SCALE 10:1	DESIGN UNITS METRIC	THIRD ANGLE PROJECTION
	10 UNDER ±0.2 10 OVER 30 UNDER ±0.25 30 OVER ±0.3	ANGULAR ±1° DRAFT WHERE APPLICABLE MUST REMAIN WITHIN DIMENSIONS	DRAWN BY DATE M.UMEDA 2005/03/02 CHECKED BY DATE K.TOYODA 2005/03/02 APPROVED BY DATE N.UKITA 2005/03/02	TITLE 1.0 FPC CONN. ZIF SMT HSG ASSY -LEAD FREE-		
	MATERIAL NO. SEE SHEET 1		DOCUMENT NO. SD-52207-064		MOLEX INCORPORATED	SHEET NO. 2 OF 2
	SIZE A3 THIS DRAWING CONTAINS INFORMATION THAT IS PROPRIETARY TO MOLEX INCORPORATED AND SHOULD NOT BE USED WITHOUT WRITTEN PERMISSION					

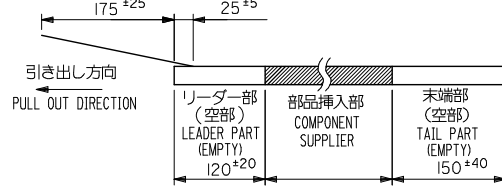
10 9 8 7 6 5 4 3 2 1



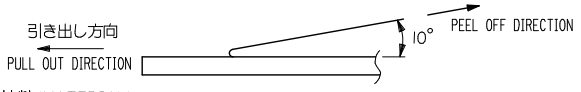
**注記**

- 製品番号 52207-\*\*-67 の梱包状態はアクチュエータがロックした状態とする。  
詳細寸法については図面 SD-52207-064 を参照下さい。  
IN THE PACKAGE, ACTUATOR OF PART NO.52207-\*\*-67 SHOULD BE LOCKED  
RE DETAILED DIMENSIONS, SEE SD-52207-064
- 梱包数量: 1000個/リール  
NUMBER OF CONNECTORS: 1000PCS/REEL
- リードテープ長さ(LEAD TAPE LENGTH)

トップテープ TOP TAPE      トップテープ TOP TAPE  
リーダー部 LEADER PART      未接着部 NON-BONDED PART



- トップテープの剥離強度: 0.1~1.3N (10gf~130gf) (剥離方向は下図参照) 尚、本規格値は、出荷時に適用。(但し、輸送時に剥離が発生しない事。)  
PEELING OFF FORCE OF TOP TAPE: 0.1~1.3N (10gf~130gf)  
THIS REQUIREMENT SHOULD BE APPLIED AT SHIPMENT. (PEEL OFF DIRECTION AS SHOWN IN FOLLOWING FIG.)  
DURING TRANSPORTATION.)



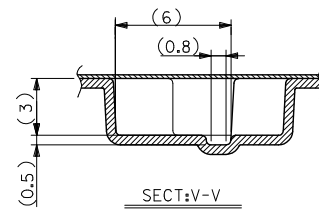
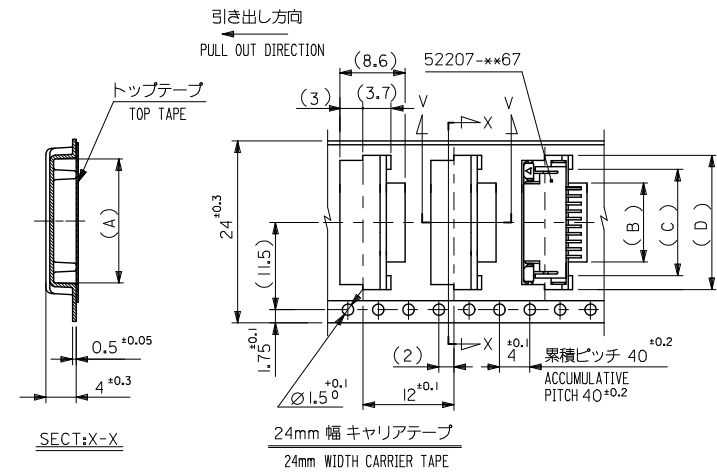
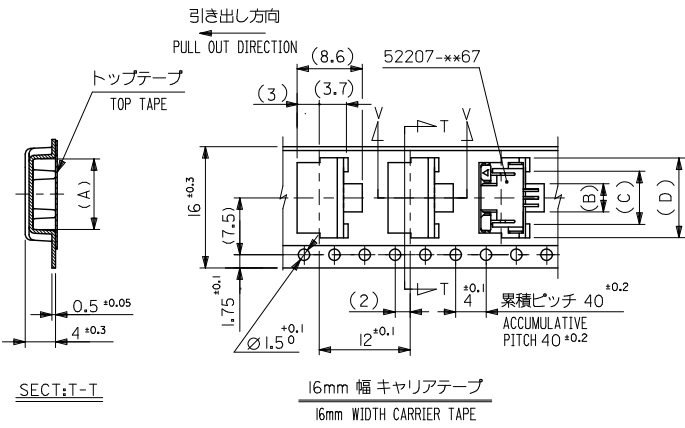
- 材料 (MATERIAL)  
キャリアテープ (CARRIER TAPE): ポリプロピレン (POLYPROPYLENE)  
トップテープ (TOPTAPE): PET, PE, PEF  
リール (REEL): ポリスチレン (PS) <リサイクル材を含む>  
POLYSTYRENE(PS) <RECYCLE MATERIAL CONTAINED>
- 本製品は 52207-\*\*-85 の金メッキ品である。  
THIS PRODUCT IS GOLD PLATING OF 52207-\*\*-85.
- 本製品は乾燥剤入り、ハイバリア梱包仕様である。  
THIS PRODUCT IS HIGH BARRIER PACKAGE WITH DESICCANT.

MODEL No.52207-\*\*-60

REVISED EC NO: J2016-0832 DRAWN: YI ZUN002 2016/02/03 CHKD: KAKASHI 2016/02/03 APPR: IKUSHARA01 2016/02/12	GENERAL TOLERANCES (UNLESS SPECIFIED)			DIMENSION STYLE MM ONLY		SCALE ---	DESIGN UNITS METRIC	THIRD ANGLE PROJECTION	
	0.25 UNDER	UNDER	± 0.03	DRAWN BY	DATE	TITLE			
	0.25 OVER	0.5 UNDER	± 0.05	M.UMEDA	2005/03/03	1.0 FPC CONN. ZIF SMT WITH EMBSTP PKG -LEAD FREE-			
	0.5 OVER	1.0 UNDER	± 0.1	CHECKED BY	DATE	<b>molex</b>			
	1.0 OVER	10 UNDER	± 0.2	K.TOYODA	2005/03/03				
10 OVER	30 UNDER	± 0.25	APPROVED BY	DATE	DOCUMENT NO.	SHEET NO.			
30 OVER		± 0.3	N.UKITA	2005/03/03	SD-52207-065	1 OF 5			
ANGULAR	± 1 °		MATERIAL NO.	SEE SHEET 2-5					
DRAFT WHERE APPLICABLE MUST REMAIN WITHIN DIMENSIONS				SIZE A3	THIS DRAWING CONTAINS INFORMATION THAT IS PROPRIETARY TO MOLEX ELECTRONIC TECHNOLOGIES, LLC AND SHOULD NOT BE USED WITHOUT WRITTEN PERMISSION				

9 8 7 6 5 4 3 2 1

10 9 8 7 6 5 4 3 2 1

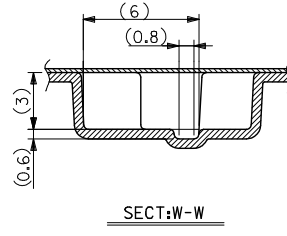
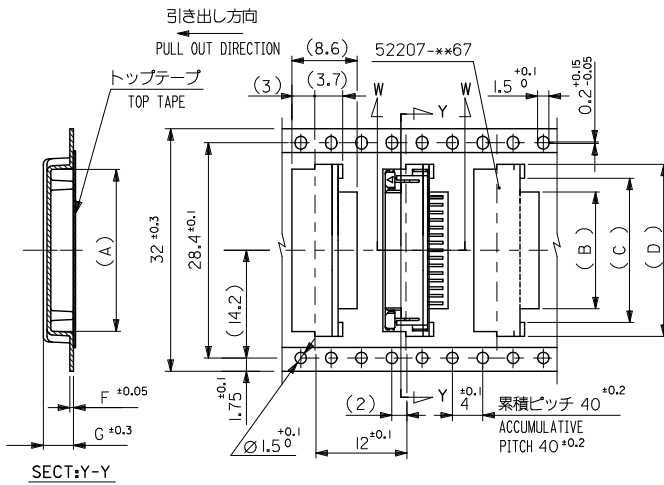


24	29.4	25.4	18.5	15	11.7	17.3	52207-1160	11
			17.5	14	10.7	16.3	52207-1060	10
			16.5	13	9.7	15.3	52207-0960	9
			15.5	12	8.7	14.3	52207-0860	8
			14.5	11	7.7	13.3	52207-0760	7
			13.5	10	6.7	12.3	52207-0660	6
12.5	9	5.7	11.3	52207-0560	5			
11.5	8	4.7	10.3	52207-0460	4			
16	21.4	17.4	10.5	7	3.7	9.3	52207-0360	3
キャリアテープ幅 CARRIER TAPE WIDTH	H	E	(D)	(C)	(B)	(A)	EMBOSSED PACKAGE ORDER NO.	種数 CKT.

SEE SHEET 1 EC NO. J2016-0832 DRAWN: Y. ZUNO 2016/02/03 CHKD: K. TAKAHASHI 2016/02/03 APPR: T. KUSUHARA 2016/02/12	GENERAL TOLERANCES (UNLESS SPECIFIED)		DIMENSION STYLE MM ONLY		SCALE ---	DESIGN UNITS METRIC	THIRD ANGLE PROJECTION	
	0.25 UNDER	UNDER	±0.03	DRAWN BY	DATE	TITLE		
	0.25 OVER	0.5 UNDER	±0.05	M. UMEDA	2005/03/03	1.0 FPC CONN. ZIF SMT WITH EMBSTP PKG -LEAD FREE-		
	0.5 OVER	1.0 UNDER	±0.1	CHECKED BY	DATE	<b>molex</b>		
	1.0 OVER	10 UNDER	±0.2	K. TOYODA	2005/03/03			
	10 OVER	30 UNDER	±0.25	APPROVED BY	DATE	MATERIAL NO.	DOCUMENT NO.	SHEET NO.
30 OVER		±0.3	N. UKITA	2005/03/03	SEE CHART	SD-52207-065	2 OF 5	
ANGULAR	±1 °		THIS DRAWING CONTAINS INFORMATION THAT IS PROPRIETARY TO MOLEX ELECTRONIC TECHNOLOGIES, LLC AND SHOULD NOT BE USED WITHOUT WRITTEN PERMISSION					

9 8 7 6 5 4 3 2 1

10 9 8 7 6 5 4 3 2 1



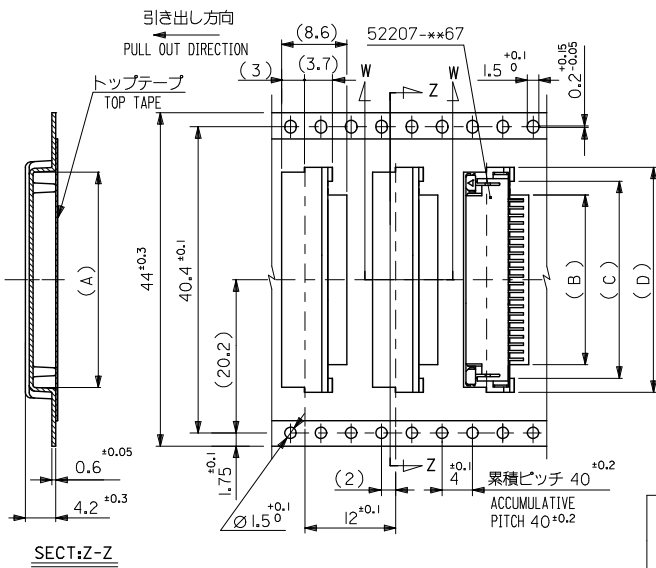
32mm 幅 キャリアテープ  
32mm WIDTH CARRIER TAPE

32	37.4	33.4	4.0	0.5	23.5	20	16.7	22.35	52207-1660	16	
			4.2	0.6	22.5	19	15.7	21.35	52207-1560	15	
			4.2	0.6	21.5	18	14.7	20.35	52207-1460	14	
			4.2	0.6	20.5	17	13.7	19.35	52207-1360	13	
			4.2	0.6	19.5	16	12.7	18.35	52207-1260	12	
キャリアテープ幅 CARRIER TAPE WIDTH		H	E	(G)	(F)	(D)	(C)	(B)	(A)	EMBOSSED PACKAGE ORDER NO.	種数 CKT.

SEE SHEET 1 EC NO. J2016-0832 DRAWN: M. UMEDA 2016/02/03 CHKD: K. TAKAHASHI 2016/02/03 APPR: T. KUSUHARA01 2016/02/12	GENERAL TOLERANCES (UNLESS SPECIFIED)			DIMENSION STYLE MM ONLY			SCALE ---	DESIGN UNITS METRIC	THIRD ANGLE PROJECTION		
	0.25	UNDER	±0.03	DRAWN BY	DATE		TITLE				
	0.25	OVER	±0.05	M. UMEDA	2005/03/03		1.0 FPC CONN ZIF SMT WITH EMBSTP PKG -LEAD FREE-				
	0.5	OVER	±0.1	CHECKED BY	DATE						
	1.0	OVER	±0.2	K. TOYODA	2005/03/03						
	10	OVER	±0.25	APPROVED BY	DATE						
30	OVER	±0.3	N. UKITA	2005/03/03		MATERIAL NO.	DOCUMENT NO.	SHEET NO.			
ANGULAR ±1 °			SEE CHART			SD-52207-065			3 OF 5		
DRAFT WHERE APPLICABLE MUST REMAIN WITHIN DIMENSIONS			THIS DRAWING CONTAINS INFORMATION THAT IS PROPRIETARY TO MOLEX ELECTRONIC TECHNOLOGIES, LLC AND SHOULD NOT BE USED WITHOUT WRITTEN PERMISSION								

9 8 7 6 5 4 3 2 1

10 9 8 7 6 5 4 3 2 1



44mm 幅 キャリアテープ  
44mm WIDTH CARRIER TAPE

44	49.4	45.4	—	—	34.5	31	27.7	33.35	52207-2760	27
—	—	—	—	—	33.5	30	26.7	32.35	52207-2660	26
—	—	—	—	—	32.5	29	25.7	31.35	52207-2560	25
—	—	—	—	—	31.5	28	24.7	30.35	52207-2460	24
—	—	—	—	—	30.5	27	23.7	29.35	52207-2360	23
—	—	—	—	—	29.5	26	22.7	28.35	52207-2260	22
—	—	—	—	—	28.5	25	21.7	27.35	52207-2160	21
—	—	—	—	—	27.5	24	20.7	26.35	52207-2060	20
—	—	—	—	—	26.5	23	19.7	25.35	52207-1960	19
—	—	—	—	—	25.5	22	18.7	24.35	52207-1860	18
—	—	—	—	—	24.5	21	17.7	23.35	52207-1760	17

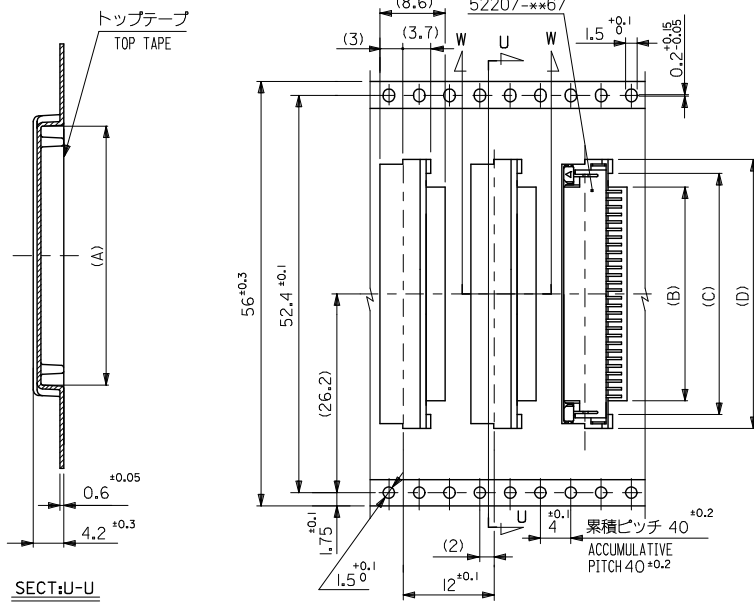
キャリアテープ幅  
CARRIER TAPE WIDTH

H E (G) (F) (D) (C) (B) (A) EMBOSSED PACKAGE ORDER NO. 種数 CKT.

SEE SHEET 1 EC NO. J2016-0832 DRAWN: Y. ZUNO 2016/02/03 CHKD: K. TAKAHASHI 2016/02/03 APPR: T. KUSUHARA 2016/02/12	GENERAL TOLERANCES (UNLESS SPECIFIED)		DIMENSION STYLE		SCALE	DESIGN UNITS	THIRD ANGLE PROJECTION		
	0.25 UNDER	UNDER	±0.03	MM ONLY		---	METRIC		
	0.25 OVER	0.5 UNDER	±0.05	DRAWN BY DATE		TITLE			
	0.5 OVER	1.0 UNDER	±0.1	M.UMEDA 2005/03/03		1.0 FPC CONN ZIF SMT WITH EMBSTP PKG -LEAD FREE-			
	1.0 OVER	10 UNDER	±0.2	CHECKED BY DATE		K.TOYODA 2005/03/03			
10 OVER	30 UNDER	±0.25	APPROVED BY DATE		N.UKITA 2005/03/03				
30 OVER		±0.3	MATERIAL NO.		DOCUMENT NO.		SHEET NO.		
ANGULAR ±1 °	DRAFT WHERE APPLICABLE MUST REMAIN WITHIN DIMENSIONS		SEE CHART		SD-52207-065		4 OF 5		
SIZE A3			THIS DRAWING CONTAINS INFORMATION THAT IS PROPRIETARY TO MOLEX ELECTRONIC TECHNOLOGIES, LLC AND SHOULD NOT BE USED WITHOUT WRITTEN PERMISSION						

9 8 7 6 5 4 3 2 1

10 9 8 7 6 5 4 3 2 1



56mm 幅 キャリアテープ  
56mm WIDTH CARRIER TAPE

56	61.4	57.4	37.5	34	30.7	36.35	52207-3060	30
			36.5	33	29.7	35.35	52207-2960	29
			35.5	32	28.7	34.35	52207-2860	28
キャリアテープ幅 CARRIER TAPE WIDTH			H	E	(D)	(C)	(B)	(A)
							EMBOSSED PACKAGE ORDER NO.	極数 CKT.

SEE SHEET 1 IEC NO. J2016-0832 DRAWN: Y. ZUNO 2016/02/03 CHKD: K. TAKAHASHI 2016/02/03 APPR: T. KUSUHARA 2016/02/12	GENERAL TOLERANCES (UNLESS SPECIFIED)		DIMENSION STYLE MM ONLY		SCALE ---	DESIGN UNITS METRIC	THIRD ANGLE PROJECTION
	0.25 UNDER	UNDER	±0.03	DRAWN BY	DATE	TITLE	
	0.25 OVER	0.5 UNDER	±0.05	M. UMEDA	2005/03/03	1.0 FPC CONN ZIF SMT WITH EMBSTP PKG -LEAD FREE-	
	0.5 OVER	1.0 UNDER	±0.1	CHECKED BY	DATE		
	1.0 OVER	10 UNDER	±0.2	K. TOYODA	2005/03/03		
	10 OVER	30 UNDER	±0.25	APPROVED BY	DATE	DOCUMENT NO.	SHEET NO.
30 OVER		±0.3	N. UKITA	2005/03/03	SD-52207-065	5 OF 5	
ANGULAR	±1 °		SEE CHART		THIS DRAWING CONTAINS INFORMATION THAT IS PROPRIETARY TO MOLEX ELECTRONIC TECHNOLOGIES, LLC AND SHOULD NOT BE USED WITHOUT WRITTEN PERMISSION		

9 8 7 6 5 4 3 2 1