

Excellent Integrated System Limited

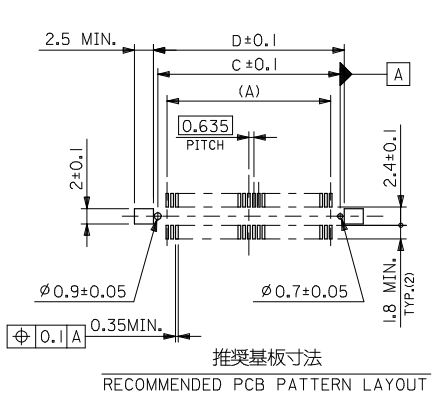
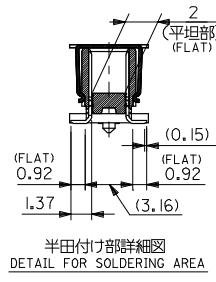
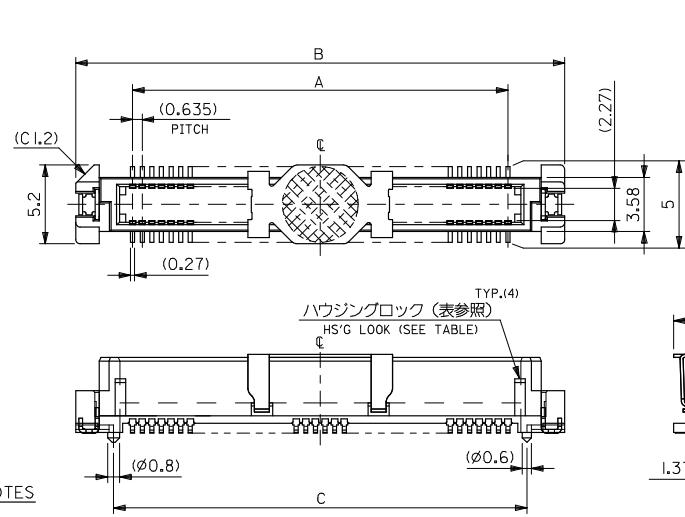
Stocking Distributor

Click to view price, real time Inventory, Delivery & Lifecycle Information:

[Molex Connector Corporation](#)
[0550910874](#)

For any questions, you can email us directly:

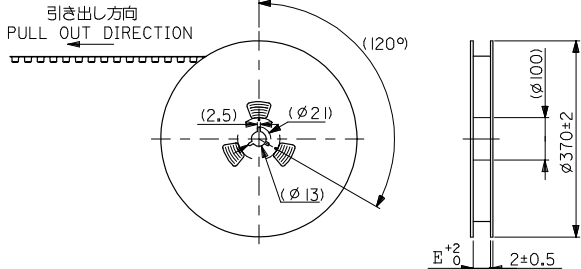
sales@integrated-circuit.com



- 注) NOTES
- 材質 MATERIAL
ハウジング : ガラス入りLCP、黒色、UL94V-0
HOUSING: LIQUID CRYSTAL POLYMER (LCP), GLASS FILLED, BLACK, UL94V-0
ターミナル : 銅合金 (t=0.2)
TERMINAL: COPPER ALLOY
吸着カバー : ステンレス (t=0.2)
VACUUM COVER: STAINLESS STEEL
補強金具 : 銅合金 (t=0.25)
FITTING NAIL: COPPER ALLOY
 - メッキ仕様 PLATING
ターミナル : 接点部 : 金メッキ 0.25 マイクロメートル以上。
TERMINAL CONTACT AREA : GOLD 0.25 MICROMETER MINIMUM.
半田付け部 : 錫メッキ 1.0 マイクロメートル以上。
SOLDER TAIL AREA : TIN 1.0 MICROMETER MINIMUM.
下地メッキ : ニッケルメッキ 1.5 マイクロメートル以上。
UNDER-PLATING : NICKEL 1.5 MICROMETER MINIMUM.
補強金具 : 錫メッキ 1.0 マイクロメートル以上。
FITTING NAIL TIN 1.0 MICROMETER MINIMUM.
下地メッキ : ニッケルメッキ 1.0 マイクロメートル以上。
UNDER-PLATING: NICKEL 1.0 MICROMETER MINIMUM.
 - テールのバラツキ寸法 TAIL COPLANARITY
テール及び金具の平坦度は、0.1以下とする。
TAIL AND FITTING NAIL COPLANARITY TO BE 0.1 MAXIMUM.
 - エンボス対応済みの種数については、SD-55091-007を参照下さい。
FOR THE EMBOSSED PACKAGE PRODUCTS, SEE SD-55091-007.
 - 本製品は55091-***2の鉛フリー品である。
THIS PRODUCT IS LEAD FREE OF 55091-***2.

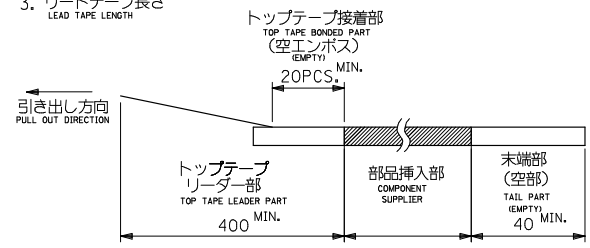
	79.17	78.07	83.07	75.565	←	55091-2475	55091-2472	240	○
無し NO	66.47	65.37	70.37	62.865	←	-2075	-2072	200	○
	60.12	59.02	64.02	56.515	←	-1875	-1872	180	○
	53.77	52.67	57.67	50.165	55091-1674	-1675	-1672	160	○
	47.42	46.32	51.32	43.815	55091-1474	-1475	-1472	140	○
	41.07	39.97	44.97	37.465	55091-1274	-1275	-1272	120	○
	34.72	33.62	38.62	31.115	55091-1074	-1075	-1072	100	○
	31.55	30.45	35.45	27.94	55091-0974	-0975	-0972	90	○
	28.37	27.27	32.27	24.765	55091-0874	-0875	-0872	80	○
	25.2	24.1	29.1	21.59	55091-0774	-0775	-0772	70	○
	24.56	23.46	28.46	20.955	←	-6875	-6872	68	○
有り YES	22.02	20.92	25.92	18.415	55091-0674	-0675	-0672	60	○
	18.85	17.75	22.75	15.24	55091-0574	-0575	-0572	50	○
	15.67	14.57	19.57	12.065	55091-0474	-0475	-0472	40	○
	12.5	11.4	16.4	8.89	55091-0374	-0375	-0372	30	○
	9.32	8.22	13.22	5.715	55091-0274	55091-0275	55091-0272	20	○

REVISED EC NO.: J2009-0365 DRAWN BY: H. KAWABATA CHECKED BY: K. TOJO APPROVED BY: M. SASAO DATE: 2008/08/06 DATE: 2008/08/07 DATE: 2008/08/07	GENERAL TOLERANCES (UNLESS SPECIFIED)	DIMENSION STYLE MM ONLY	SCALE ---	DESIGN UNITS METRIC	THIRD ANGLE PROJECTION
	10 UNDER ±0.2	DRAWN BY: H. KAWABATA DATE: '04/03/05	TITLE	0.635 PITCH B-T-O-B PLUG HS'G COVER ASS'Y -LEAD FREE-	
	10 OVER 30 UNDER ±0.25	CHECKED BY: K. TOJO DATE: '04/03/05	APPROVED BY: M. SASAO DATE: '04/03/05	MOLEX INCORPORATED	
	30 OVER ±0.3	ANGULAR ±3°	DRAFT WHERE APPLICABLE MUST REMAIN WITHIN DIMENSIONS	MATERIAL NO. SEE TABLE	DOCUMENT NO. SD-55091-006
H	DESCRIPTION	SIZE A3	THIS DRAWING CONTAINS INFORMATION THAT IS PROPRIETARY TO MOLEX INCORPORATED AND SHOULD NOT BE USED WITHOUT WRITTEN PERMISSION		SHEET NO. 1 OF 1



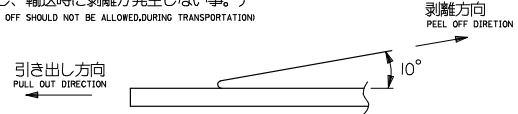
注)
NOTES

- 製品番号 55091-***72 の詳細寸法については、SD-55091-006 を参照下さい。
IN THE PACKAGE, PART NO. 55901-***72 DETAILED DIMENSIONS, SEE SD-55091-006.
- 梱包数量 : 1000 個/リール
NUMBER OF CONNECTORS, 1000 PCS/REEL
- リードテープ長さ
LEAD TAPE LENGTH



- トップテープの剥離強度: (剥離方向は下図参照)
PEELING OFF FORCE OF TOP TAPE (PEELING DIRECTION AS SHOWN IN FOLLOWING FIG.)
0. 1~1. 3N {10~130gf}

尚、本規格値は、出荷時に適用。
THIS REQUIREMENT SHOULD BE APPLIED AT SHIPMENT
(但し、輸送時に剥離が発生しない事。)
(PEEL OFF SHOULD NOT BE ALLOWED DURING TRANSPORTATION)



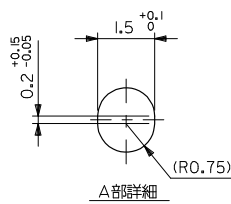
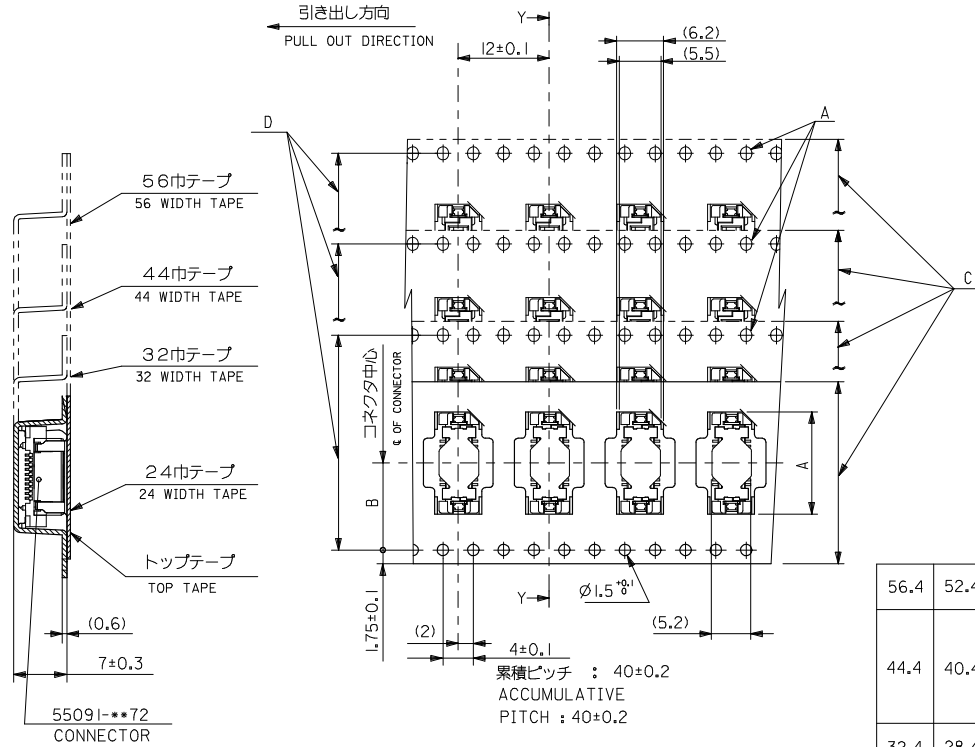
5. 材料

MATERIAL
キャリアテープ : ポリプロピレン (PP)
CARRIER TAPE : POLYPROPYLENE (PP)
トップテープ : PET, PE, PEF
TOP TAPE : PET, PE, PEF
リール : 紙
REEL : CARDBOARD

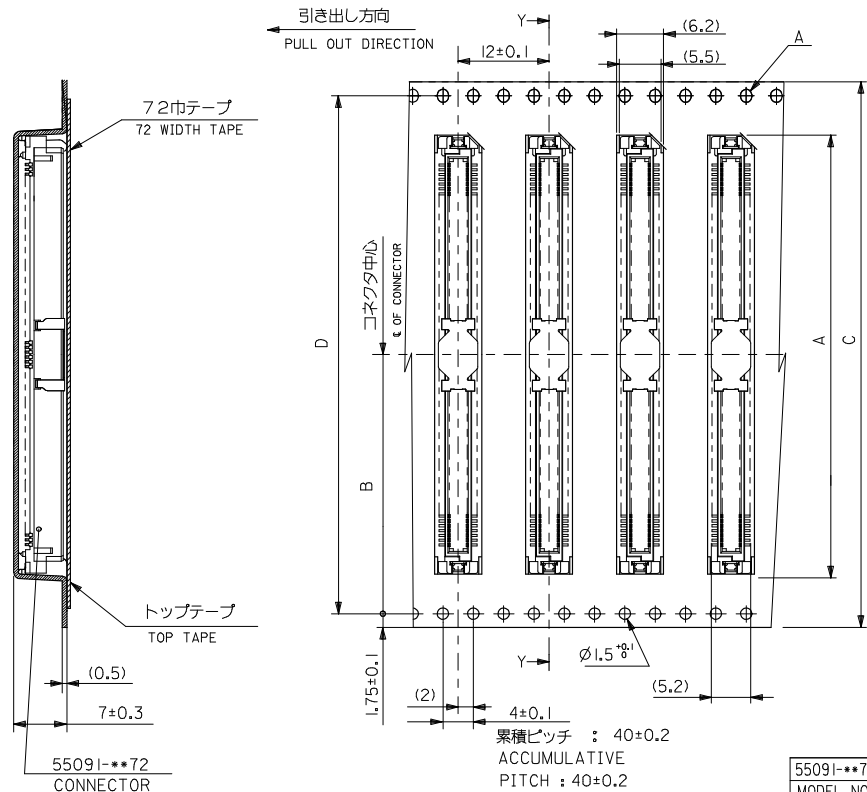
- 本製品は55091-***4の鉛フリー品である。
THIS PRODUCT IS LEAD FREE OF 55091-***4.

MODEL NO.	55091-***74
-----------	-------------

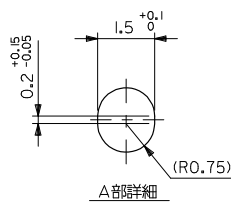
REVISED EC NO.: J2009-0365 DRAWN BY: CHIKO HARUYAMA CHECKED BY: APPRANKITA DATE: 2008/08/06 DATE: 2008/08/07 DATE: 2008/08/07	DESCRIPTION	GENERAL TOLERANCES (UNLESS SPECIFIED)		DIMENSION STYLE MM ONLY		SCALE	DESIGN UNITS	THIRD ANGLE PROJECTION	
		10 UNDER	±0.2	DRAWN BY	DATE	---	METRIC	55091-***72 TAPING PACKAGE -LEAD FREE-	
		10 OVER 30 UNDER	±0.25	KAWABATA	'04/03/05	TITLE			
		30 OVER	±0.3	CHECKED BY	DATE				
		ANGULAR	±3 °	APPROVED BY	DATE	MOLEX INCORPORATED		SHEET NO.	
DRAFT WHERE APPLICABLE MUST REMAIN WITHIN DIMENSIONS		MATERIAL NO.		DOCUMENT NO.		1 OF 3		SEE SHEET 2,3	
		SIZE		THIS DRAWING CONTAINS INFORMATION THAT IS PROPRIETARY TO MOLEX INCORPORATED AND SHOULD NOT BE USED WITHOUT WRITTEN PERMISSION					



REVISED	DESCRIPTION	GENERAL TOLERANCES (UNLESS SPECIFIED)	DIMENSION STYLE	SCALE	DESIGN UNITS	THIRD ANGLE PROJECTION
EC NO: J2009-0365	2008/08/06	10 UNDER ±0.2	MM ONLY	---	METRIC	☉ □
DRAWN BY: IDRYUNABE	2008/08/07	10 OVER 30 UNDER ±0.25	DRAWN BY: KAWABATA	DATE: '04/03/05	TITLE: 55091-72 TAPING PACKAGE -LEAD FREE-	MOLEX INCORPORATED
CHKD: HARUYAMA	2008/08/07	30 OVER ±0.3	CHECKED BY: KTOJO	DATE: '04/03/05	MATERIAL NO. SEE TABLE	
APPR: NIKITA	2008/08/07	ANGULAR ±3°	APPROVED BY: MSASAO	DATE: '04/03/05	DOCUMENT NO. SD-55091-007	SHEET NO. 2 OF 3
REVISION	DESCRIPTION	DRAFT WHERE APPLICABLE MUST REMAIN WITHIN DIMENSIONS	MATERIAL NO.	SIZE: A3	THIS DRAWING CONTAINS INFORMATION THAT IS PROPRIETARY TO MOLEX INCORPORATED AND SHOULD NOT BE USED WITHOUT WRITTEN PERMISSION	



断面 Y-Y
SECTION Y-Y



55091-**-74	72.4	68.4	72 ^{+0.3}	34.2	58.0	55091-1674	160	○
					51.6	55091-1474	140	○
					45.3	55091-1274	120	○

MODEL NO.	E	D	C	キャリアテープ幅 CARRIER TAPE WIDTH	(B)	(A)	MATERIAL NO.	種別 NO. OF OUTS. AVAILABLE
-----------	---	---	---	--------------------------------	-----	-----	--------------	------------------------------

REVISIONS	DESCRIPTION	DATE
REVISED	2008/08/06	
EC NO: J2009-0365	DRW: NHABE	2008/08/07
	CHK: THAYAMA	2008/08/07
	APP: RINKITA	2008/08/07

GENERAL TOLERANCES (UNLESS SPECIFIED)		DIMENSION STYLE	SCALE	DESIGN UNITS
10 UNDER	± 0.2	MM ONLY	---	METRIC
10 OVER	± 0.25			
30 OVER	± 0.3			
ANGULAR	± 3°			

DRAWN BY		DATE	TITLE	
KAWABATA		'04/03/05	55091-**-72 TAPING PACKAGE	
CHECKED BY		DATE	-LEAD FREE-	
KTOJO		'04/03/05	MOLEX INCORPORATED	
APPROVED BY		DATE	MATERIAL NO.	
MSASAO		'04/03/05	SEE TABLE	
MATERIAL NO.		DOCUMENT NO.	SHEET NO.	
		SD-55091-007	3 OF 3	

THIS DRAWING CONTAINS INFORMATION THAT IS PROPRIETARY TO MOLEX INCORPORATED AND SHOULD NOT BE USED WITHOUT WRITTEN PERMISSION