

Excellent Integrated System Limited

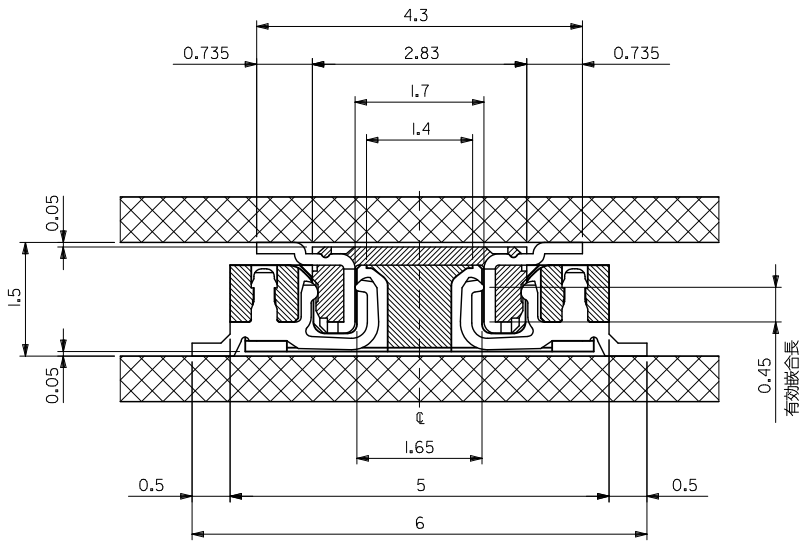
Stocking Distributor

Click to view price, real time Inventory, Delivery & Lifecycle Information:

[Molex Connector Corporation](#)
[0555600228](#)

For any questions, you can email us directly:

sales@integrated-circuit.com



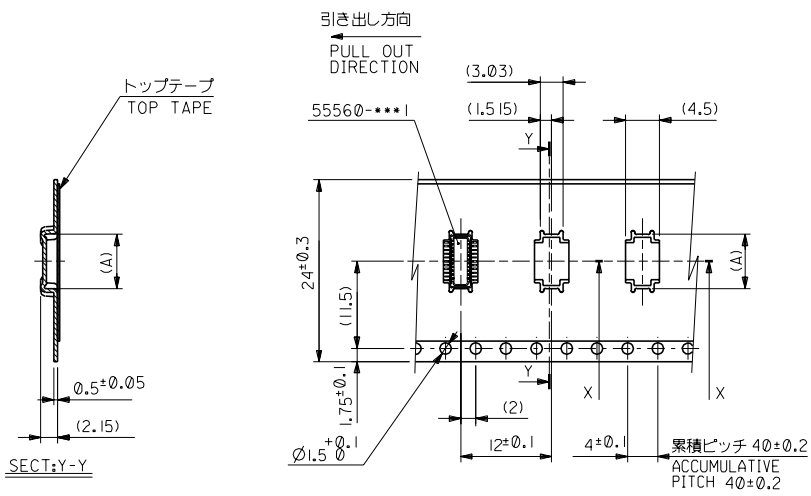
嵌合断面図 (参考)
MATED DRAWING (REF.)

注記 NOTES:

1. 使用材料 MATERIAL
 ウェハー : 液晶ポリマー ガラス充填 ,UL94V-0(黒)
 WAFER : LIQUID CRYSTRAL POLYMER
 (GLASS FILLED), UL94V-0 (COLOR:BLACK)
 ピン : 黄銅 (t=0.15)
 PIN : BRASS(t=0.15)
2. メッキ仕様 PLATING
 金メッキ : 0.25 MICROMETER MINIMUM (コンタクト部)
 GOLD 0.25 MICROMETER MINIMUM (CONTACT AREA).
 金メッキ : 0.4 MICROMETER MAXIMUM (テール部)
 GOLD 0.4 MICROMETER MAXIMUM (TAIL AREA).
 下地メッキ : ニッケルメッキ 1.5 MICROMETER MINIMUM
 UNDER PLATING : NICKEL 1.5 MICROMETER MINIMUM.
- △ (全極数/2) = 偶数の場合に適用。
 APPLY FOR (CIRCUIT/2)=EVEN.
4. 嵌合相手 : 54722 シリーズ, 54037 シリーズ
 MATE WITH : 54722 SERIES, 54037 SERIES.
5. テール平坦度は 0.1 MAXIMUM
 TAIL COPLANARITY TO BE 0.1 MAXIMUM.

REVISED EC NO. J2012-0135 DRAWN: YONOKI 2011/07/01 CHKD: TASHIKAWA 2011/07/01 APPR: MSASAO 2011/07/29	GENERAL TOLERANCES (UNLESS SPECIFIED)		DIMENSION STYLE MM ONLY	SCALE ---	DESIGN UNITS METRIC	THIRD ANGLE PROJECTION
	10 UNDER	± 0.20	DRAWN BY SAIHARA	DATE 2000/10/05	TITLE 0.5 B-TO-B CONN PLUG ASSY (HGT=1.5)	
	10 OVER 30 UNDER	± 0.25	CHECKED BY MSASAO	DATE 2003/03/31	MOLEX INCORPORATED	
	30 OVER	± 0.30	APPROVED BY MSASAO	DATE 2003/03/31	DOCUMENT NO. SD-55560-006	SHEET NO. 2 OF 2
K	ANGULAR ± 3 °	DRAFT WHERE APPLICABLE MUST REMAIN WITHIN DIMENSIONS	MATERIAL NO. SEE SHEET 1	THIS DRAWING CONTAINS INFORMATION THAT IS PROPRIETARY TO MOLEX INCORPORATED AND SHOULD NOT BE USED WITHOUT WRITTEN PERMISSION		

DWC. NO. SD-55560-008



24mm幅キャリアテープ
24mm WIDTH CARRIER TAPE

24	25.5	7.15	55560-0228	22
キャリアテープ幅 CARRIER TAPE WIDTH	B	(A)	MATERIAL NO.	極数 CIRCUIT
MODEL NO.	55560-***8		DIMENSIONS: UNLESS SPECIFIED	SHT REV
SCALE	DESIGN UNITS		PROJECTION	ANGLE
10 UNDER 未満	±0.2		<input checked="" type="checkbox"/> 0°	<input type="checkbox"/> 45°
10 OVER 以上	±0.25		<input type="checkbox"/> 0°	<input type="checkbox"/> 45°
30 OVER 以上	±0.3		<input type="checkbox"/> 0°	<input type="checkbox"/> 45°
ANGLE 角度	±3°			
DRAWN BY & DATE S.AIHARA '00/11/28		TITLE: 0.5 B-To-B Conn PLUG Assy (Hgt=1.5) Embstp Pkg		
CHECKED BY & DATE T.IITO '01/01/30		MOLEX INCORPORATED		
APPROVED BY & DATE M.FUKUSHIMA '01/01/30		MATERIAL NO.	DRAWING NO.	SHEET NO.
CAD FILENAME 55560008.S03		SEE CHART	SD-55560-008	3 OF 3
THIS DRAWING CONTAINS INFORMATION THAT IS PROPRIETARY TO MOLEX INCORPORATED AND SHOULD NOT BE USED WITHOUT WRITTEN PERMISSION.				
EN-02J(097) MXJ-54				

REVISED	PROPOSED	MATERIAL	SHEET 1 OF 2 参照 REFER TO SHEET 1 OF 2	
REV NO. JC2001-06/04 DRWN: R.SHINA '01/01/28 CHK: T.IITO APPR: M.FUKUSHIMA	PRO NO. JC2001-04/02 DRWN: S.AIHARA '00/11/28 CHK: T.IITO APPR: M.FUKUSHIMA	FINISH 仕上げ	//	
		WIRE RANGE 適用電線範囲	//	
		INS. RANGE 被覆外径	//	