

Excellent Integrated System Limited

Stocking Distributor

Click to view price, real time Inventory, Delivery & Lifecycle Information:

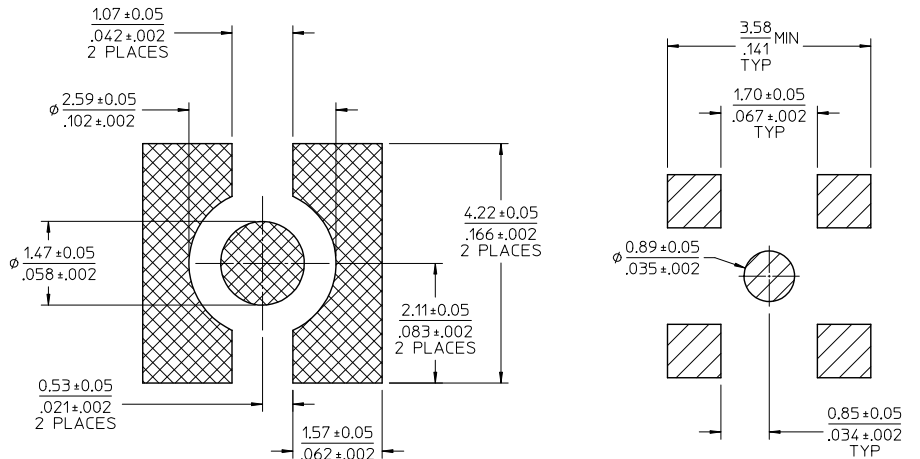
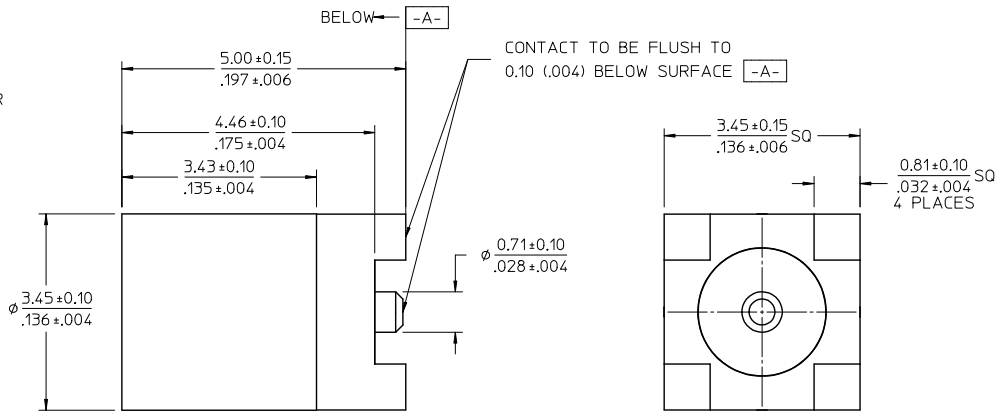
[Molex Connector Corporation](#)
[0734152063](#)

For any questions, you can email us directly:

sales@integrated-circuit.com

MATERIALS AND FINISHES

- BODY BRASS
PLATED GOLD
- CENTER CONTACT BERYLLIUM COPPER
PLATED GOLD
- INSULATOR TEFLON



PS-89675-1920	ELECTRO/MECH PERFORM.
SPECIFICATION	DESCRIPTION

73415-2064	73415-2061, ONE PER BAG
73415-2063	73415-2061 WITH TAPE & REEL
73415-2062	73415-2060 WITH TAPE & REEL
73415-2061	PER COMMERCIAL REQUIREMENTS, PACKING TRAY
73415-2060	PER MILITARY REQUIREMENTS, PACKING TRAY
PART NO.	PLATING

OPTION 1 PCB LAYOUT

CHG:73415-2060-2061
PACKING UPDATE TO
TRAY
EWR RF15-E384

EC NO: URF2016-0367
2015/11/05

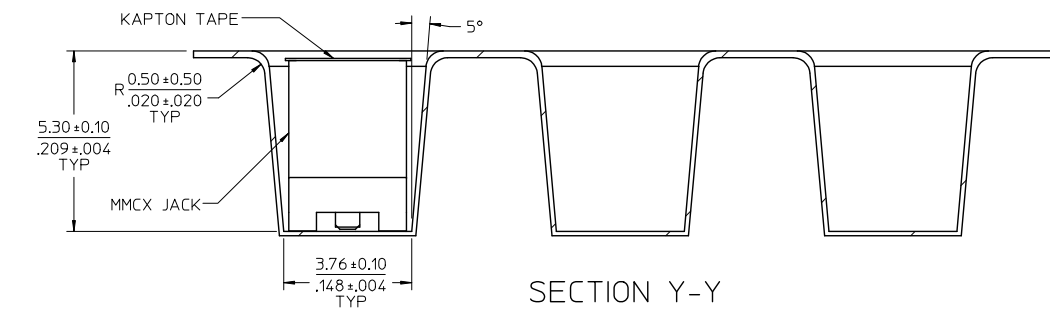
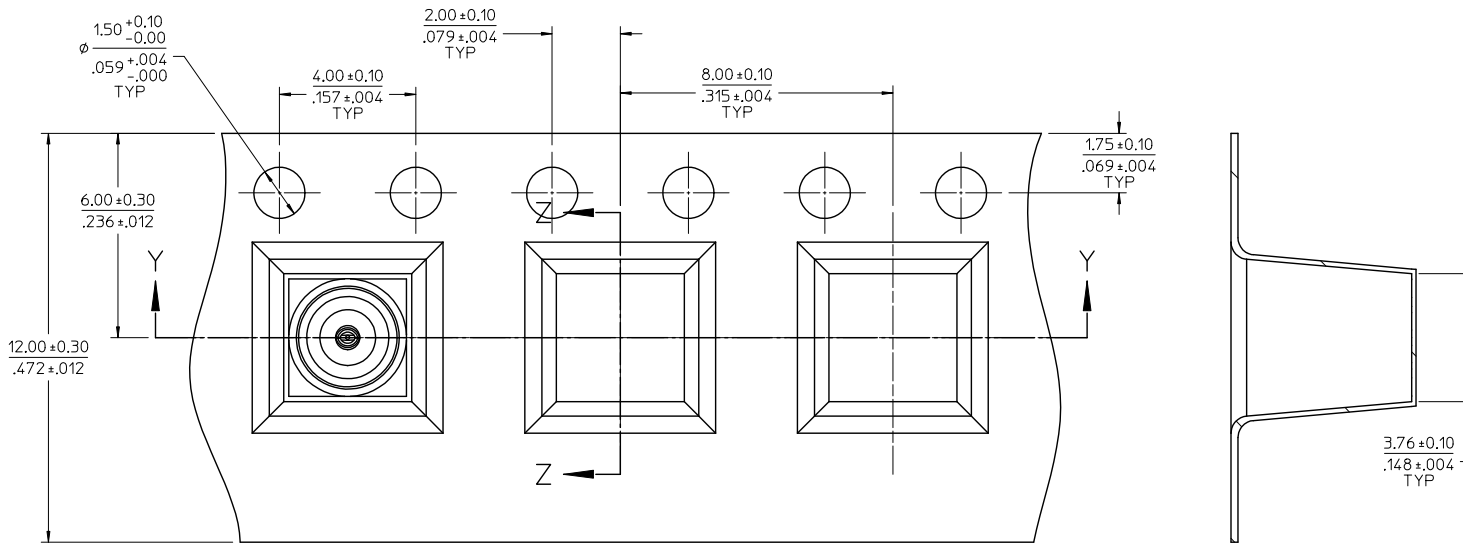
DRW: YI CHENG
2015/11/09

CHK: YI CHENG
APPR: YI CHENG

DESCRIPTION

REV

GENERAL TOLERANCES (UNLESS SPECIFIED)		DIMENSION STYLE		SCALE	DESIGN UNITS	THIRD ANGLE PROJECTION
mm	INCH	MM/IN			METRIC	
4 PLACES ±	±	DRAWN BY TEF DATE 2000/04/18		SEE TABLE	SD-73415-206	SHEET NO. 1 OF 4
3 PLACES ±	±	CHECKED BY DATE				
2 PLACES ±	±	SSS DATE 2000/04/18				
1 PLACE ±	±	APPROVED BY DATE				
0 PLACE ±	±	GMH DATE 2000/04/18				
ANGULAR ± 2°		MATERIAL NO.		DOCUMENT NO.		
DRAFT WHERE APPLICABLE MUST REMAIN WITHIN DIMENSIONS		SIZE		THIS DRAWING CONTAINS INFORMATION THAT IS PROPRIETARY TO MOLEX INCORPORATED AND SHOULD NOT BE USED WITHOUT WRITTEN PERMISSION		

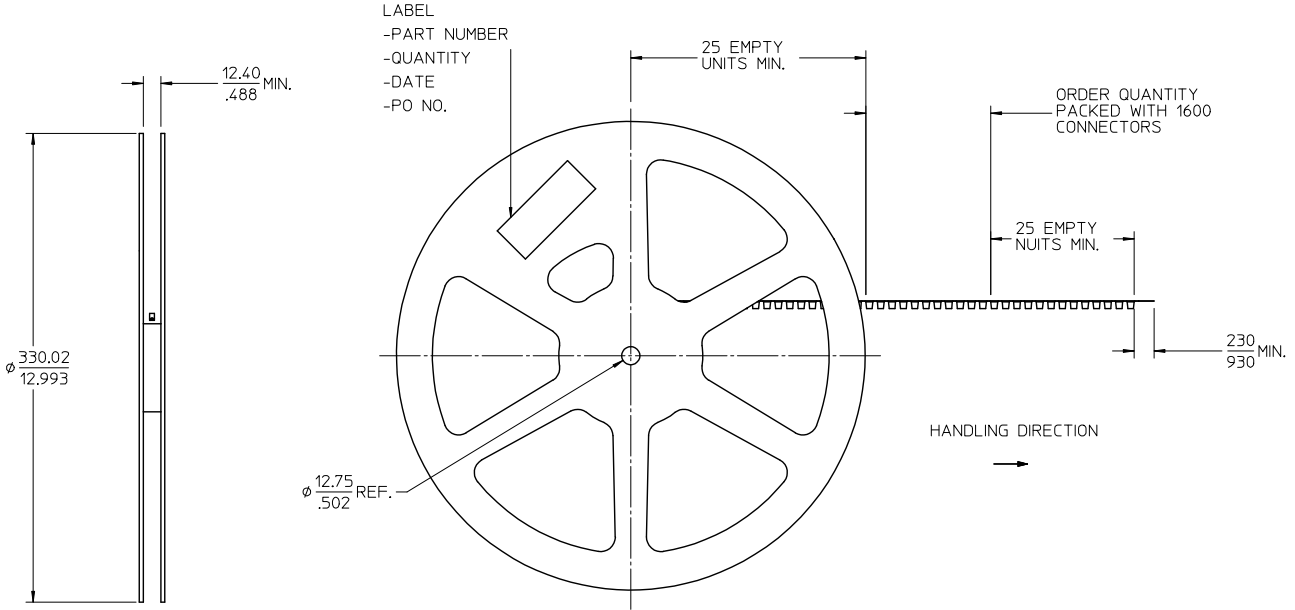


SECTION Y-Y

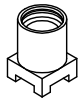
SECTION Z-Z

SEE SHEET 1 IEC NO. URF-2016-0367 DRAWN BY: CHENG 2015/11/05 CHECKED BY: APPR: Y. CHENG 2015/11/09	QUALITY SYMBOLS ∇=0 ∇=0 ∇=0	GENERAL TOLERANCES (UNLESS SPECIFIED)		DIMENSION STYLE MM/IN		SCALE	DESIGN UNITS	THIRD ANGLE PROJECTION
		mm	INCH	DRAWN BY	DATE	METRIC		
		4 PLACES ±	---	TEF	2000/04/18	TITLE		
		3 PLACES ±	---	CHECKED BY	DATE	MMCX JACK, VERTICAL PCB/SMT 50 OHMS MMCX-J/PCB		
		2 PLACES ±	---	SSS	2000/04/18	molex		
		1 PLACE ±	---	APPROVED BY	DATE	MATERIAL NO.	DOCUMENT NO.	SHEET NO.
		0 PLACE ±	---	GMH	2000/04/18	SEE SHEET 1	SD-73415-206	2 OF 4
ANGULAR ± 2° DRAFT WHERE APPLICABLE MUST REMAIN WITHIN DIMENSIONS		THIS DRAWING CONTAINS INFORMATION THAT IS PROPRIETARY TO MOLEX INCORPORATED AND SHOULD NOT BE USED WITHOUT WRITTEN PERMISSION						

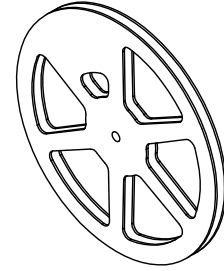
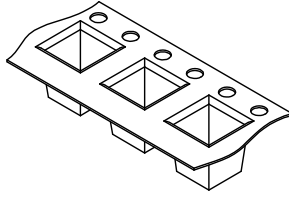
NOTE:
13" REEL SIZE FOR 1600 PIECES



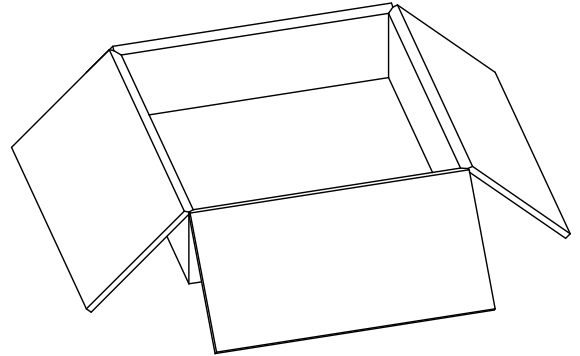
SEE SHEET 1 IEC NO: UNF2016-0367 DRAWN BY: CHEN YUEN CHKD: APPR: YUEN 2015/11/09 DESCRIPTION:	QUALITY SYMBOLS ▽=0 ▽=0 ▽=0	GENERAL TOLERANCES (UNLESS SPECIFIED)		DIMENSION STYLE MM/IN		SCALE	DESIGN UNITS METRIC	THIRD ANGLE PROJECTION
		4 PLACES ± --- ± --- 3 PLACES ± --- ± --- 2 PLACES ± --- ± --- 1 PLACE ± --- ± --- 0 PLACE ± --- ± ---	DRAWN BY: TEF DATE: 2000/04/18 CHECKED BY: SSS DATE: 2000/04/18 APPROVED BY: GMH DATE: 2000/04/18	TITLE MMCX JACK, VERTICAL PCB/SMT 50 OHMS MMCX-J/PCB		MATERIAL NO.		DOCUMENT NO.
DRAFT WHERE APPLICABLE MUST REMAIN WITHIN DIMENSIONS		ANGULAR ± 2 °		SEE SHEET 1		SD-73415-206		3 OF 4
THIS DRAWING CONTAINS INFORMATION THAT IS PROPRIETARY TO MOLEX INCORPORATED AND SHOULD NOT BE USED WITHOUT WRITTEN PERMISSION								



PART NO.
73415-2062/73415-2063



1600 SET PER 13' REEL



8000 CONNECTORS PER
OUTER CARTON BOX
339 X 339 X 100 REF.

SEE SHEET 1 IEC NO: UNF2016-0367 DRAWN: YUEN CHKD: YUEN APPR: YUEN DATE: 2015/11/09	QUALITY SYMBOLS 	GENERAL TOLERANCES (UNLESS SPECIFIED)		DIMENSION STYLE MM/IN		SCALE	DESIGN UNITS METRIC	THIRD ANGLE PROJECTION
		4 PLACES ± --- ± --- 3 PLACES ± --- ± --- 2 PLACES ± --- ± --- 1 PLACE ± --- ± --- 0 PLACE ± --- ± ---	DRAWN BY TEF DATE 2000/04/18	CHECKED BY SSS DATE 2000/04/18	APPROVED BY GMH DATE 2000/04/18	MATERIAL NO. SEE SHEET 1	DOCUMENT NO. SD-73415-206	TITLE MMCX JACK, VERTICAL PCB/SMT 50 OHMS MMCX-J/PCB molex
DRAFT WHERE APPLICABLE MUST REMAIN WITHIN DIMENSIONS		THIS DRAWING CONTAINS INFORMATION THAT IS PROPRIETARY TO MOLEX INCORPORATED AND SHOULD NOT BE USED WITHOUT WRITTEN PERMISSION						