

Excellent Integrated System Limited

Stocking Distributor

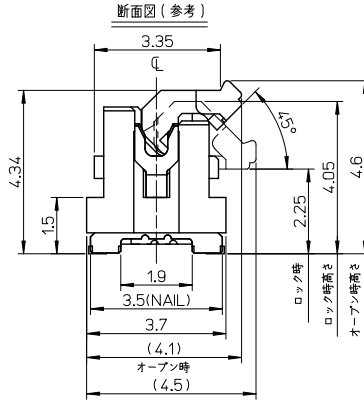
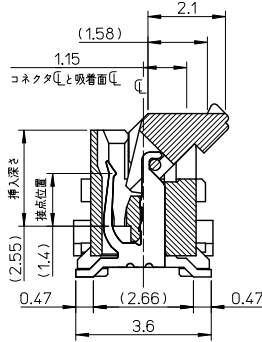
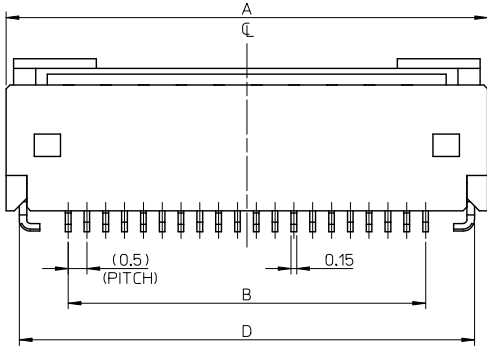
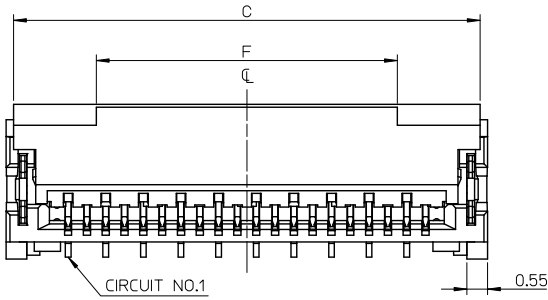
Click to view price, real time Inventory, Delivery & Lifecycle Information:

[Molex Connector Corporation](#)
[5019515010](#)

For any questions, you can email us directly:

sales@integrated-circuit.com

10 9 8 7 6 5 4 3 2 1



注記 NOTES

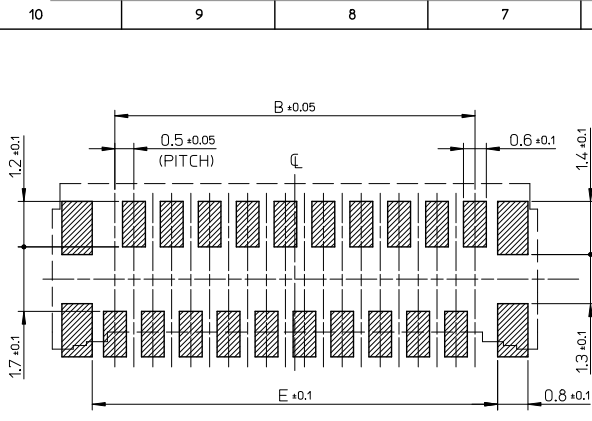
1. 使用材料 MATERIAL
 - ハウジング : 液晶ポリマー ガラス充填, UL94V-0(白)
 - HOUSING : LIQUID CRYSTAL POLYMER GLASS FILLED, UL94V-0 (WHITE)
 - アクチュエータ : ポリアミド 9T, ガラス充填, UL94V-0(茶)
 - ACTUATOR : POLYAMIDE 9T, GLASS FILLED, UL94V-0 (BROWN)
 - ターミナル : 銅合金(t=0.15)
 - TERMINAL : COPPER ALLOY
 - 金具 : 銅合金(t=0.2)
 - FITTING NAIL : COPPER ALLOY
 2. めっき仕様 PLATING
 - ターミナル TERMINAL
 - コンタクト部 : 部分金めっき(0.1μm以上)
 - テール部 : 部分金めっき
 - 下地 : ニッケルめっき(1.0μm以上)
 - CONTACT AREA : SEPARATED GOLD PLATING (0.1 MICROMETER MINIMUM)
 - SOLDER TAIL AREA : SEPARATED GOLD PLATING UNDERPLATE + NICKEL OVERALL
 - 金具 FITTING NAIL
 - ニッケル下地めっき
 - めっき(1.0μm以上)
 - ニッケルめっき(1.0μm以上)
 - TIN(Sn) OVER NICKEL(Ni) PLATING
 - TIN PLATING (1.0 MICROMETER MINIMUM)
 - NICKEL PLATING (1.0 MICROMETER MINIMUM)
 3. テールと金具を併せた平拍度は 0.1ミリメートル以下(リフロー前)
TAILS AND NAILS COPLANARITY TO BE 0.1 MAX. (BEFORE REFLOW)
 4. ELV及びRoHS適合品
ELV AND RoHS COMPLIANT
- △ R0.3は、FPC導体部にかからないこと。
R0.3 MUST NOT BE OVERLAPPED TO PATTERN OF FPC.

8	35.7	37.1	37.4	34.5	37.8	501951-7019	70
	30.7	32.1	32.4	29.5	32.8	501951-6019	60
	25.7	27.1	27.4	24.5	27.8	501951-5019	50
	23.2	24.6	24.9	22	25.3	501951-4519	45
	20.7	22.1	22.4	19.5	22.8	501951-4019	40
	16.7	18.1	18.4	15.5	18.8	501951-3219	32
	15.7	17.1	17.4	14.5	17.8	501951-3019	30
	12.7	14.1	14.4	11.5	14.8	501951-2419	24
11.7	13.1	13.4	10.5	13.8	501951-2219	22	
10.7	12.1	12.4	9.5	12.8	501951-2019	20	

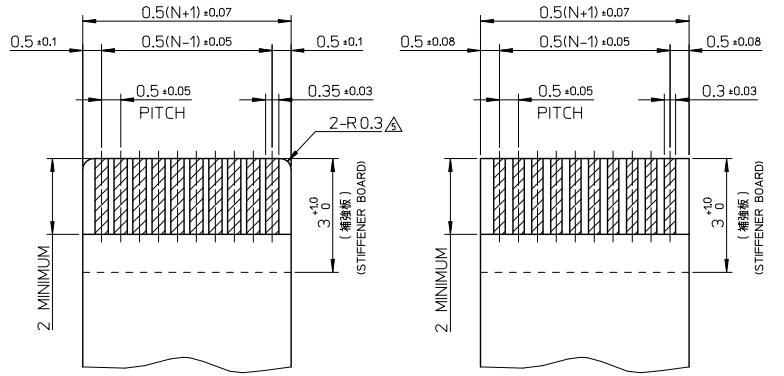
F E D C B A MATERIAL NO. CIRCUITS

REVISED EC NO: J2015-1526 DRAWN BY: THORWNAI SHII CHKD BY: TAKAHASHI APPR: YNOGAMA 2015/05/18 2015/05/18 2015/05/20	GENERAL TOLERANCES (UNLESS SPECIFIED)			DIMENSION STYLE MM ONLY		SCALE 10:1	DESIGN UNITS METRIC	THIRD ANGLE PROJECTION
	0.25 UNDER		±0.03	DRAWN BY	DATE	TITLE 0.5 FPC CONN. HSG ASSY EASY ON / STRAIGHT (GOLD) molex DOCUMENT NO. SD-501951-003 SHEET NO. 1 OF 2		
	0.25 OVER	0.5 UNDER	±0.05	TRSUZUKI	2006/08/21			
	0.5 OVER	1.0 UNDER	±0.1	CHECKED BY	DATE			
	1.0 OVER	10 UNDER	±0.2	HIRATA	2006/08/21			
10 OVER	30 UNDER	±0.25	APPROVED BY	DATE				
30 OVER		±0.3	MSASAO	2006/08/21				
ANGULAR	±1 °		MATERIAL NO.					
DRAFT WHERE APPLICABLE MUST REMAIN WITHIN DIMENSIONS			SEE CHART					
			SIZE A		THIS DRAWING CONTAINS INFORMATION THAT IS PROPRIETARY TO MOLEX INCORPORATED AND SHOULD NOT BE USED WITHOUT WRITTEN PERMISSION			

9 8 7 6 5 4 3 2 1



参考基板レイアウト (マウント面)
P.C. BOARD PATTERN DIMENSION (REF.)
(MOUNT AREA)



適合FFC推奨寸法
APPLICABLE FFC
RECOMMENDED DIMENSION
(仕上がり厚さ: 0.3±0.05)
(THICKNESS: 0.3±0.05)

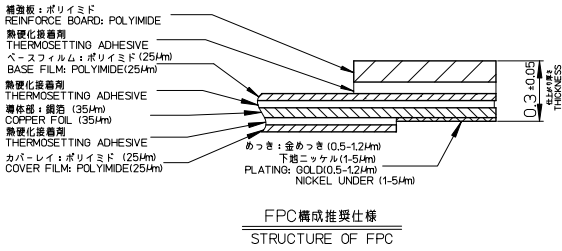
適合FFC推奨寸法
APPLICABLE FFC
RECOMMENDED DIMENSION
(仕上がり厚さ: 0.3±0.05)
(THICKNESS: 0.3±0.05)

FPCについて ABOUT FPC

補強フィルム材質はポリイミドを推奨します、ベースフィルムは25μmを推奨します。
接着剤は熱硬化接着剤を推奨します。
尚、接着剤の接点部への付着は導通不良の原因になりますので、染み出しが無い様お願い致します。
RECOMMENDED MATERIAL/THICKNESS:
RECOMMENDED STIFFENER MATERIAL: POLYIMIDE
RECOMMENDED BASE FILM THICKNESS: 25 MICROMETER
RECOMMENDED ADHESIVE: THERMOSETTING ADHESIVE
NOTE: PLEASE PUT APPROPRIATE AMOUNT OF ADHESIVE ON ADHEREND BECAUSE THERE IS A POSSIBILITY THAT THE EXTRA ADHESIVE CAUSES THE DEFECT IN ELECTRICAL CONTINUITY.
THERE IS A POSSIBILITY THAT THE PRESCRIPT TEMPERATURE OF FFC IS SET TO SINGLE IT.

FPC/FFCについて ABOUT FPC/FFC

打ち抜き方向は導体側から補強板側を推奨します。
導体部については軟銅箔35μmまたは50μmを推奨します。
FPCに規定された定格温度がFPC単体前提である場合が御座います。
コネクタと組み合わせての実用において、接着層が劣化するなどの信頼性を満足できないケースを回避するため、実機での評価/確認をお願い致します。
RECOMMENDED PUNCHING DIRECTION: FROM CONDUCTOR SIDE TO STIFFENER SIDE
RECOMMENDED CONDUCTOR SPEC: SOFT COPPER FOIL
RECOMMENDED CONDUCTOR THICKNESS: 35 MICROMETER OR 50 MICROMETER
NOTE: WHEN ACTUALLY USING IT WITH CONNECTOR, PLEASE DO THE EVALUATION AND THE CONFIRMATION WITH AN ACTUAL EQUIPMENT TO EVADE THE CASE WHERE RELIABILITY CANNOT BE FILLED (THE ADHESIVE LINE OF FFC IS DETERIORATED ETC.)



FPC構成推奨仕様
STRUCTURE OF FPC

SEE SHEET 1 OF 2 EC NO. J2015-526 DRAWN BY: T. DRWNAISHI 2015/05/18 CHECKED BY: CHIKOKITAKAHASHI 2015/05/18 APPROVED BY: YUOGAMA 2015/05/20	GENERAL TOLERANCES (UNLESS SPECIFIED)		DIMENSION STYLE		SCALE	DESIGN UNITS	THIRD ANGLE PROJECTION
	0.25 UNDER	±0.03	MM ONLY		---	METRIC	
	0.25 OVER	0.5 UNDER	±0.05	DRAWN BY: TRSUZUKI	DATE: 2006/08/21	TITLE: 0.5 FPC CONN. HSG ASSY EASY ON / STRAIGHT (GOLD)	
	0.5 OVER	1.0 UNDER	±0.1	CHECKED BY: HIRATA	DATE: 2006/08/21	molex	
	1.0 OVER	30 UNDER	±0.25	APPROVED BY: MSASAO	DATE: 2006/08/21		
30 OVER	±0.3	ANGULAR	±1 °	SEE SHEET 1 OF 2	DOCUMENT NO. SD-501951-003	SHEET NO. 2 OF 2	
DRAFT WHERE APPLICABLE MUST REMAIN WITHIN DIMENSIONS				THIS DRAWING CONTAINS INFORMATION THAT IS PROPRIETARY TO MOLEX INCORPORATED AND SHOULD NOT BE USED WITHOUT WRITTEN PERMISSION			

10 9 8 7 6 5 4 3 2 1

F

E

D

C

B

A

F

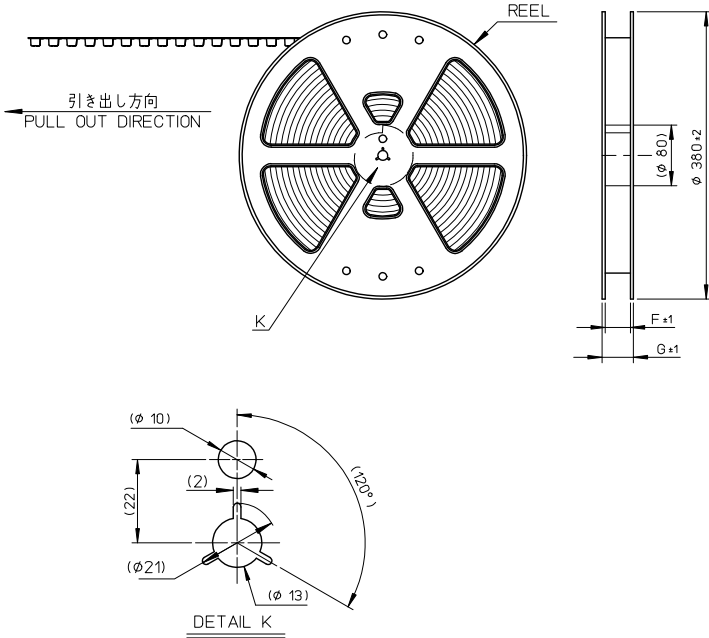
E

D

C

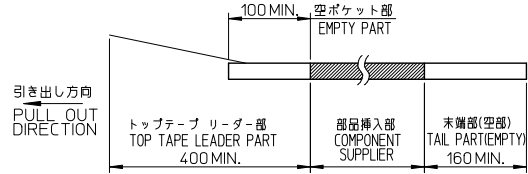
B

A



NOTES

1. 製品詳細寸法については図面 SD-501951-003を参照下さい。
FOR DIMENSIONS OF PRODUCT, REFER TO SD-501951-003.
2. 梱包数量 : 2000個/リール
NUMBER OF CONNECTORS : 2000PIECES/REEL
3. リードテープ長さ
LEAD TAPE LENGTH



4. 材料 MATERIAL

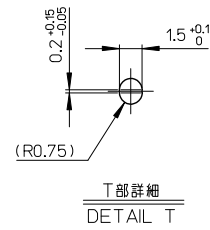
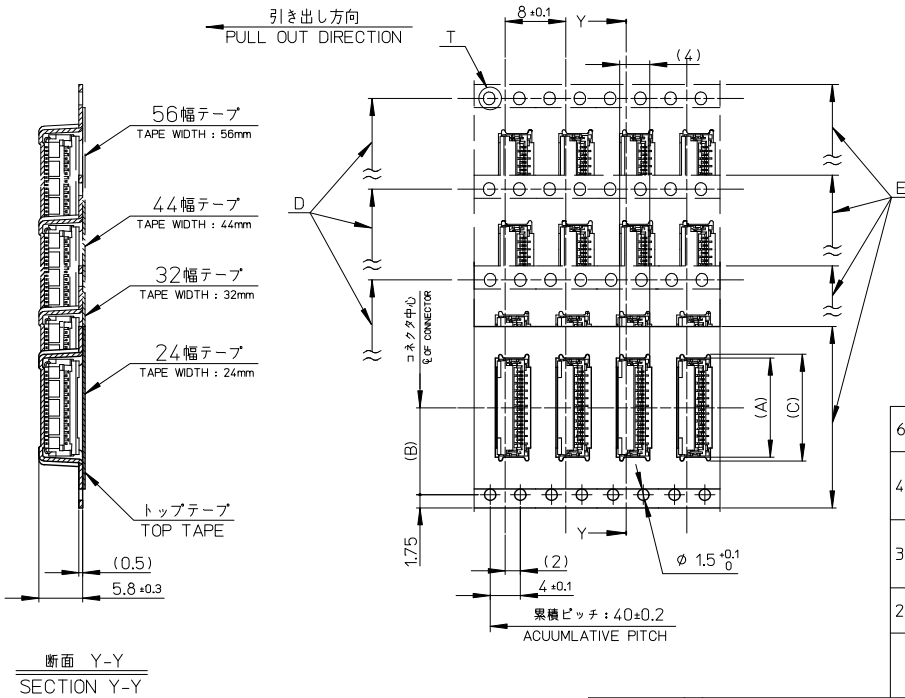
キャリアテープ : ポリプロピレン
CARRIER TAPE : POLYPROPYLENE
トップテープ : ポリエチレンテレフタレート, ポリエチレン
TOP TAPE : POLYETHYLENE TEREPHTHALATE , POLYETHYLENE
リール : ポリスチレン<リサイクル材を含む>
REEL : POLYSTYRENE<RECYCLE MATERIAL CONTAINED>

5. ELV及びRoHS適合品 ELV AND RoHS COMPLIANT

REVISED EC NO. J2014-0085 DRAWN BY: IDRANKONDO 2013/07/17 CHECKED BY: CHIKOKITAKAHASHI 2013/07/17 APPR. YINGGAMA 2013/07/17	GENERAL TOLERANCES (UNLESS SPECIFIED)		DIMENSION STYLE MM ONLY		SCALE ---	DESIGN UNITS METRIC	THIRD ANGLE PROJECTION
	10 UNDER	± 0.2	DRAWN BY	DATE	TITLE		
	10 OVER 30 UNDER	± 0.25	TRSUZUKI	2006/09/05	0.5 FPC CONN. HSG ASSY E/O STRAIGHT EMBSTP PKG (GOLD)		
	30 OVER	± 0.3	CHECKED BY	DATE			
ANGULAR ±1 °		HIRATA	2006/09/05	DOCUMENT NO.			
DRAFT WHERE APPLICABLE MUST REMAIN WITHIN DIMENSIONS		APPROVED BY		DATE	SD-501951-004		1 OF 2
		MSASAO		2006/09/05	SEE CHART		
		MATERIAL NO.		THIS DRAWING CONTAINS INFORMATION THAT IS PROPRIETARY TO MOLEX INCORPORATED AND SHOULD NOT BE USED WITHOUT WRITTEN PERMISSION			

9 8 7 6 5 4 3 2 1

10 9 8 7 6 5 4 3 2 1



61.4	57.4	56±0.3	52.4	39.1	26.2	38.1	501951-7010	70
				34.1		33.1	501951-6010	60
				29.1	20.2	28.1	501951-5010	50
49.4	45.4	44±0.3	40.4	26.6		25.6	501951-4510	45
				24.1		23.1	501951-4010	40
				20.1		19.1	501951-3210	32
37.4	33.4	32±0.3	28.4	19.1	14.2	18.1	501951-3010	30
				16.1		15.1	501951-2410	24
				15.1	11.5	14.1	501951-2210	22
29.4	25.4	24±0.3		14.1		13.1	501951-2010	20
G	F	E	D	(C)	(B)	(A)	製品番号 MATERIAL NO.	極数 CIRCUITS

REVISIONS EC NO. J2014-0085 2013/07/17 DRW:KONDO 2013/07/17 CHK:KAKAHASHI 2013/07/17 APPR:INOUE 2013/07/17	GENERAL TOLERANCES (UNLESS SPECIFIED)		DIMENSION STYLE		SCALE	DESIGN UNITS	THIRD ANGLE PROJECTION	
			MM ONLY		---	METRIC		
	10 UNDER	± 0.2	DRAWN BY	DATE	TITLE			
	10 OVER 30 UNDER	± 0.25	TRSUZUKI	2006/09/05	0.5 FPC CONN. HSG ASSY E/O STRAIGHT EMBSTP PKG (GOLD)			
	30 OVER	± 0.3	CHECKED BY	DATE				
ANGULAR	± 1°	HIRATA	2006/09/05					
DRAFT WHERE APPLICABLE MUST REMAIN WITHIN DIMENSIONS		APPROVED BY	DATE	MATERIAL NO.	DOCUMENT NO.	SHEET NO.		
		MSASAO	2006/09/05		SD-501951-004	2 OF 2		
		SEE CHART		THIS DRAWING CONTAINS INFORMATION THAT IS PROPRIETARY TO MOLEX INCORPORATED AND SHOULD NOT BE USED WITHOUT WRITTEN PERMISSION				

9 8 7 6 5 4 3 2 1