

Excellent Integrated System Limited

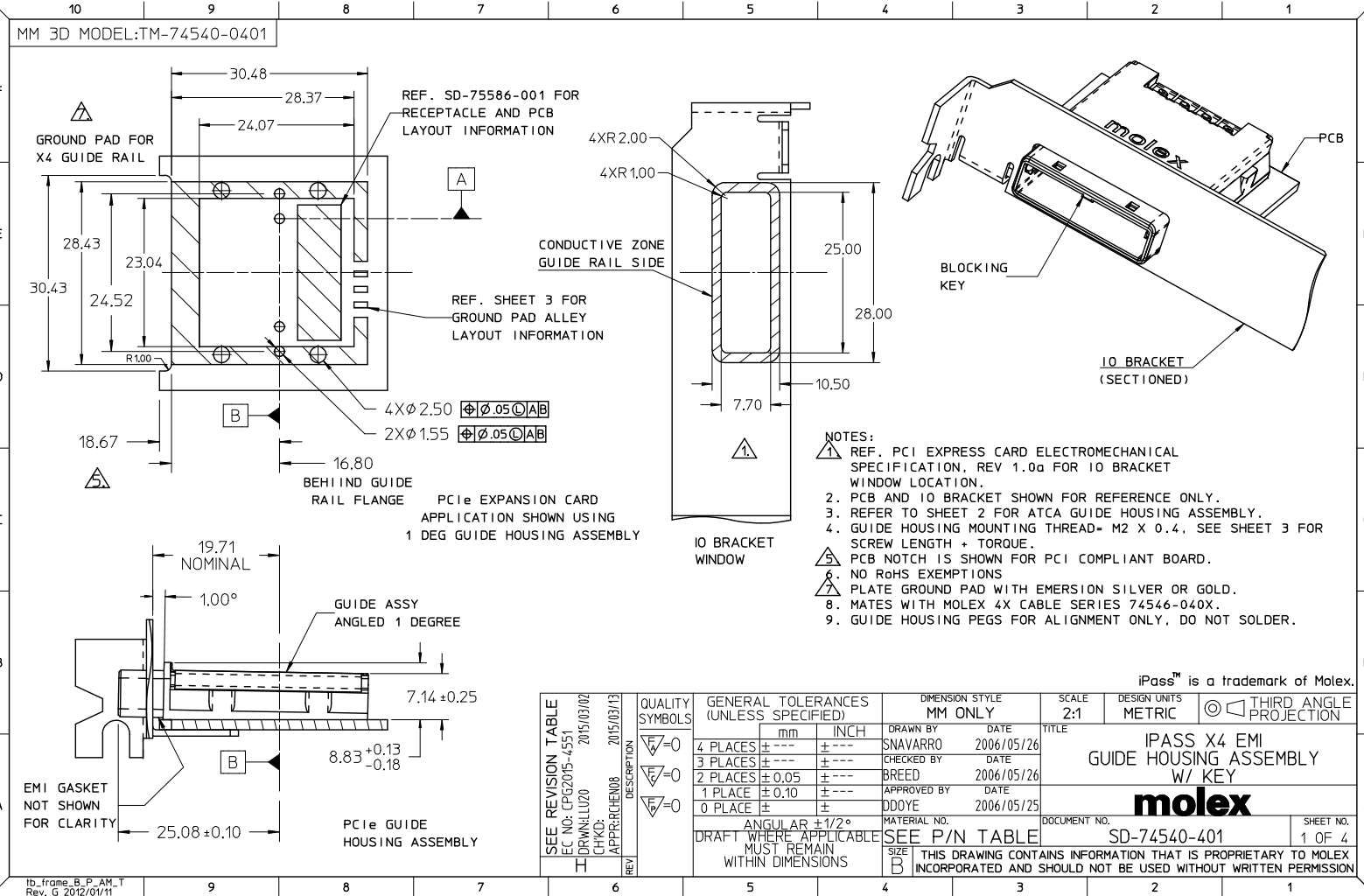
Stocking Distributor

Click to view price, real time Inventory, Delivery & Lifecycle Information:

[Molex Connector Corporation](#)
[0745400401](#)

For any questions, you can email us directly:

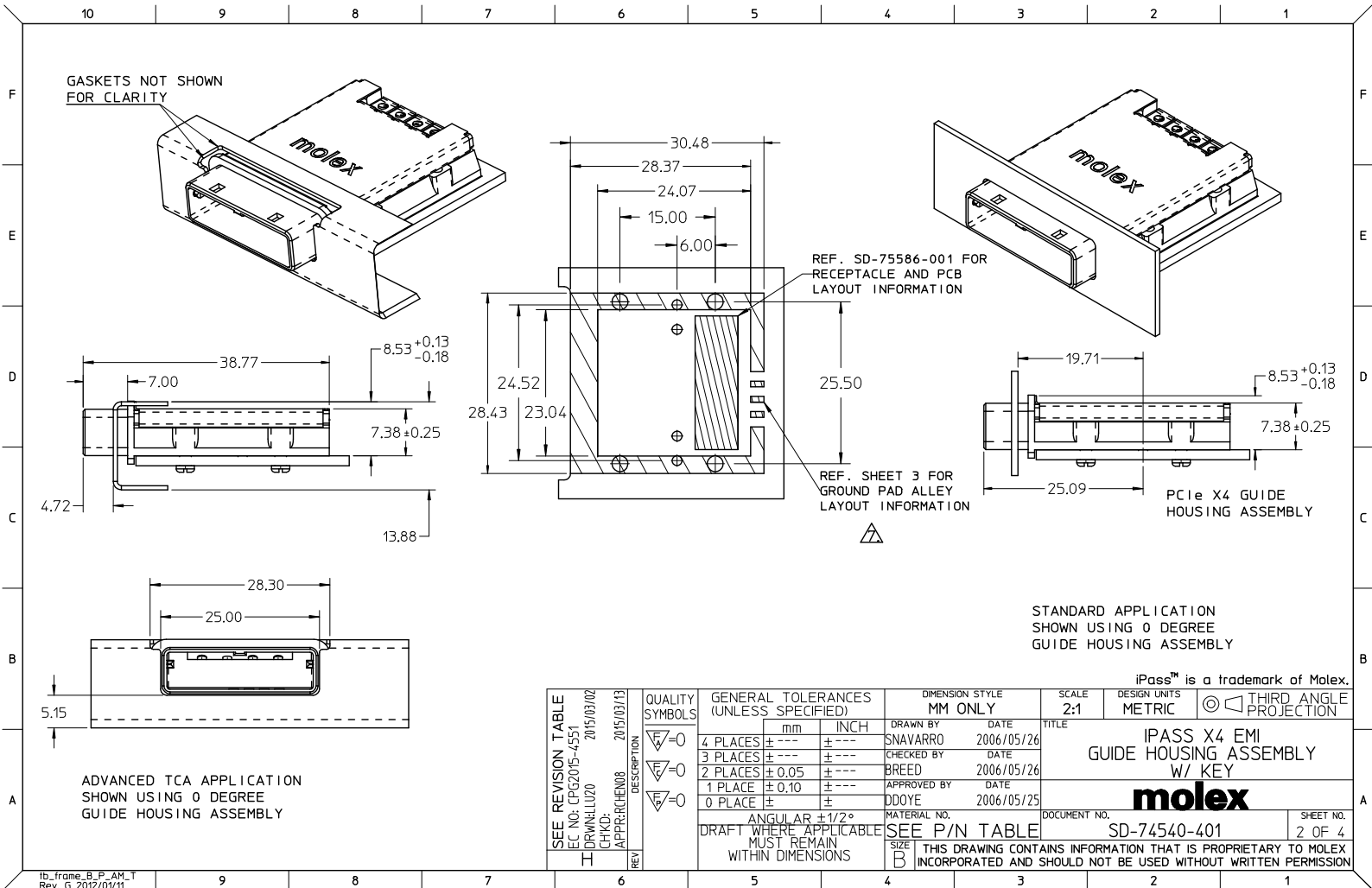
sales@integrated-circuit.com



- NOTES:**
- REF. PCI EXPRESS CARD ELECTROMECHANICAL SPECIFICATION, REV 1.0a FOR IO BRACKET WINDOW LOCATION.
 - PCB AND IO BRACKET SHOWN FOR REFERENCE ONLY.
 - REFER TO SHEET 2 FOR ATCA GUIDE HOUSING ASSEMBLY.
 - GUIDE HOUSING MOUNTING THREAD- M2 X 0.4. SEE SHEET 3 FOR SCREW LENGTH + TORQUE.
 - PCB NOTCH IS SHOWN FOR PCI COMPLIANT BOARD.
 - NO RoHS EXEMPTIONS
 - PLATE GROUND PAD WITH EMERSION SILVER OR GOLD.
 - MATES WITH MOLEX 4X CABLE SERIES 74546-040X.
 - GUIDE HOUSING PEGS FOR ALIGNMENT ONLY. DO NOT SOLDER.

SEE REVISION TABLE EC NO: CPG2015-4551 DRAWN BY: LLO20 CHECKED: LLO20 APPROVED: LLO20 DATE: 2015/03/02 DATE: 2015/03/13	QUALITY SYMBOLS ▽=0 ▽=0 ▽=0	GENERAL TOLERANCES (UNLESS SPECIFIED)		DIMENSION STYLE MM ONLY		SCALE 2:1	DESIGN UNITS METRIC	THIRD ANGLE PROJECTION	
		mm	INCH	DRAWN BY SNAVARRO	DATE 2006/05/26	TITLE IPASS X4 EMI GUIDE HOUSING ASSEMBLY W/ KEY molex DOCUMENT NO. SD-74540-401 SHEET NO. 1 OF 4			
		±	±	CHECKED BY BREED	DATE 2006/05/26				
		±0.05	±	APPROVED BY DDOYE	DATE 2006/05/25				
±0.10	±	MATERIAL NO. SEE P/N TABLE							
ANGULAR ±1/2° DRAFT WHERE APPLICABLE MUST REMAIN WITHIN DIMENSIONS		MATERIAL NO. SEE P/N TABLE							

1d_frame_B_P_AH_T
Rev. G 2012/01/11



ADVANCED TCA APPLICATION
SHOWN USING 0 DEGREE
GUIDE HOUSING ASSEMBLY

STANDARD APPLICATION
SHOWN USING 0 DEGREE
GUIDE HOUSING ASSEMBLY

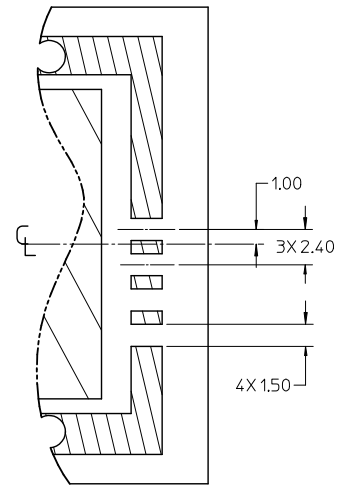
iPass™ is a trademark of Molex.

SEE REVISION TABLE EC NO: CP62015-4551 DRW: LUCO CHKD: APPR: CHEN08 2015/03/02 2015/03/13	QUALITY SYMBOLS $\nabla=0$ $\nabla=0$ $\nabla=0$	GENERAL TOLERANCES (UNLESS SPECIFIED) <table border="1"> <thead> <tr> <th></th> <th>mm</th> <th>INCH</th> </tr> </thead> <tbody> <tr> <td>4 PLACES</td> <td>± .10</td> <td>± .004</td> </tr> <tr> <td>3 PLACES</td> <td>± .15</td> <td>± .006</td> </tr> <tr> <td>2 PLACES</td> <td>± 0.05</td> <td>± .002</td> </tr> <tr> <td>1 PLACE</td> <td>± 0.10</td> <td>± .004</td> </tr> <tr> <td>0 PLACE</td> <td>± .15</td> <td>± .006</td> </tr> </tbody> </table>		mm	INCH	4 PLACES	± .10	± .004	3 PLACES	± .15	± .006	2 PLACES	± 0.05	± .002	1 PLACE	± 0.10	± .004	0 PLACE	± .15	± .006	DIMENSION STYLE MM ONLY	SCALE 2:1	DESIGN UNITS METRIC	THIRD ANGLE PROJECTION
		mm	INCH																					
	4 PLACES	± .10	± .004																					
	3 PLACES	± .15	± .006																					
2 PLACES	± 0.05	± .002																						
1 PLACE	± 0.10	± .004																						
0 PLACE	± .15	± .006																						
DRAWN BY: SNAVARRO CHECKED BY: BREED APPROVED BY: DDOYE DATE: 2006/05/26 DATE: 2006/05/26 DATE: 2006/05/25	MATERIAL NO. SEE P/N TABLE	DOCUMENT NO. SD-74540-401	TITLE IPASS X4 EMI GUIDE HOUSING ASSEMBLY W/ KEY	SHEET NO. 2 OF 4																				
ANGULAR ±1/2° DRAFT WHERE APPLICABLE MUST REMAIN WITHIN DIMENSIONS	THIS DRAWING CONTAINS INFORMATION THAT IS PROPRIETARY TO MOLEX INCORPORATED AND SHOULD NOT BE USED WITHOUT WRITTEN PERMISSION																							

10 9 8 7 6 5 4 3 2 1

P/N	DESCRIPTION	GEN	ELASTOMERIC GASKET FLAMMABILITY RATING
745400401	4X EMI GUIDE HOUSING ASSEMBLY - PCIE / 1 DEG	GEN1	
745400406	4X EMI GUIDE HOUSING ASSEMBLY - PCIE / 1 DEG	GEN1	EQUATE TO UL94 V-0
745400501	4X EMI GUIDE HOUSING ASSEMBLY - ATCA / 0 DEG	GEN1	
745400407	4X EMI GUIDE HOUSING ASSEMBLY - PCIE / 1 DEG WITH 5MM SCREWS	GEN1	

PCB THICKNESS	SCREW LENGTH	TORQUE(IN LBS)
1.6	5MM	2.3
2.38	6MM	2.3
3.2	6MM	2.3
X	+4MM MAX	2.3



PARTIAL1
SCALE 4:1
GROUND PAD ALLEY
LAYOUT INFORMATION

SEE REVISION TABLE EC NO: CP62015-4551 DRAWN: LUD0 CHKD: APPR: RCHEN08 DATE: 2015/03/02 DATE: 2015/03/13	QUALITY SYMBOLS	GENERAL TOLERANCES (UNLESS SPECIFIED)	DIMENSION STYLE	SCALE	DESIGN UNITS	THIRD ANGLE PROJECTION
	$\nabla=0$ $\nabla=0$ $\nabla=0$	mm INCH 4 PLACES ± --- ± --- 3 PLACES ± --- ± --- 2 PLACES ± 0.05 ± --- 1 PLACE ± 0.10 ± --- 0 PLACE ± ±	MM ONLY	1:1	METRIC	IPASS X4 EMI GUIDE HOUSING ASSEMBLY W/ KEY
	DRAWN BY: SNAVARRO CHECKED BY: BREED APPROVED BY: DDOYE DATE: 2006/05/26 DATE: 2006/05/26 DATE: 2006/05/25	MATERIAL NO. SEE P/N TABLE	DOCUMENT NO. SD-74540-401	SHEET NO. 3 OF 4		
	ANGULAR ±1/2° DRAFT WHERE APPLICABLE MUST REMAIN WITHIN DIMENSIONS					

9 8 7 6 5 4 3 2 1

10 9 8 7 6 5 4 3 2 1

REVISION TABLE

DATE	REV	DESCRIPTION
2014/05/09	G	1. ADDED *MM 3D MODEL: TM-74540-0401* ON LEFT TOP CORNER [SHT 1] 2. REVISED NOTE 6. FROM *THIS PRODUCT MEETS THE RESTRICTION OF HAZARDOUS SUBSTANCES IN ELECTRICAL AND ELECTRONIC EQUIPMENT (RoHS) DIRECTIVE (2002/95/EC)* TO *NO RoHS EXEMPTIONS* [SHT 1] 3. ADDED P/N 745400406 [SHT 3]
2015/03/02	H	1. ADDED P/N 745400407. [SHT 3]

SEE REVISION TABLE EC NO: CP62015-4551 DRAWN BY: DRWELLU20 CHKD: APPR:RCHEN08 DATE: 2015/03/13	QUALITY SYMBOLS	GENERAL TOLERANCES (UNLESS SPECIFIED)	DIMENSION STYLE	SCALE	DESIGN UNITS	THIRD ANGLE PROJECTION	
	$\nabla = 0$ $\nabla = 0$ $\nabla = 0$	mm INCH 4 PLACES ± --- ± --- 3 PLACES ± --- ± --- 2 PLACES ± 0.05 ± --- 1 PLACE ± 0.10 ± --- 0 PLACE ± ±	MM ONLY	DRAWN BY: SNAVARRO DATE: 2006/05/26 CHECKED BY: DATE:	METRIC	IPASS X4 EMI GUIDE HOUSING ASSEMBLY W/ KEY 	THIRD ANGLE PROJECTION
	DESCRIPTION	ANGULAR ±1/2° DRAFT WHERE APPLICABLE MUST REMAIN WITHIN DIMENSIONS	APPROVED BY: DDOYE DATE: 2006/05/25 MATERIAL NO.	TITLE: IPASS X4 EMI GUIDE HOUSING ASSEMBLY W/ KEY	DOCUMENT NO.		SHEET NO.
	REV	SEE P/N TABLE	SEE P/N TABLE	SIZE: B THIS DRAWING CONTAINS INFORMATION THAT IS PROPRIETARY TO MOLEX INCORPORATED AND SHOULD NOT BE USED WITHOUT WRITTEN PERMISSION	SD-74540-401		4 OF 4

9 8 7 6 5 4 3 2 1