

## **Excellent Integrated System Limited**

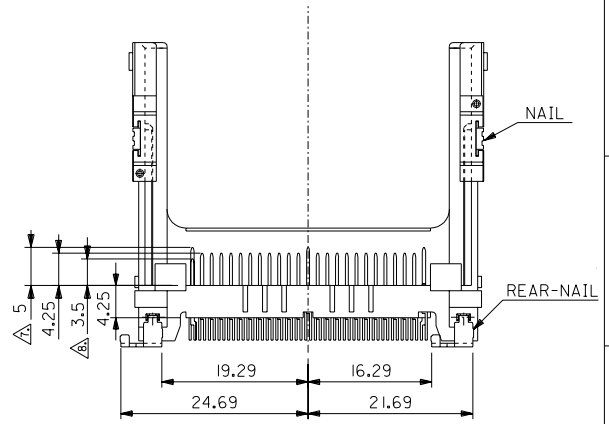
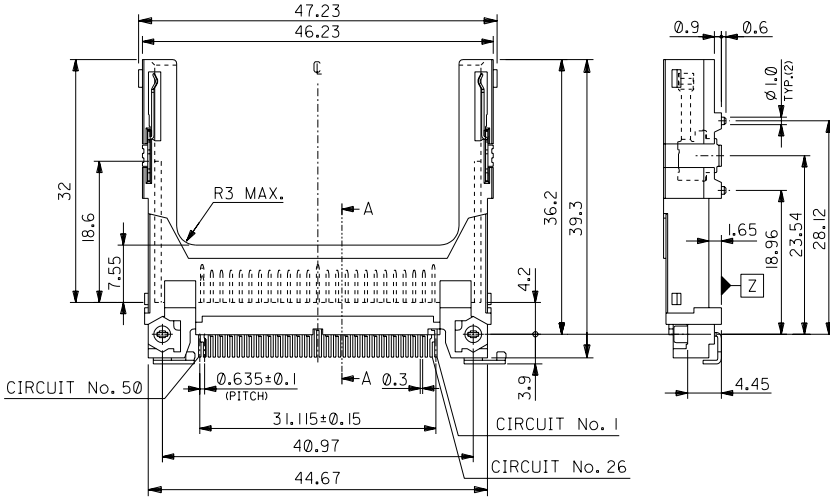
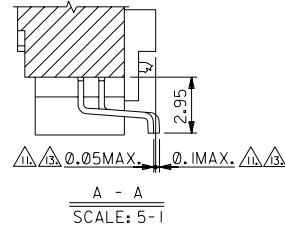
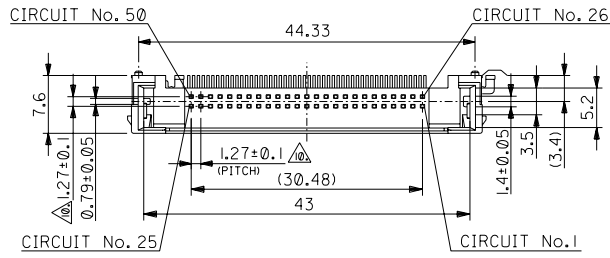
Stocking Distributor

Click to view price, real time Inventory, Delivery & Lifecycle Information:

[Molex Connector Corporation](#)  
[0553585028](#)

For any questions, you can email us directly:  
[sales@integrated-circuit.com](mailto:sales@integrated-circuit.com)

DWG. NO. SD-55358-014



DO NOT SCALE DRAWING

EC NO. DRAWN: CHK'G: APPR:	EC NO. DRAWN: CHK'G: APPR:	EC NO. DRAWN: CHK'G: APPR:	EC NO. DRAWN: CHK'G: APPR:	EC NO. DRAWN: CHK'G: APPR:	RELEASED EC NO. J2004-3952 DRAWN: MANABEI 04/04/22 CHK'G: K.TOUJO 04/04/22 APPR: M.SASAO 04/04/22 DESCRIPTION MATERIAL 材料 SEE NOTES FINISH 仕上り SEE NOTES WIRE RANGE 適用電線範囲 INS. RANGE 被覆外径
8	7	6	5	4	3

55358-5028		55358-5029	55358-50**
HARD TRAY PACKAGE		MATERIAL No.	MODEL No.
SCALE 2 -	DESIGN UNITS <input type="checkbox"/> mm <input type="checkbox"/> INCH	DIMENSIONS: <input type="checkbox"/> mm <input type="checkbox"/> INCH <input checked="" type="checkbox"/> BOTH ONLY	
GENERAL TOLERANCES: (UNLESS SPECIFIED) 10 UNDER 未満 10 OVER 以上 30 UNDER 未満 30 OVER 以上	DRAWN BY & DATE M.NABEI 04/04/22 CHECKED BY & DATE K.TOUJO 04/04/22 APPROVED BY & DATE H. Saito 04/04/22 CAD FILENAME SD-55358-014.S01	THIRD ANGLE PROJECTION TITLE: CF CARD CONN. 50P HEADER ASS'Y (TYPE 1/II, NORMAL) -LEAD FREE- MOLEX INCORPORATED MATERIAL NO. SEE CHART DRAWING NO. SD-55358-014 SHEET NO. 1 OF 2	
ANGLE 角度	THIS DRAWING CONTAINS INFORMATION THAT IS PROPRIETARY TO MOLEX INCORPORATED AND SHOULD NOT BE USED WITHOUT WRITTEN PERMISSION.		
			EN-02J(097) MXJ-54

DWG. NO. SD-55358-014

**注) NOTES**

**1. MATERIAL**  
 ハウジング: ガラス入りLCP UL 94V-0  
 HOUSING: LIQUID CRYSTAL POLYMER G.F. UL94V-0  
 ピン: リン青銅  
 PIN: PHOSPHOR BRONZE  
 ネール: リン青銅 (t0.3)  
 NAIL: PHOSPHOR BRONZE (t0.3)  
 リヤネール: リン青銅 (t0.48)  
 REAR-NAIL: PHOSPHOR BRONZE (t0.48)

**2. メッキ仕様 PLATING**  
 ピン 接点部: パラジウムニッケル下地、金メッキ  
 CONTACT AREA: GOLD OVER PALLADIUM-NICKEL  
 半田付け部: 錫メッキ  
 SOLDER TAIL AREA: TIN  
 下地メッキ: ニッケルメッキ  
 UNDERPLATING: NICKEL OVER ALL  
 ネール 接点部: 金メッキ  
 CONTACT AREA: GOLD  
 半田付け部: 錫メッキ  
 SOLDER TAIL AREA: TIN  
 下地メッキ: ニッケルメッキ  
 UNDERPLATING: NICKEL OVER ALL  
 リヤネール 錫メッキ  
 REAR-NAIL TIN  
 下地メッキ: ニッケルメッキ  
 UNDERPLATING: NICKEL OVER ALL

**3. 推奨基板厚**  
 : t = 0.8 MIN.  
 RECOMMENDED P.C.B. THICKNESS: t = 0.8 MIN.

**4. 適合カード厚**  
 : 3.3±0.1 (TYPE I) AND 5 MAX. (TYPE II)  
 RECOMMENDED CARD THICKNESS: 3.3±0.1 (TYPE I) AND 5 MAX. (TYPE II)

**5. 適合カード幅**  
 : 42.8±0.1  
 RECOMMENDED CARD WIDTH: 42.8±0.1

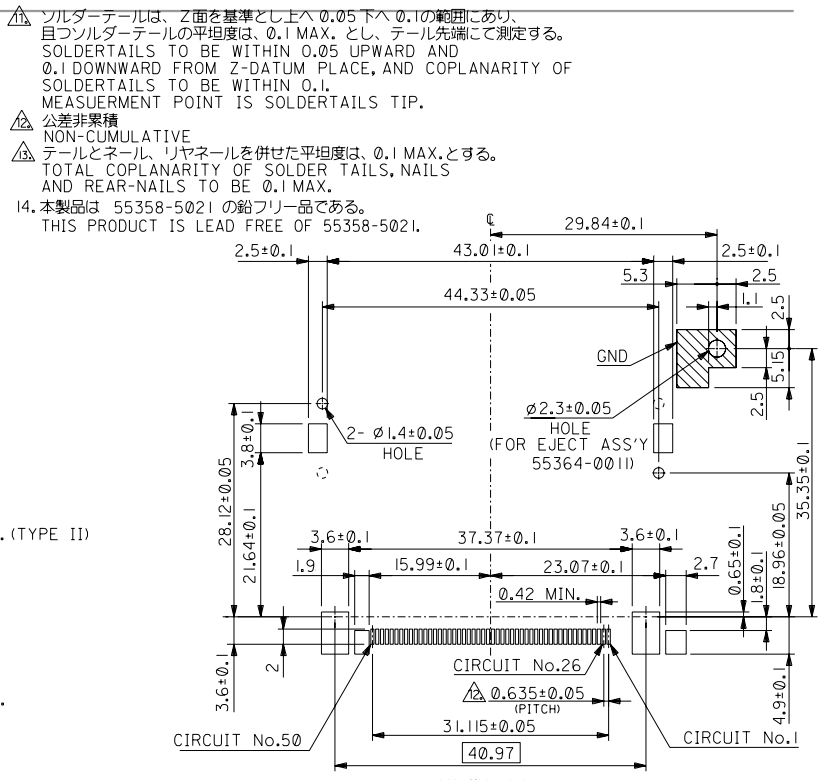
**6. ハウジング色**  
 : 黒  
 HOUSING COLOR: BLACK

**寸法適用種**  
 : 1, 13, 38, 50  
 THIS DIMENSION APPLIES TO CIRCUIT NUMBERS 1, 13, 38 AND 50.

**寸法適用種**  
 : 25, 26  
 THIS DIMENSION APPLIES TO CIRCUIT NUMBERS 25 AND 26.

**ピンの倒れは、ピン根元を基準に全方向へ 0.1 MAX. とする。**  
 PIN TIP LEAN TOWARD ANY DIRECTION NOT TO EXCEED 0.1 WHEN MEASURED FROM PIN BASE.

**ピン根元に適用する。**  
 THIS DIMENSION TO BE MEASURED AT PIN BASE.

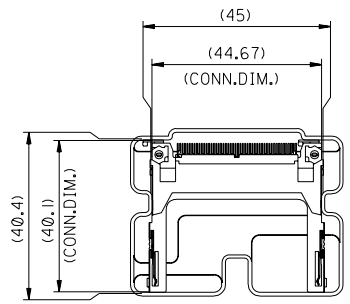
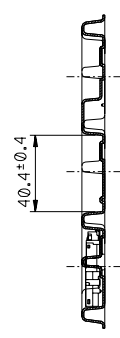
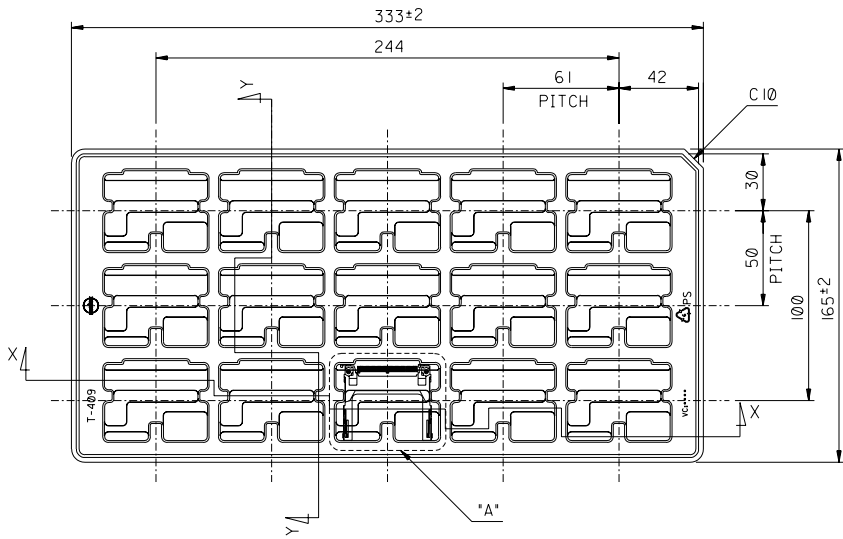


基板推奨寸法  
 RECOMMENDED P.C.B. LAYOUT

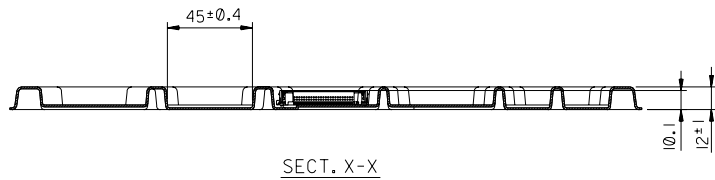
DO NOT SCALE DRAWING

EC NO. / DRAWN: / CHK'G: / APPR:			EC NO. / DRAWN: / CHK'G: / APPR:			EC NO. / DRAWN: / CHK'G: / APPR:			EC NO. / DRAWN: / CHK'G: / APPR:			EC NO. / DRAWN: / CHK'G: / APPR:			EC NO. / DRAWN: / CHK'G: / APPR:			REV. DESCRIPTION			MATERIAL 材料			GENERAL TOLERANCES: (UNLESS SPECIFIED) 一般公差			SCALE 2 - 1			DESIGN UNITS mm INCH			MODEL NO.			DIMENSIONS: mm INCH mm INCH			SHT REV																				
																		SEE NOTES			SEE NOTES			SEE NOTES			SEE NOTES			SEE NOTES			SEE NOTES			DRAWN BY & DATE M.NABEI 04/04/22			CHECKED BY & DATE K.TOJO 04/04/22			APPROVED BY & DATE H. SAKAI 04/04/22			CAD FILENAME SD-55358-014.S02			TITLE: CF CARD CONN. 50P HEADER ASS'Y (TYPE I/II, NORMAL) -LEAD FREE-			MATERIAL NO.			DRAWING NO. SD-55358-014			SHEET NO. 2		
																		WIRE RANGE 適用電線範囲			INS. RANGE 被覆外径			ANGLE 角度			THIS DRAWING CONTAINS INFORMATION THAT IS PROPRIETARY TO MOLEX INCORPORATED AND SHOULD NOT BE USED WITHOUT WRITTEN PERMISSION.			EN-02J(097) MXJ-54			SD-55358-014-28																										

DWG. NO. SD-55358-016



DETAIL A  
(SCALE 1-1)



SECTION X-X

NOTES

1. 一般公差: ±0.5  
GENERAL TOLERANCES: ±0.5
2. 反り: 2MAX.  
WARP: 2MAX.
3. 梱包数: 15個  
PACKAGING QUANTITY: 15PCS.
4. 本製品は 55358-5026/-5036 の鉛フリー品である。  
THIS PRODUCT IS LEAD FREE OF 55358-5026/-5036.

15	55358-5039	55358-5038	50
梱包数量 QUANTITY	コネクタ番号 CONNECTOR No.	製品番号 MATERIAL No.	種数 CKT.

DO NOT SCALE DRAWING		EIS NO. J2004-3952 DRAWN: M.NABEI CHK: K.TOJO APPR: M.SASAO		MATERIAL 材料 POLYSTYRENE (t = 1.0)		GENERAL TOLERANCES: (UNLESS SPECIFIED) 一般公差		SCALE 1:2 DESIGN UNITS mm INCH		MODEL NO. 55358-50**		DIMENSIONS: mm INCH		SHT REV	
EIS NO. J2004-3952 DRAWN: M.NABEI CHK: K.TOJO APPR: M.SASAO		EIS NO. J2004-3952 DRAWN: M.NABEI CHK: K.TOJO APPR: M.SASAO		EIS NO. J2004-3952 DRAWN: M.NABEI CHK: K.TOJO APPR: M.SASAO		EIS NO. J2004-3952 DRAWN: M.NABEI CHK: K.TOJO APPR: M.SASAO		DRAWN BY & DATE M.NABEI '04/04/22		TITLE: TRAY FOR CF CARD CONN. 50P HEADER HS'G ASS'Y -LEAD FREE-		mm INCH		BY DATE ON CAD ONLY	
EIS NO. J2004-3952 DRAWN: M.NABEI CHK: K.TOJO APPR: M.SASAO		EIS NO. J2004-3952 DRAWN: M.NABEI CHK: K.TOJO APPR: M.SASAO		EIS NO. J2004-3952 DRAWN: M.NABEI CHK: K.TOJO APPR: M.SASAO		EIS NO. J2004-3952 DRAWN: M.NABEI CHK: K.TOJO APPR: M.SASAO		CHECKED BY & DATE K.TOJO '04/04/22		MOLEX INCORPORATED		mm INCH		BY DATE ON CAD ONLY	
EIS NO. J2004-3952 DRAWN: M.NABEI CHK: K.TOJO APPR: M.SASAO		EIS NO. J2004-3952 DRAWN: M.NABEI CHK: K.TOJO APPR: M.SASAO		EIS NO. J2004-3952 DRAWN: M.NABEI CHK: K.TOJO APPR: M.SASAO		EIS NO. J2004-3952 DRAWN: M.NABEI CHK: K.TOJO APPR: M.SASAO		APPROVED BY & DATE M.SASAO '04/04/22		MATERIAL NO. SEE CHART		DRAWING NO. SD-55358-016		SHEET NO. 1 OF 1	
EIS NO. J2004-3952 DRAWN: M.NABEI CHK: K.TOJO APPR: M.SASAO		EIS NO. J2004-3952 DRAWN: M.NABEI CHK: K.TOJO APPR: M.SASAO		EIS NO. J2004-3952 DRAWN: M.NABEI CHK: K.TOJO APPR: M.SASAO		EIS NO. J2004-3952 DRAWN: M.NABEI CHK: K.TOJO APPR: M.SASAO		CAD FILENAME SD-55358-016.S01		MATERIAL NO. SEE CHART		DRAWING NO. SD-55358-016		SHEET NO. 1 OF 1	
EIS NO. J2004-3952 DRAWN: M.NABEI CHK: K.TOJO APPR: M.SASAO		EIS NO. J2004-3952 DRAWN: M.NABEI CHK: K.TOJO APPR: M.SASAO		EIS NO. J2004-3952 DRAWN: M.NABEI CHK: K.TOJO APPR: M.SASAO		EIS NO. J2004-3952 DRAWN: M.NABEI CHK: K.TOJO APPR: M.SASAO		ANGLE 角度 ±3°		MATERIAL NO. SEE CHART		DRAWING NO. SD-55358-016		SHEET NO. 1 OF 1	
EIS NO. J2004-3952 DRAWN: M.NABEI CHK: K.TOJO APPR: M.SASAO		EIS NO. J2004-3952 DRAWN: M.NABEI CHK: K.TOJO APPR: M.SASAO		EIS NO. J2004-3952 DRAWN: M.NABEI CHK: K.TOJO APPR: M.SASAO		EIS NO. J2004-3952 DRAWN: M.NABEI CHK: K.TOJO APPR: M.SASAO		FINISH 仕上り //		MATERIAL NO. SEE CHART		DRAWING NO. SD-55358-016		SHEET NO. 1 OF 1	
EIS NO. J2004-3952 DRAWN: M.NABEI CHK: K.TOJO APPR: M.SASAO		EIS NO. J2004-3952 DRAWN: M.NABEI CHK: K.TOJO APPR: M.SASAO		EIS NO. J2004-3952 DRAWN: M.NABEI CHK: K.TOJO APPR: M.SASAO		EIS NO. J2004-3952 DRAWN: M.NABEI CHK: K.TOJO APPR: M.SASAO		WIRE RANGE 適用電線範囲 //		MATERIAL NO. SEE CHART		DRAWING NO. SD-55358-016		SHEET NO. 1 OF 1	
EIS NO. J2004-3952 DRAWN: M.NABEI CHK: K.TOJO APPR: M.SASAO		EIS NO. J2004-3952 DRAWN: M.NABEI CHK: K.TOJO APPR: M.SASAO		EIS NO. J2004-3952 DRAWN: M.NABEI CHK: K.TOJO APPR: M.SASAO		EIS NO. J2004-3952 DRAWN: M.NABEI CHK: K.TOJO APPR: M.SASAO		INS. RANGE 検査外径 //		MATERIAL NO. SEE CHART		DRAWING NO. SD-55358-016		SHEET NO. 1 OF 1	
EIS NO. J2004-3952 DRAWN: M.NABEI CHK: K.TOJO APPR: M.SASAO		EIS NO. J2004-3952 DRAWN: M.NABEI CHK: K.TOJO APPR: M.SASAO		EIS NO. J2004-3952 DRAWN: M.NABEI CHK: K.TOJO APPR: M.SASAO		EIS NO. J2004-3952 DRAWN: M.NABEI CHK: K.TOJO APPR: M.SASAO		ANGLE 角度 ±3°		MATERIAL NO. SEE CHART		DRAWING NO. SD-55358-016		SHEET NO. 1 OF 1	
EIS NO. J2004-3952 DRAWN: M.NABEI CHK: K.TOJO APPR: M.SASAO		EIS NO. J2004-3952 DRAWN: M.NABEI CHK: K.TOJO APPR: M.SASAO		EIS NO. J2004-3952 DRAWN: M.NABEI CHK: K.TOJO APPR: M.SASAO		EIS NO. J2004-3952 DRAWN: M.NABEI CHK: K.TOJO APPR: M.SASAO		INS. RANGE 検査外径 //		MATERIAL NO. SEE CHART		DRAWING NO. SD-55358-016		SHEET NO. 1 OF 1	