

Excellent Integrated System Limited

Stocking Distributor

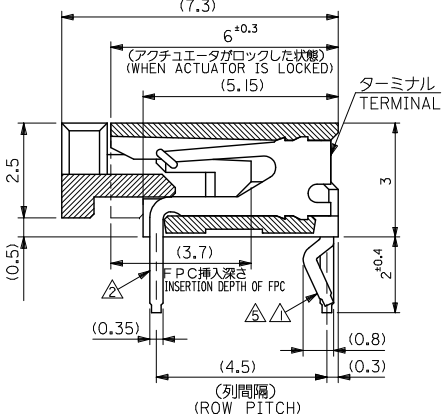
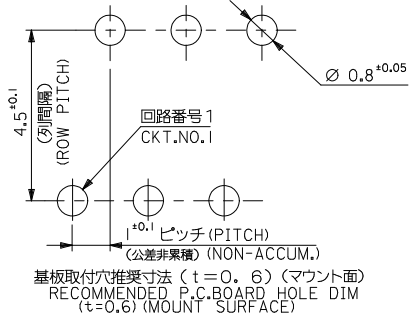
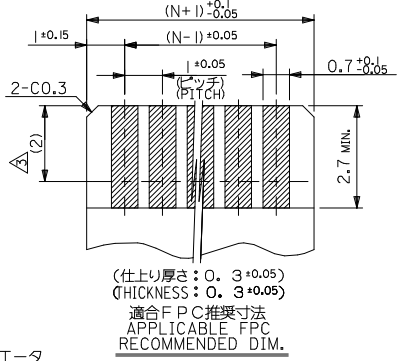
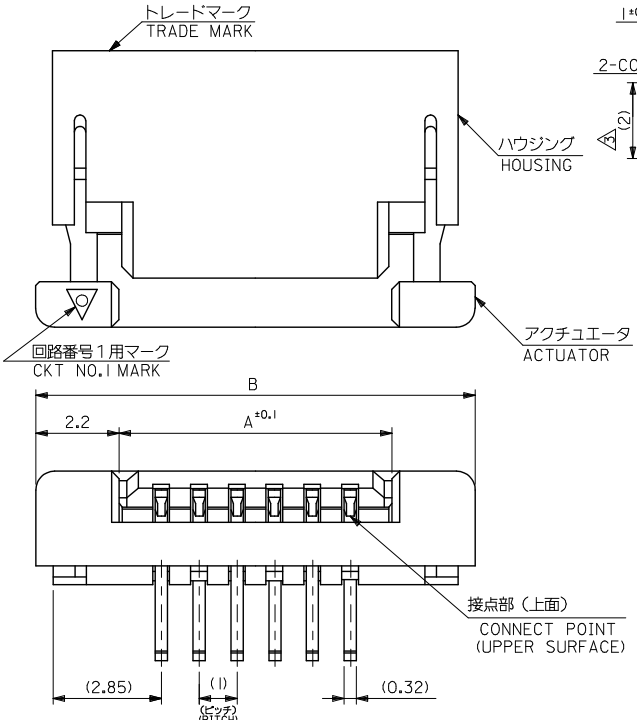
Click to view price, real time Inventory, Delivery & Lifecycle Information:

[Molex Connector Corporation](#)
[0520890819](#)

For any questions, you can email us directly:

sales@integrated-circuit.com

10 9 8 7 6 5 4 3 2 1



25.6	21.2	52089-2019	20
21.6	17.2	52089-1619	16
20.6	16.2	52089-1519	15
15.6	11.2	52089-1019	10
14.6	10.2	52089-0919	9
13.6	9.2	52089-0819	8
12.6	8.2	52089-0719	7
10.6	6.2	52089-0519	5
9.6	5.2	52089-0419	4
B	A	MATERIAL NO.	種数 CKT.

- 注記 NOTES**
- △ CKT. NO. 1を基準に偶数番目のソルダータール。
EVEN NUMBER SOLDER TAIL
 - △ CKT. NO. 1を基準に奇数番目のソルダータール。
ODD NUMBER SOLDER TAIL
 - △ 接続部までの嵌合長さ。
LENGTH TO CONTACT POINT.
 - 4. 使用材料 MATERIAL
ハウジング : 66ナイロン, UL94V-0
アクチュエータ : ポリエステル, UL94V-0
ターミナル : リン青銅, ニッケル下地 錫・ビスマスメッキ
TERMINAL : PHOS-BRO.TIN-BISMUTM OVER NICKEL-PLATED
 - △ キングはソルダータールの両端のみに適用。
KINK APPLIES BOTH SIDE △ TERMINALS ONLY
 - 6. 本製品は 52089-**10 の鉛フリー品である。
THIS PRODUCT IS LEAD FREE OF 52089-**10.

REVISED EC NO. J2016-1317 DRAWN: SHIBATA CHKD: Y010 APPR: Y010	GENERAL TOLERANCES (UNLESS SPECIFIED)		DIMENSION STYLE		SCALE	DESIGN UNITS	THIRD ANGLE PROJECTION	
	0.25 UNDER	UNDER ±0.03	MM ONLY		10:1	METRIC	◎ □	
	0.25 OVER	0.5 UNDER ±0.05	DRAWN BY DATE		TITLE			
	0.5 OVER	1.0 UNDER ±0.1	J. SASAMO 2004/7/22		1.0 FPC CONN ZIF R/A			
1.0 OVER	10 UNDER ±0.2	CHECKED BY DATE		-LEAD FREE-				
10 OVER	30 UNDER ±0.25	K. TOJO 2004/7/22		molex				
30 OVER	±0.3	APPROVED BY DATE		MATERIAL NO.		DOCUMENT NO.	SHEET NO.	
ANGULAR ±3°		N. UKITA 2004/7/22		52089-**19		SD-52089-001	1 OF 1	
DRAFT WHERE APPLICABLE MUST REMAIN WITHIN DIMENSIONS				SIZE	THIS DRAWING CONTAINS INFORMATION THAT IS PROPRIETARY TO MOLEX ELECTRONIC TECHNOLOGIES, LLC AND SHOULD NOT BE USED WITHOUT WRITTEN PERMISSION			

9 8 7 6 5 4 3 2 1