

Excellent Integrated System Limited

Stocking Distributor

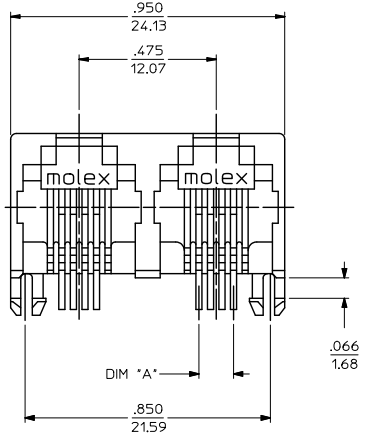
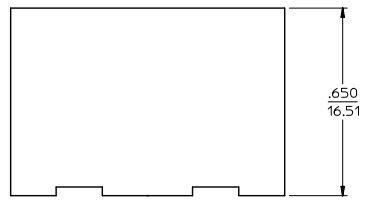
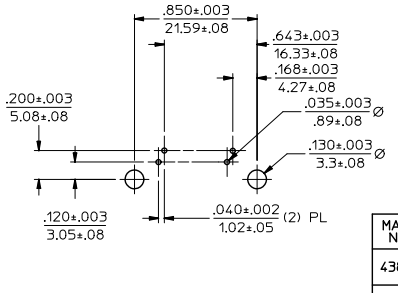
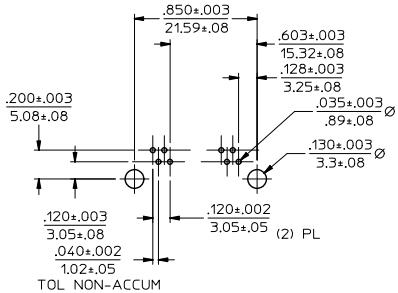
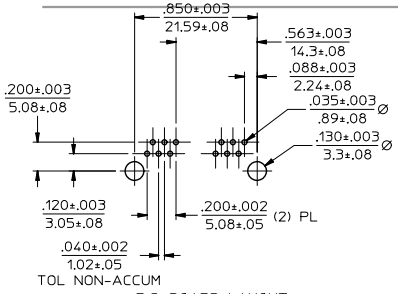
Click to view price, real time Inventory, Delivery & Lifecycle Information:

[Molex Connector Corporation](#)

[0438146621](#)

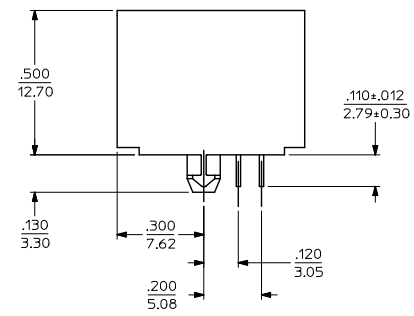
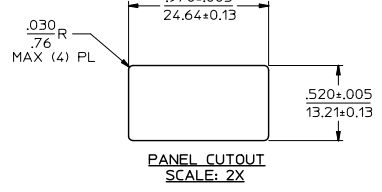
For any questions, you can email us directly:

sales@integrated-circuit.com



6 LOADED 4 ASSEMBLY SHOWN

- NOTES:
- MATERIAL:
HOUSING: NYLON(PA), GLASS FILLED, UL94V-0, COLOR: SEE CHART
TERMINALS: PHOSPHOR BRONZE, .015/(0.38) THICK
 - FINISH:
TERMINALS:
SELECT GOLD IN CONTACT AREA: 50 MICROINCHES MIN.
*SELECT TIN IN PC TAIL AREA: 100 MICROINCHES MIN.
WITH OVERALL NICKEL UNDERPLATE: 50 MICROINCHES MIN.
*THE PRIMARY SHIPPING CARTON WILL BE LABELED 'COMPLIANT TO RoHS DIRECTIVE 2002/95/EC AND ELV ANNEX II OF DIRECTIVE 2000/53/EC'. CARTONS WITHOUT THIS LABEL MAY CONTAIN PRODUCT WITH TIN-LEAD IN THE PC TAILS.
 - PRODUCT SPECIFICATION AND PROCESSING PARAMETERS: PS-43860-003.
 - PACKAGING SPECIFICATION:
CONNECTOR ASSEMBLIES PACKAGED IN EXTRUDED TUBES PER MOLEX PACKAGING SPECIFICATION PK-43685-005.
 - THIS PART CONFORMS TO CLASS B REQUIREMENTS OF COSMETIC SPECIFICATION PS-45499-002.
 - RECOMMENDED PCB THICKNESS: .062±.005/157±0.13



MATERIAL NUMBER	CIRCUITS PER PORT	DIM 'A'
438146621	6	.200/5.08
438146421	4	.120/3.05
438146221	2	.040/1.02

QUALITY SYMBOLS	GENERAL TOLERANCES (UNLESS SPECIFIED)		DIMENSION STYLE		SCALE	DESIGN UNITS	THIRD ANGLE PROJECTION
	mm	INCH	IN/MM				
▽=0	4 PLACES ±---	±---	DRAWN BY	DATE	---	INCH	☉
▽=0	3 PLACES ±---	±.010	L. LENZ	1996/12/10			
	2 PLACES ±.25	±.014	CHECKED BY	DATE	TITLE		
	1 PLACE ±.36	±---	ROBERTS	1996/12/10	INVERTED DUAL PORT RIGHT ANGLE MODULAR JACK ASSEMBLY		
	ANGULAR ±1/2°		APPROVED BY	DATE	MOLEX INCORPORATED		
			FRY	1996/12/10	MATERIAL NO. DOCUMENT NO. SHEET NO.		
					SEE CHART SD-43814-001 1 OF 1		