

Excellent Integrated System Limited

Stocking Distributor

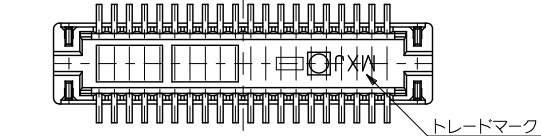
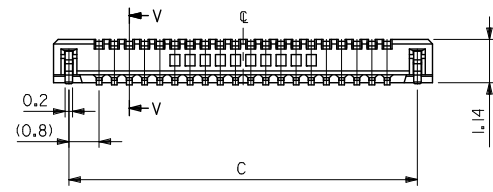
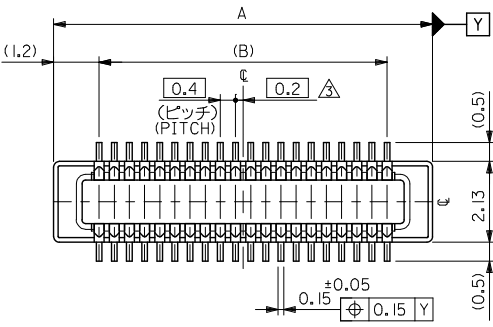
Click to view price, real time Inventory, Delivery & Lifecycle Information:

[Molex Connector Corporation](#)
[0559092474](#)

For any questions, you can email us directly:

sales@integrated-circuit.com

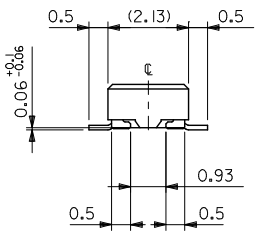
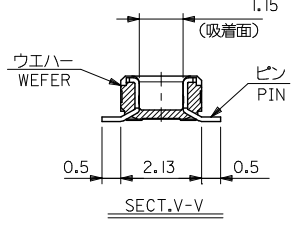
10 9 8 7 6 5 4 3 2 1



注記 NOTES:

1. 使用材料 MATERIAL
ウエハー:液晶ポリマー (LCP) ガラス充填 UL94V-0 (黒)
WAFER: LIQUID CRYSTAL POLYMER (GLASS FILLED) UL94V-0 (COLOR:BLACK)
ピン:黄銅 (t=0.12)
PIN: BRASS (t=0.12)
金具:リン青銅 (t=0.2)
FITTING NAIL: PHOSPHOR BRONZE (t=0.2)
2. メッキ仕様 PLATING
ピン PIN
金メッキ 0.2 マイクロメートル以上 (コンタクト部)
GOLD 0.2MICROMETER MINIMUM (CONTACT AREA)
金メッキ 0.4 マイクロメートル以下 (テール部)
GOLD 0.4MICROMETER MAXIMUM (TAIL AREA)
下地メッキ: ニッケルメッキ 1.5 マイクロメートル以上
UNDER PLATING: NICKEL 1.5MICROMETER MINIMUM
金具 FITTING NAIL
銅メッキ 1.0 マイクロメートル以上
TIN PLATING 1.0MICROMETER MINIMUM
下地メッキ: ニッケルメッキ 1.0 マイクロメートル以上
UNDER PLATING: NICKEL 1.0MICROMETER MINIMUM

3. (全極数/2) = 偶数の場合に適用。
APPLY FOR (CIRCUIT/2)=EVEN.
4. 嵌合相手: 51338シリーズ
MATE WITH: 51338 SERIES.
5. テール平坦度は、0.08以下
テール及び金具の平坦度は、0.1以下
TAIL COPLANARITY TO BE 0.08MAXIMUM
TAIL AND FITTING NAIL
COPLANARITY TO BE 0.1 MAXIMUM
6. 本製品は 55909-***3 の鉛フリー品である。
THIS PRODUCT IS LEAD FREE OF 55909-***3

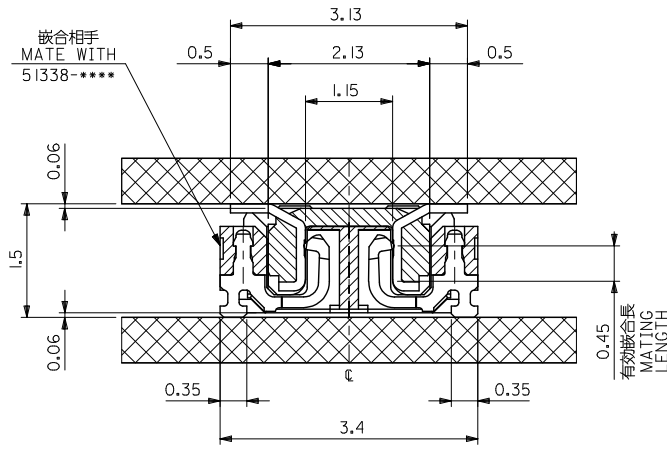


21.2	19.6	22.0	55909-1074	100
19.2	17.6	20.0	55909-0974	90
17.2	15.6	18.0	55909-0874	80
15.2	13.6	16.0	55909-0774	70
13.2	11.6	14.0	55909-0674	60
11.2	9.6	12.0	55909-0574	50
9.2	7.6	10.0	55909-0474	40
8.0	6.4	8.8	55909-3474	34
7.2	5.6	8.0	55909-0374	30
6.4	4.8	7.2	55909-2674	26
6.0	4.4	6.8	55909-2474	24
5.6	4.0	6.4	55909-2274	22
5.2	3.6	6.0	55909-0274	20
4.4	2.8	5.2	55909-1674	16
3.6	2.0	4.4	55909-9974	12
C	B	A	EMBOSSED TAPE PKG. ORDER No. オーダー番号	CKT.
CONNECTOR SERIES NO.			55909-***73	

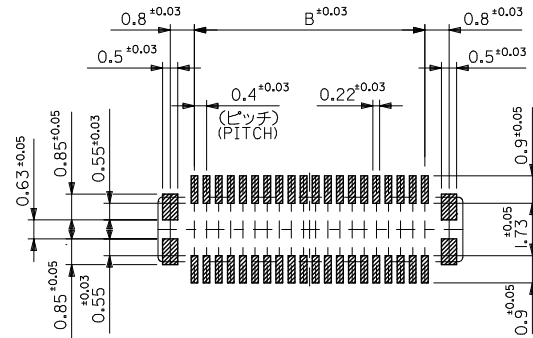
REVISED EC NO: J2013-0254 DRAWN BY: 2012/08/30 CHKD: T.SAKAWA APPR: T.SAKAWA REV	GENERAL TOLERANCES (UNLESS SPECIFIED)	DIMENSION STYLE MM ONLY	SCALE ---	DESIGN UNITS METRIC	THIRD ANGLE PROJECTION	
	10 UNDER ±0.2	DRAWN BY DATE HSHI MABUKURO 2004/02/20	TITLE 0.4 B-T0-B CONN. PLUG ASSY WITH NAIL -LEAD FREE-			
	10 OVER 30 UNDER ±0.25	CHECKED BY DATE K. TOJO 2004/02/20	molex			
	30 OVER ±0.3	APPROVED BY DATE M. SASAO 2004/02/20	DOCUMENT NO. SD-55909-003			
ANGULAR ±1/2 °	DRAFT WHERE APPLICABLE MUST REMAIN WITHIN DIMENSIONS	MATERIAL NO. SEE CHART	SHEET NO. 1 OF 2			
SIZE A3 THIS DRAWING CONTAINS INFORMATION THAT IS PROPRIETARY TO MOLEX INCORPORATED AND SHOULD NOT BE USED WITHOUT WRITTEN PERMISSION						

9 8 7 6 5 4 3 2 1

10 9 8 7 6 5 4 3 2 1



嵌合断面図 (参考)
MATED DRAWING (REFERENCE)



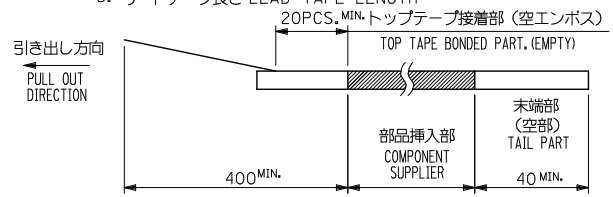
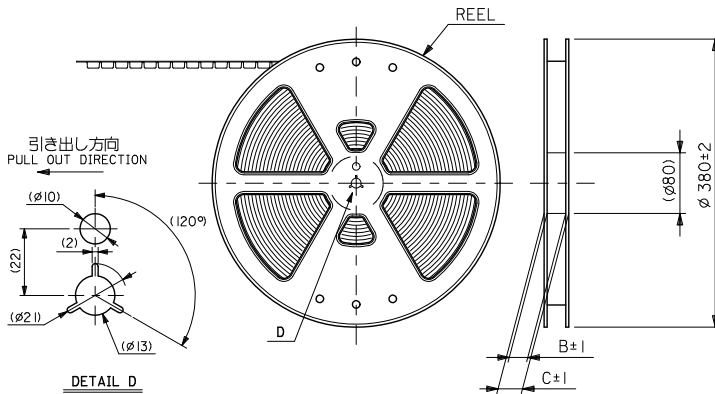
参考基板レイアウト (マウント面)
P.C.BOARD PATTERN DIMENSION.
(REFERENCE)
(MOUNTING AREA)

SEE SHEET 1 OF 2 EC NO. J2013-0254 DRAWN BY DRANKYOYODA 2012/08/30 CHECKED BY CHIKO-TAKAKAWA 2012/08/30 APPR. TASHIKAWA 2012/08/31	GENERAL TOLERANCES (UNLESS SPECIFIED)		DIMENSION STYLE		55909-***73 MODEL NO.	
			MM ONLY		SCALE ---	DESIGN UNITS METRIC
	10 UNDER	± 0.2	DRAWN BY HSHI MABUKURO	DATE 2004/02/20	TITLE	
	10 OVER 30 UNDER	± 0.25	CHECKED BY K. TOJO	DATE 2004/02/20	0.4 B-TO-B CONN. PLUG ASSY (HGT=1.5) WITH NAIL -LEAD FREE-	
30 OVER	± 0.3	APPROVED BY M. SASAO	DATE 2004/02/20	MATERIAL NO.		
ANGULAR ± 3 °		DRAFT WHERE APPLICABLE MUST REMAIN WITHIN DIMENSIONS		SEE SHEET 1		
		SIZE A3		DOCUMENT NO. SD-55909-003		
				SHEET NO. 2 OF 2		
						THIS DRAWING CONTAINS INFORMATION THAT IS PROPRIETARY TO MOLEX INCORPORATED AND SHOULD NOT BE USED WITHOUT WRITTEN PERMISSION

9 8 7 6 5 4 3 2

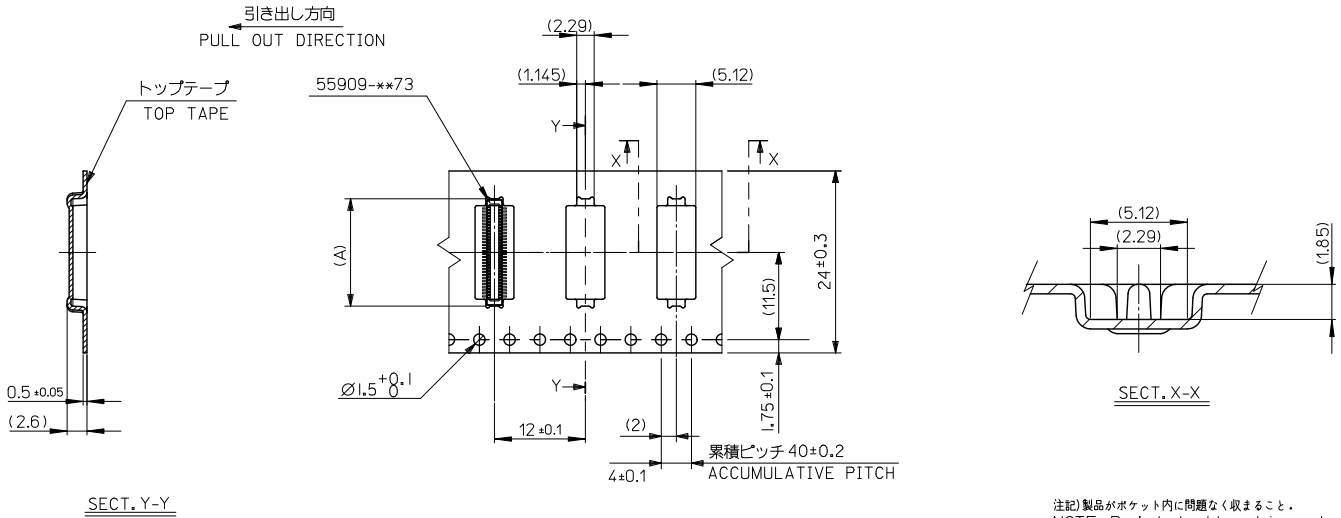
NOTES

1. 製品詳細寸法については製品単体図面を参照下さい。
RE DETAILED DIMENSION, SEE PRODUCT DRAWING.
2. 梱包数量: 2500個/リール
NUMBER OF CONNECTORS : 2500PCS/REEL
3. リードテープ長さ LEAD TAPE LENGTH
20PCS. MIN. トップテープ接着部 (空エンボス)
TOP TAPE BONDED PART. (EMPTY)
部品挿入部 COMPONENT SUPPLIER
末端部 (空部) TAIL PART
400 MIN. 40 MIN.
4. 材料 MATERIAL
キャリアテープ (CARRIER TAPE): ポリプロピレン (POLYPROPYLENE)
トップテープ (TOP TAPE): PET, PE, PEF
リール (REEL): ポリスチレン (PS) <リサイクル材を含む>
POLYSTYRENE (PS) <RECYCLE MATERIAL CONTAINED>
5. ELV 及び RoHS 適合品。
ELV AND RoHS COMPLIANT.



REVISED EC NO. J2010-2356 DRAWN: TOSHIMA 2010/06/24 CHIKIDATYODA 2010/07/20 APPR: MSASAO 2010/07/21	GENERAL TOLERANCES (UNLESS SPECIFIED)		DIMENSION STYLE	SCALE	CONNECTOR SERIES No.	55909-***73
			MM ONLY	---	DESIGN UNITS	METRIC
	10 UNDER	± 0.2	DRAWN BY	DATE	THIRD ANGLE PROJECTION	
	10 OVER 30 UNDER	± 0.25	H. SHIMAB	2004/02/20	TITLE	
30 OVER	± 0.3	CHECKED BY	DATE	0.4 B-T0-B CONN PLUG ASSY(HGT=1.5) EMBSTP PKG		
ANGULAR	± 3°	APPROVED BY	DATE	MOLEX INCORPORATED		
DRAFT WHERE APPLICABLE MUST REMAIN WITHIN DIMENSIONS		MATERIAL NO.	SEE CHART	DOCUMENT NO.	SD-55909-004	
		SIZE	A3	THIS DRAWING CONTAINS INFORMATION THAT IS PROPRIETARY TO MOLEX INCORPORATED AND SHOULD NOT BE USED WITHOUT WRITTEN PERMISSION		

10 9 8 7 6 5 4 3 2 1

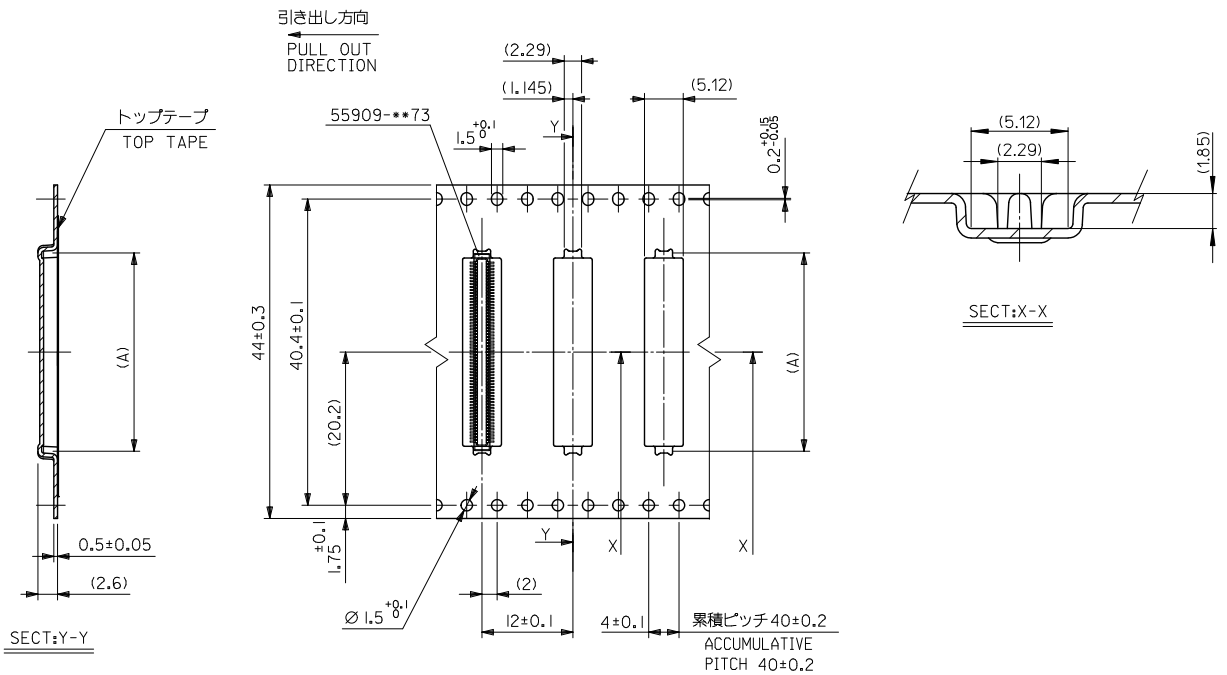


注記) 製品がポケット内に問題なく収まること。
NOTE. Pocket should contain product smoothly.

24	29.4	25.4	14.16	55909-0674	60		
			12.16	55909-0574	50		
			10.16	55909-0474	40		
			8.96	55909-3474	34		
			8.16	55909-0374	30		
			7.36	55909-2674	26		
			6.96	55909-2474	24		
			6.56	55909-2274	22		
6.16	55909-0274	20					
キャリアテープ幅 CARRIER TAPE WIDTH			C	B	(A)	MATERIAL NO.	CKT

REVISED EC NO. J2010-2356 DRAWN: TOSHIMA 2010/06/24 CHIKIDATYODA 2010/07/20 APPROV: SASAO 2010/07/24 J	GENERAL TOLERANCES (UNLESS SPECIFIED)		DIMENSION STYLE MM ONLY		SCALE ---	DESIGN UNITS METRIC	CONNECTOR SERIES No. 55909-**73
	10 UNDER	±0.2	DRAWN BY H. SHIMAB	DATE 2004/02/20	TITLE 0.4 B-T0-B CONN PLUG ASSY(HGT=1.5) EMBSTP PKG		
	10 OVER 30 UNDER	±0.25	CHECKED BY K. TOJO	DATE 2004/02/20	THIRD ANGLE PROJECTION		
	30 OVER	±0.3	APPROVED BY M. SASAO	DATE 2004/02/20	MOLEX INCORPORATED		
	ANGULAR	±3°	MATERIAL NO.	DOCUMENT NO.	SD-55909-004		
DRAFT WHERE APPLICABLE MUST REMAIN WITHIN DIMENSIONS		SEE CHART		THIS DRAWING CONTAINS INFORMATION THAT IS PROPRIETARY TO MOLEX INCORPORATED AND SHOULD NOT BE USED WITHOUT WRITTEN PERMISSION			SHEET NO. 2 OF 5

10 9 8 7 6 5 4 3 2 1



4mm幅キャリアテープ
44mm WIDTH CARRIER TAPE

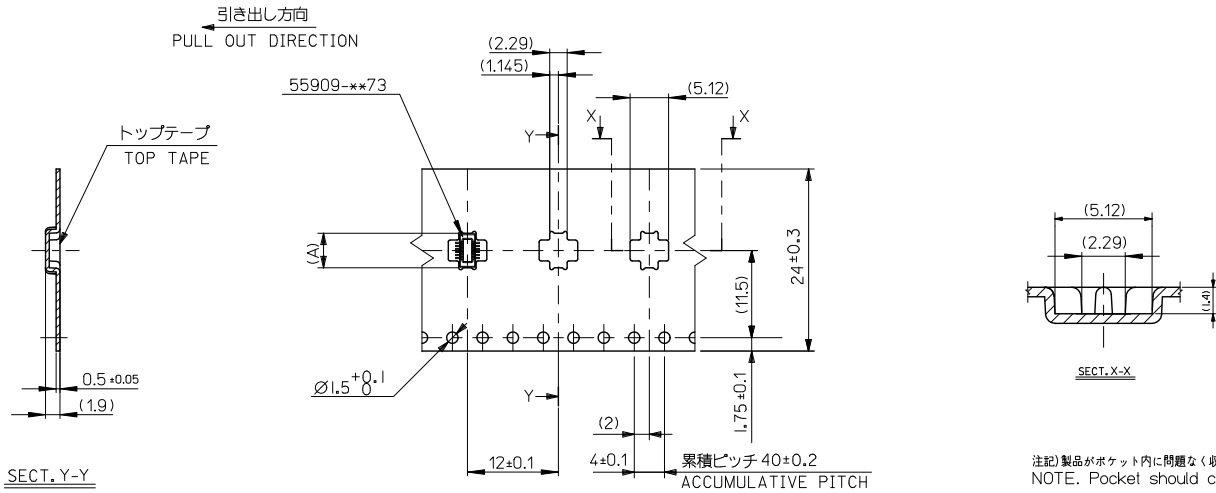
注記)製品がポケット内に問題なく収まること。
NOTE. Pocket should contain product smoothly.

44	49.4	45.4	22.16	55909-1074	100
キャリアテープ幅 CARRIER TAPE WIDTH	C	B	(A)	MATERIAL NO.	極数 CKT.

REVISED EC NO. J2010-2356 2010/06/24 DRAWN: TOSHIMA 2010/07/20 CHIKIDAKUYODA 2010/07/20 APPR: SASAO 2010/07/21	GENERAL TOLERANCES (UNLESS SPECIFIED)		DIMENSION STYLE MM ONLY		SCALE ---		DESIGN UNITS METRIC		CONNECTOR SERIES No. 55909-***73		
	10 UNDER	±0.2	DRAWN BY H. SHIMAB		DATE 2004/02/20		TITLE 0.4 B-T0-B CONN PLUG ASSY(HGT=1.5) EMBSTP PKG		THIRD ANGLE PROJECTION		
	10 OVER	±0.25	CHECKED BY K. TOJO		DATE 2004/02/20		MOLEX INCORPORATED		SHEET NO. 4 OF 5		
	30 OVER	±0.3	APPROVED BY M. SASAO		DATE 2004/02/20		DOCUMENT NO. SD-55909-004		EN-02JA(021)		
J	ANGULAR ±3°		MATERIAL NO.		SEE CHART		THIS DRAWING CONTAINS INFORMATION THAT IS PROPRIETARY TO MOLEX INCORPORATED AND SHOULD NOT BE USED WITHOUT WRITTEN PERMISSION				
		DRAFT WHERE APPLICABLE MUST REMAIN WITHIN DIMENSIONS									

9 8 7 6 5 4 3 2 1

10 9 8 7 6 5 4 3 2 1



注記) 製品がポケット内に閉鎖なく収まること。
NOTE. Pocket should contain product smoothly.

24	29.4	25.4	5.36	55909-1674	16
キャリアテープ幅 CARRIER TAPE WIDTH	C	B	4.56	55909-9974	12
			(A)	MATERIAL NO.	CKT

CONNECTOR SERIES No. 55909-**73

REVISED EC NO. J2010-2356 DRAWN: TOSHIMA 2010/06/24 CHIKAKIYOYODA 2010/07/20 APPROV: SASAO 2010/07/24 J	GENERAL TOLERANCES (UNLESS SPECIFIED)		DIMENSION STYLE MM ONLY		SCALE ---	DESIGN UNITS METRIC	THIRD ANGLE PROJECTION
	10 UNDER	± 0.2	DRAWN BY	DATE	TITLE		
	10 OVER 30 UNDER	± 0.25	H. SHIMAB	2004/02/20	0.4 B-T0-B CONN PLUG ASSY(HGT=1.5) EMBSTP PKG		
	30 OVER	± 0.3	K. TOJO	2004/02/20	MOLEX INCORPORATED		
ANGULAR ± 3°		APPROVED BY	DATE	MATERIAL NO.		DOCUMENT NO.	SHEET NO.
DRAFT WHERE APPLICABLE MUST REMAIN WITHIN DIMENSIONS		M. SASAO	2004/02/20	SEE CHART		SD-55909-004	5 OF 5
THIS DRAWING CONTAINS INFORMATION THAT IS PROPRIETARY TO MOLEX INCORPORATED AND SHOULD NOT BE USED WITHOUT WRITTEN PERMISSION							