

Excellent Integrated System Limited

Stocking Distributor

Click to view price, real time Inventory, Delivery & Lifecycle Information:

[Amphenol Pcd](#)
[ELFT02150](#)

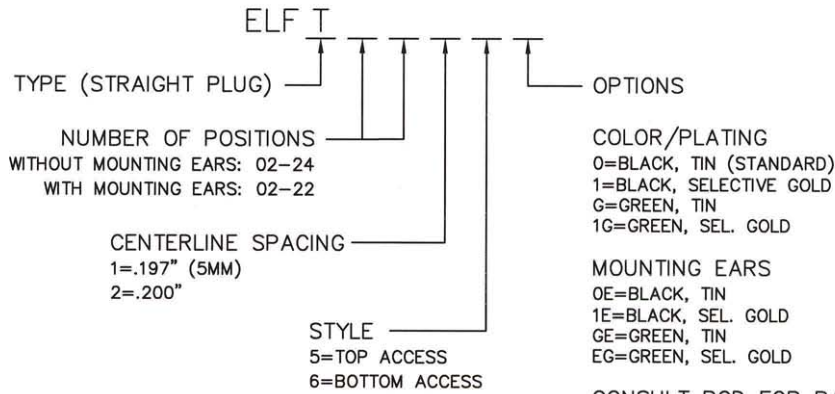
For any questions, you can email us directly:

sales@integrated-circuit.com



REV	ECN	APPD
-	3600	JEC 12/11/98
A	4686	JN 12/28/05

ELFT SERIES PART NUMBERING SCHEME



- COLOR/PLATING**
 0=BLACK, TIN (STANDARD)
 1=BLACK, SELECTIVE GOLD
 G=GREEN, TIN
 1G=GREEN, SEL. GOLD
- MOUNTING EARS**
 0E=BLACK, TIN
 1E=BLACK, SEL. GOLD
 GE=GREEN, TIN
 EG=GREEN, SEL. GOLD
- CONSULT PCD FOR PART NO. AND AVAILABILITY OF FOLLOWING OPTIONS:
 * CUSTOM COLORS
 * CUSTOM MARKING
 * CUSTOM KEYING
 * SELECTIVE CONTACT LOADING

RU RATINGS
 CURRENT - 15A
 VOLTAGE - 300V
 U.L. FILE NO. E83421

SP RATINGS
 CURRENT - 15A
 VOLTAGE - 300V
 CSA FILE NO. LR69703

DIN VDE 0627:1986
 DIN VDE 0110-1:1989
 EN 60947-1:1991
 EN 60947-7-1:1992

CURRENT - 15A
 VOLTAGE - 300 V
 TUV FILE NO. 20396

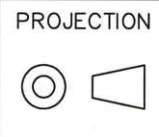
INSTALLATION RECOMMENDATIONS:
 WIRE RANGE: AWG #14-26, STRANDED
 OR SOLID; AWG #12 STRANDED
 WIRE STRIP LENGTH: .310"
 TIGHTENING TORQUE: 7 LB-IN.

MATERIALS:
 HOUSING: PPO, UL 94 V-0
 CONTACT: COPPER ALLOY, OPTIONAL FINISH
 SCREW: STEEL, NICKEL FINISH
 WIRE CLAMP: COPPER ALLOY, NICKEL FINISH

MAX OPERATING TEMPERATURE:
 105°C

DIMENSIONS
 ANSI Y14.5M
 UNITS: INCHES
 ACAD FILE

TOLERANCES
 .XX ±.01
 .XXX ±.005
 ANGLES ±2°



Amphenol Pcd
 SPECIFICATION DRAWING

ENGR
 J. WILKINSON 11/8/98

CHKD
 A. PATRIE 12/4/98

APPD
 J. CAHALY 12/11/98

TITLE

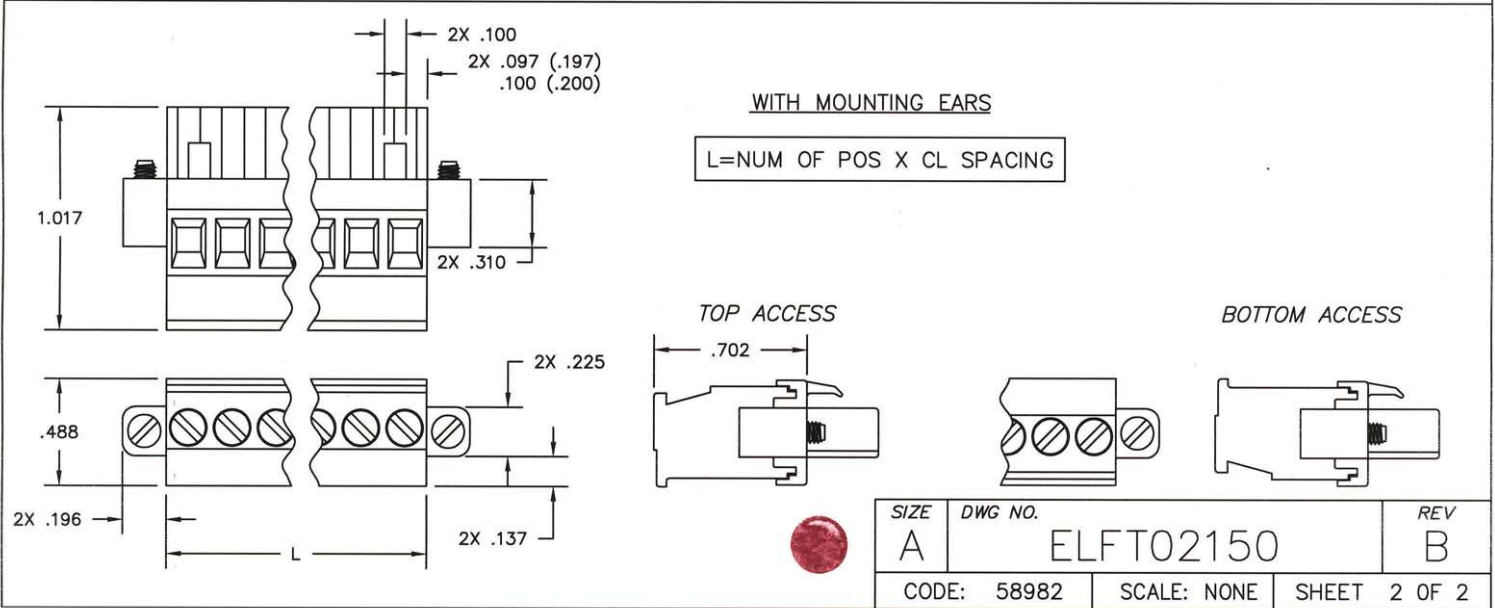
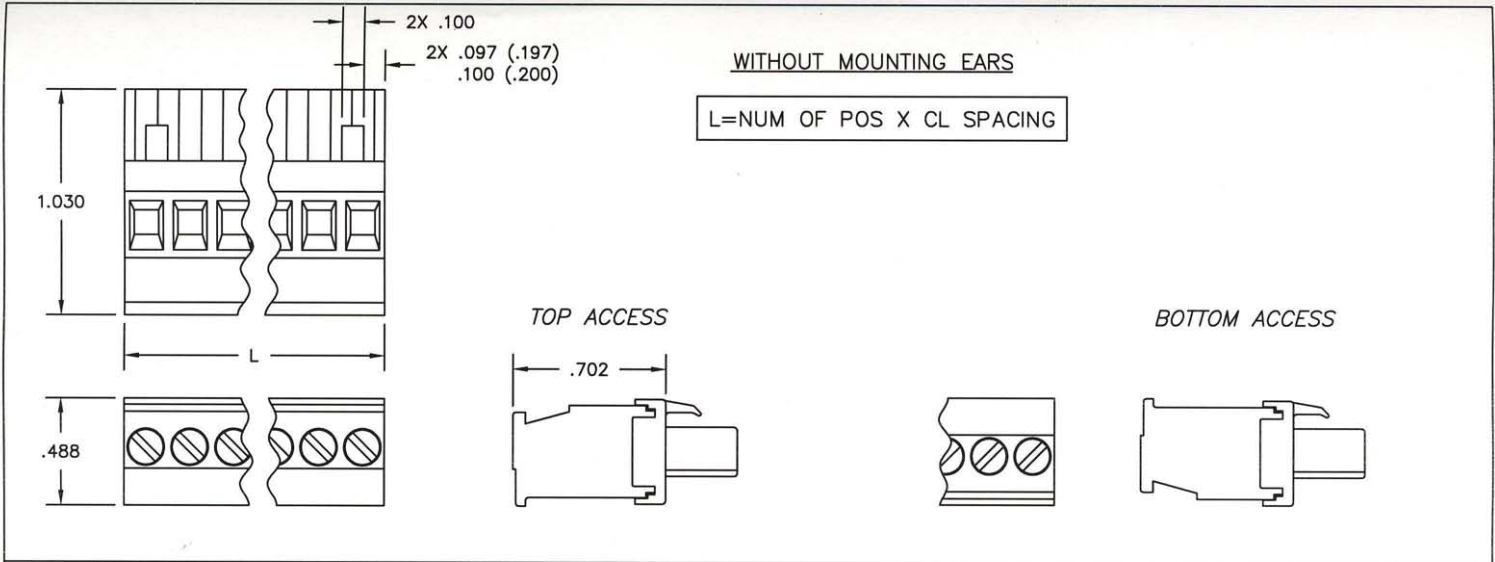
ELFT SERIES
 PLUGGABLE TERMINAL
 BLOCK, STRAIGHT

SIZE: A DWG NO.: ELFT02150 REV: B

CODE: 58982 SCALE: NONE SHEET 1 OF 2

ORIGINAL
 STAMPED
 IN RED

THIS DOCUMENT CONTAINS
 PROPRIETARY INFORMATION WHICH
 IS THE CONFIDENTIAL PROPERTY
 OF AMPHENOL PCD INC. PEABODY, MA



SIZE	DWG NO.	REV
A	ELFT02150	B
CODE: 58982	SCALE: NONE	SHEET 2 OF 2