

Excellent Integrated System Limited

Stocking Distributor

Click to view price, real time Inventory, Delivery & Lifecycle Information:

[Visual Communications Company, LLC](#)
[5635D1](#)

For any questions, you can email us directly:

sales@integrated-circuit.com

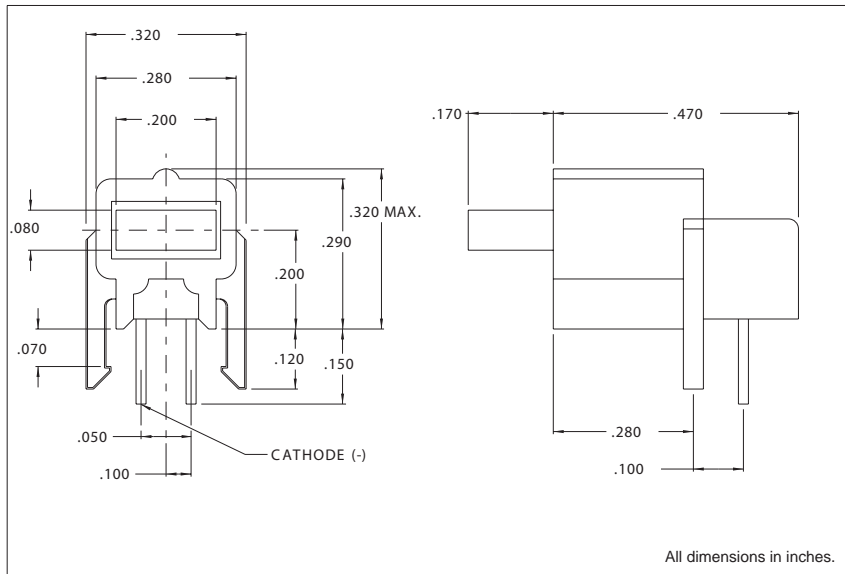
147 Central Avenue
Hackensack, New Jersey 07601
Tel: 201-489-8989 • Fax: 201-489-6911



CHICAGO MINIATURE LAMP, INC.
WHERE INNOVATION COMES TO LIGHT

5635 Series 2 X 5 Rectangular Right Angle LED Assembly

DESCRIPTION AND FEATURES



Features

- Right angle block mounting design assures height and side-by-side spacing alignment.
- Large rectangular 2mm x 5mm flat LED emits even light distribution.
- 4mcd typical High Brite light output-ideal for back lighting legends.
- Unique "Harpoon Pins" secure block to board while soldering.
- Standoffs prevent flux entrapment.

Housing: Black Thermoplastic Polyester UL94V-O

Mounting hole pattern on page 1-X7.

ELECTRO-OPTICAL CHARACTERISTICS AND RATINGS

Part Number	Emitted Color	Typical Intensity (mcd)	Rated Current (mA)	Continuous Forward Current Max. (mA)	Forward Voltage		Reverse Breakdown Voltage Min. (V)	Peak Wavelength (nm)
					Typ. (V)	Max. (V)		
5635D1	Red	4	20	35	2.0	3.0	5	635
5635D5	Green	4	20	35	2.2	3.0	5	562
5635D7	Yellow	4	20	35	2.1	3.0	5	585

Chicago Miniature Lamp reserves the right to make specification revisions that enhance the design and/or performance of the product