

## Excellent Integrated System Limited

Stocking Distributor

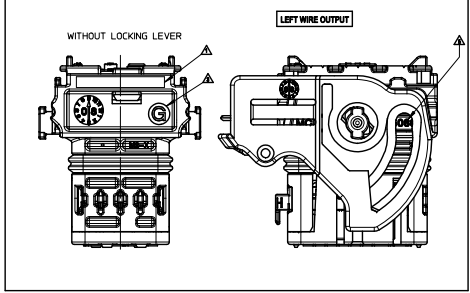
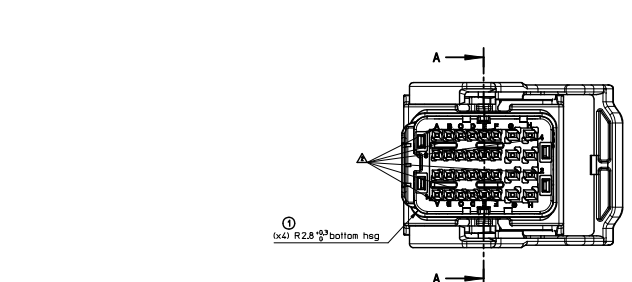
Click to view price, real time Inventory, Delivery & Lifecycle Information:

[Molex Connector Corporation](#)  
[0643191216](#)

For any questions, you can email us directly:

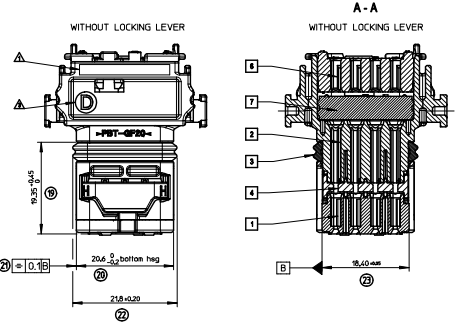
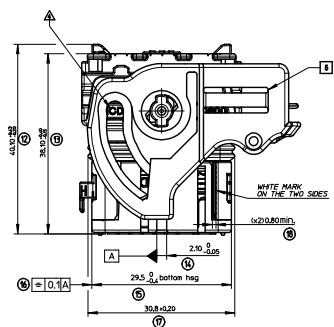
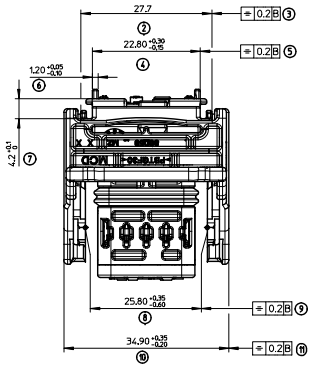
[sales@integrated-circuit.com](mailto:sales@integrated-circuit.com)

20 19 18 17 16 15 14 13 12 11 10 9 8 7 6 5 4 3 2 1



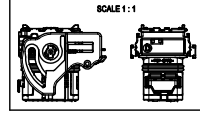
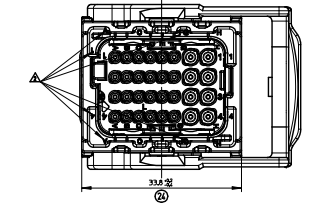
**LEFT WIRE OUTPUT**

| MATERIAL NUMBER | COLOR |
|-----------------|-------|
| 0643191211      | BLACK |
| 0643191218      | GREY  |
| 0643191219      | BROWN |
| 0643191216      | BLUE  |



**RIGHT WIRE OUTPUT**

| MATERIAL NUMBER | COLOR |
|-----------------|-------|
| 0643193211      | BLACK |
| 0643193218      | GREY  |
| 0643193219      | BROWN |
| 0643193216      | BLUE  |



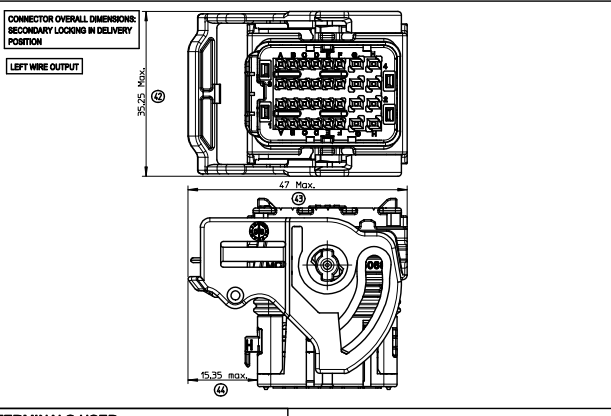
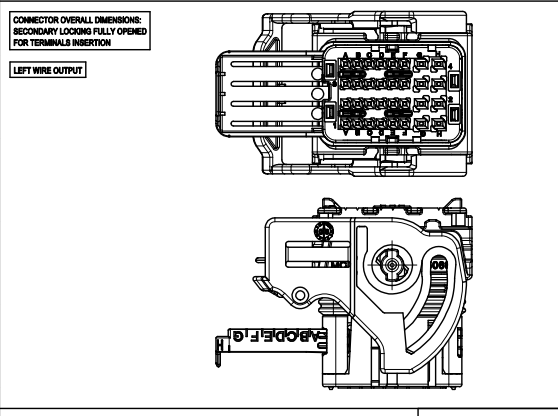
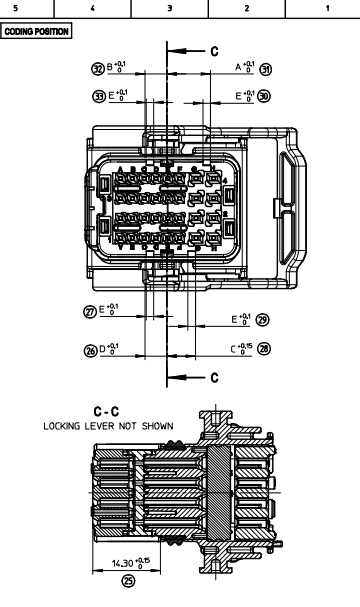
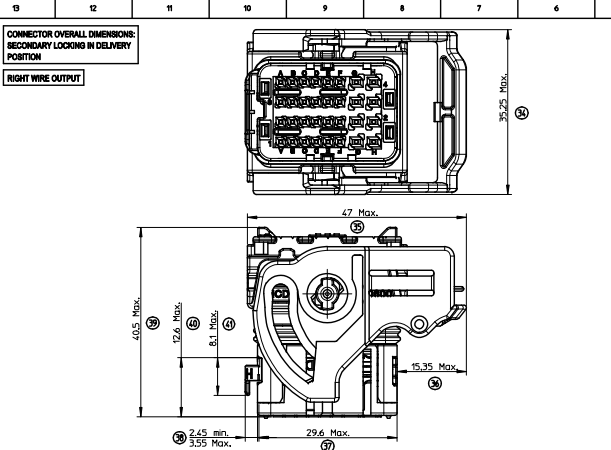
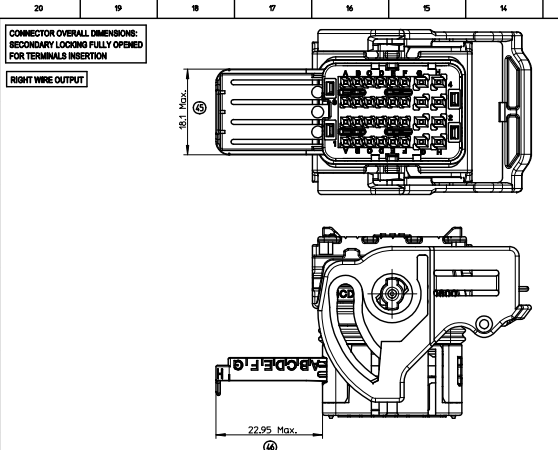
- NOTES:**
- FOR ILLUSTRATION PURPOSE THE FEMALE HOUSING SHOWN IS THE RIGHT WIRE OUTPUT VERSION CODING 1
  - APPLICATION SPECIFICATION: AS-64319-002
  - 3-WIRES EXTERNAL DIAMETER USED:  
FOR CP.6 TERMINAL: USE WIRES WITH AN EXTERNAL DIAMETER BETWEEN Ø1.25MM MIN AND Ø1.50MM MAX  
FOR CP.15 TERMINAL: USE WIRES WITH AN EXTERNAL DIAMETER BETWEEN Ø1.40MM MIN AND Ø2.00MM MAX
  - THE CONNECTOR FITS WITH WIRE CAP (32 WAY) MOLEX P/N 0643191201
  - BLIND PLUG FOR CP. 0.6 AND 15 CAVITIES (MOLEX P/N 0643251910 AND 0643251923) MUST BE USED ON THIS PART.
  - DELIVERED PRODUCT WEIGHT: 27.6 g

| REF | DESCRIPTION         | MATERIAL   | COLOR                  |
|-----|---------------------|------------|------------------------|
| 1   | MAT SEAL            | Silicon    | RED                    |
| 2   | BACK GRID 32W       | →PBT-GF20← | GREY                   |
| 3   | LOCKING LEVER 32W   | →PBT-GF30← | BLACK                  |
| 4   | SECONDARY LOCK      | →PBT-GF20← | GREEN                  |
| 5   | PERIPHERAL SEAL 32W | Silicon    | BLUE                   |
| 6   | BACK PART           | →PBT-GF20← | BLACK                  |
| 7   | FRONT PART          | →PBT-GF20← | COLOR LINKED TO RETING |

- MARKINGS:**
- ▲ - Assembled part traceability: Year + Day
  - ▲ - Terminal cavities identification
  - ▲ - Lever position indicator: 'D' LETTER VISIBLE = "RIGHT WIRE OUTPUT" 'G' LETTER VISIBLE = "LEFT WIRE OUTPUT"
  - ▲ - Supplier identification
  - ▲ - Material identification

| <b>APRIL SPEC CHANGED</b><br>EC NO. 0204-004<br>2015/11/30<br>DR/DRAWS/PLESSIS<br>2015/12/01<br>CH/KR/BOURBIN<br>2015/12/01<br>APPROVED/BOUCHAN<br>2015/12/01<br>REF | <b>GENERAL TOLERANCES (UNLESS SPECIFIED)</b><br><table border="1"> <thead> <tr> <th></th> <th>mm</th> <th>INCH</th> </tr> </thead> <tbody> <tr> <td>4 PLACES</td> <td>±---</td> <td>±---</td> </tr> <tr> <td>3 PLACES</td> <td>±---</td> <td>±---</td> </tr> <tr> <td>2 PLACES</td> <td>± 0.1</td> <td>±---</td> </tr> <tr> <td>1 PLACE</td> <td>± 0.1</td> <td>±---</td> </tr> <tr> <td>0 PLACE</td> <td>±---</td> <td>±---</td> </tr> </tbody> </table> |                   | mm                                  | INCH                                | 4 PLACES                   | ±--- | ±--- | 3 PLACES | ±--- | ±--- | 2 PLACES | ± 0.1 | ±--- | 1 PLACE | ± 0.1 | ±--- | 0 PLACE | ±--- | ±--- | <b>DIMENSION STYLE</b><br>MM ONLY | <b>SCALE</b><br>2.5:1 | <b>DESIGN UNITS</b><br>METRIC | <b>FIRST ANGLE PROJECTION</b> |
|--|---|-------------------|-------------------------------------|-------------------------------------|----------------------------|------|------|----------|------|------|----------|-------|------|---------|-------|------|---------|------|------|-----------------------------------|-----------------------|-------------------------------|-------------------------------|
|  |   | mm                | INCH                                |                                     |                            |      |      |          |      |      |          |       |      |         |       |      |         |      |      |                                   |                       |                               |                               |
|  | 4 PLACES  | ±---              | ±---                                |                                     |                            |      |      |          |      |      |          |       |      |         |       |      |         |      |      |                                   |                       |                               |                               |
|  | 3 PLACES  | ±---              | ±---                                |                                     |                            |      |      |          |      |      |          |       |      |         |       |      |         |      |      |                                   |                       |                               |                               |
| 2 PLACES   | ± 0.1   | ±---              |                                     |                                     |                            |      |      |          |      |      |          |       |      |         |       |      |         |      |      |                                   |                       |                               |                               |
| 1 PLACE  | ± 0.1   | ±---              |                                     |                                     |                            |      |      |          |      |      |          |       |      |         |       |      |         |      |      |                                   |                       |                               |                               |
| 0 PLACE  | ±---  | ±---              |                                     |                                     |                            |      |      |          |      |      |          |       |      |         |       |      |         |      |      |                                   |                       |                               |                               |
| <b>ANGULAR</b> ± 2 °   | <b>DRAFT WHERE APPLICABLE MUST REMAIN WITHIN DIMENSIONS</b>   | <b>SEE CHARTS</b> | <b>MATERIAL NO.</b><br>SD-64319-001 | <b>DOCUMENT NO.</b><br>SD-64319-001 | <b>SHEET NO.</b><br>1 OF 2 |      |      |          |      |      |          |       |      |         |       |      |         |      |      |                                   |                       |                               |                               |
| DRAFT WHERE APPLICABLE MUST REMAIN WITHIN DIMENSIONS   |   |                   |                                     |                                     |                            |      |      |          |      |      |          |       |      |         |       |      |         |      |      |                                   |                       |                               |                               |
| THIS DRAWING CONTAINS INFORMATION THAT IS PROPRIETARY TO MOLEX INCORPORATED AND SHOULD NOT BE USED WITHOUT WRITTEN PERMISSION  |   |                   |                                     |                                     |                            |      |      |          |      |      |          |       |      |         |       |      |         |      |      |                                   |                       |                               |                               |

19 18 17 16 15 14 13 12 11 10 9 8 7 6 5 4 3 2 1



| COLOR | CODING | A   | B   | C   | D   | E   |
|-------|--------|-----|-----|-----|-----|-----|
| BLACK | 1      | 9.2 | 4.4 | 6   | 4.4 | 1.6 |
| GREY  | 2      | 7.6 | 6   | 9.2 | 6   | 1.6 |
| BROWN | 3      | 6   | 7.6 | 9.2 | 9.2 | 1.6 |
| BLUE  | 5      | 4.4 | 7.6 | 6   | 6   | 1.6 |

**TERMINALS USED**

| CAVITY #                                     | PIVOTLE TERMINALS (section mm2)                 | PLATING     | MOLEX P/N# | MIN / MAX WIRE INSULATION DIAMETER (mm) |
|--|---|-------------|------------|---|
| A1 to F1<br>A2 to F2<br>A3 to F3<br>A4 to F4 | CP 0.6<br>0.35mm <sup>2</sup>                   | Tin plated  | 0643221019 | Ø1.25 min / Ø1.40 Max                   |
|  |   | Gold plated | 0643221229 |   |
| G1 to H4<br>G1 to H4                         | CP 0.6<br>0.75mm <sup>2</sup>                   | Tin plated  | 0643221029 | Ø1.60 min / Ø1.90 Max                   |
|  |   | Gold plated | 0643221219 |   |
| G1 to H4<br>G1 to H4                         | CP 15<br>0.5mm <sup>2</sup> to 1mm <sup>2</sup> | Tin plated  | 0643231029 | Ø1.40 min / Ø2.15 Max                   |
|  |   | Gold plated | 0643231319 |   |
| G1 to H4<br>G1 to H4                         | CP 15<br>>1mm <sup>2</sup> to 2mm <sup>2</sup>  | Tin plated  | 0643231039 | Ø2.10 min / Ø2.80 Max                   |
|  |   | Gold plated | 0643231219 |   |

**APPL. SPEC. CHANGED**  
EC. NO. 0076-0064 2015/11/30  
DRAWN/PLS/ISS 2015/12/01  
CHKD/PGD/RIN 2015/12/01  
APPR/CLD/UDM 2015/12/01  
REV 1

**GENERAL TOLERANCES (UNLESS SPECIFIED)**

|          | mm   | INCH |
|----------|------|------|
| 4 PLACES | ±--- | ±--- |
| 3 PLACES | ±--- | ±--- |
| 2 PLACES | ±0.1 | ±--- |
| 1 PLACE  | ±0.1 | ±--- |
| 0 PLACE  | ±--- | ±--- |

ANGULAR ± 2 °  
DRAFT WHERE APPLICABLE  
MUST REMAIN WITHIN DIMENSIONS

DISPEN STYLE: MM ONLY  
SCALE: 2.5:1  
DESIGN UNITS: METRIC  
FIRST ANGLE PROJECTION

DRAWN BY: T. BADAROUX 2007/07/16  
CHECKED BY: P. GRANDCLAUD 2007/07/16  
APPROVED BY: C. BOUCHAN 2007/07/16  
MATERIAL NO. SD-64319-001

**molex**

THIS DRAWING CONTAINS INFORMATION THAT IS PROPRIETARY TO MOLEX INCORPORATED AND SHOULD NOT BE USED WITHOUT WRITTEN PERMISSION

SHEET NO. 2 OF 2