

Excellent Integrated System Limited

Stocking Distributor

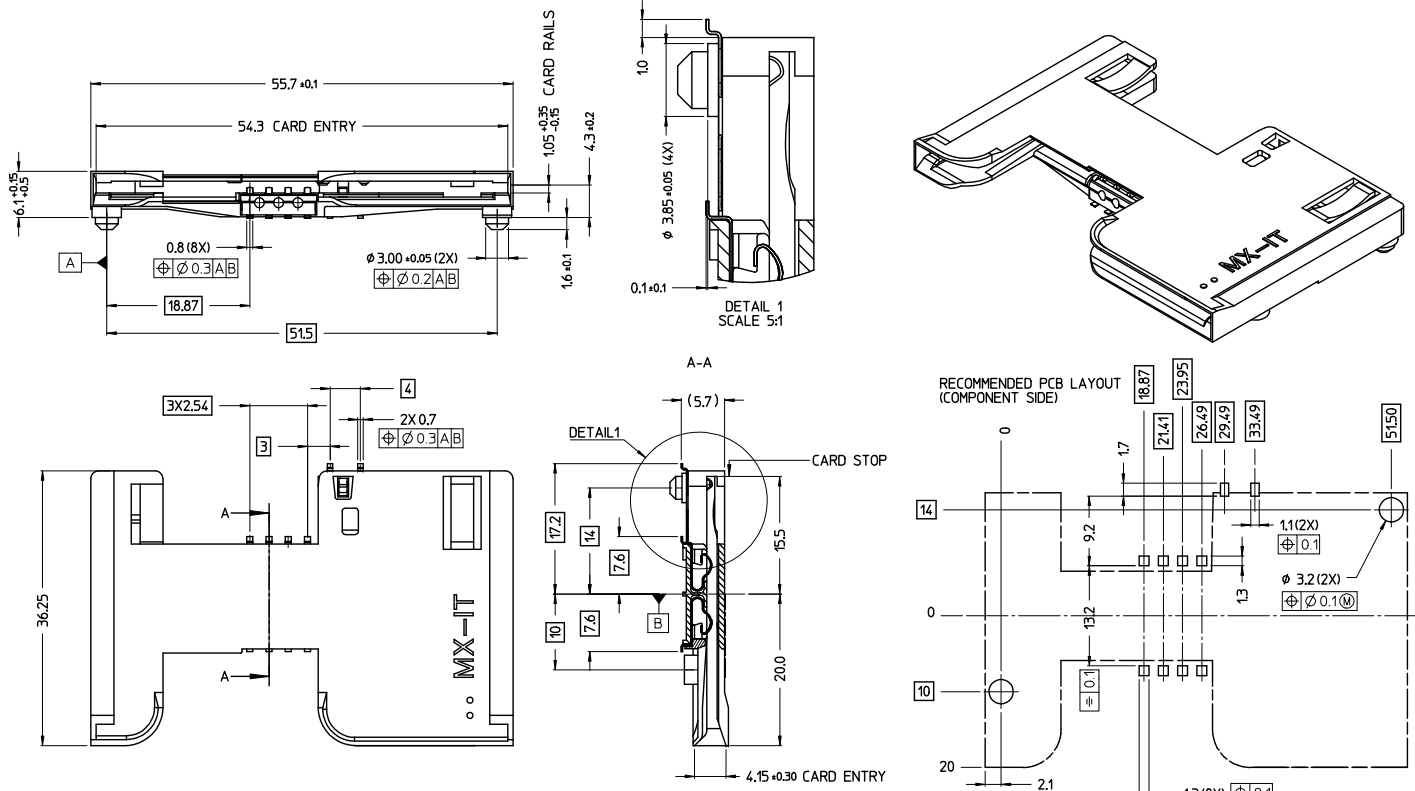
Click to view price, real time Inventory, Delivery & Lifecycle Information:

[Molex Connector Corporation](#)
[0943040108](#)

For any questions, you can email us directly:

sales@integrated-circuit.com

10 9 8 7 6 5 4 3 2 1



MATERIALS:
HOUSING - LCP GLASS FILLED BLACK COLOR
TERMINALS - PhZ CuSn8 (C521) 0.15mm THICK
PLATING:
CONTACT AREA - 1.27um Au MIN OVER 2-4.5um Ni
SOLDERING AREA - 3.8um Sn MIN OVER 2-4.5um Ni
PACKAGING: TRAYS IN BOX (SEE DRW PK-94304-010)

NOTES:
- REFLOW SOLDERING PROFILE ACCORDING TO CECC0802
- COPLANARITY OF METAL SOLDERING SURFACES 0.15mm
- THE GUIDE IS COMPATIBLE WITH ISO/IEC 7816-2 (identification cards - Integrated circuit(s) cards with contacts)
- OTHER PRODUCT CHARACTERISTICS ACCORDING TO PS-94304-010

STD. DESCR. : *SMART CARD CONN SMT 8 CKT W/SW N.O.*

EC NO. Z2009-0136 DRAWN BY: CHYK:LSANTOSSO APPR:FBISELLO	2009/05/25 2009/06/04 2009/06/09	QUALITY SYMBOLS =0 ▽=0	GENERAL TOLERANCES (UNLESS SPECIFIED)		DIMENSION STYLE MM ONLY		SCALE 2:1	DESIGN UNITS METRIC	FIRST ANGLE PROJECTION	
			mm	INCH	DRAWN BY GZUIN	DATE 2005/05/13	TITLE SMART CARD CONNECTOR 8 CKT W/SWITCH N.O.			
A1	REV	DESCRIPTION	4 PLACES	± ---	± ---	CHECKED BY RSANDANO	DATE 2005/05/13	MATERIAL NO. 94304-0108		
			3 PLACES	± ---	± ---	APPROVED BY FBISELLO	DATE 2005/05/13	DOCUMENT NO. SD-94304-010		
			2 PLACES	± 0.05	± ---	MATERIAL NO. 94304-0108		DOCUMENT NO. SD-94304-010		
			1 PLACE	± 0.15	± ---	MATERIAL NO. 94304-0108		DOCUMENT NO. SD-94304-010		
			ANGULAR ± 2 °		MATERIAL NO. 94304-0108		DOCUMENT NO. SD-94304-010		SHEET NO. 1 OF 1	
			DRAFT WHERE APPLICABLE MUST REMAIN WITHIN DIMENSIONS			THIS DRAWING CONTAINS INFORMATION THAT IS PROPRIETARY TO MOLEX INCORPORATED AND SHOULD NOT BE USED WITHOUT WRITTEN PERMISSION				

9 8 7 6 5 4 3 2 1