

Excellent Integrated System Limited

Stocking Distributor

Click to view price, real time Inventory, Delivery & Lifecycle Information:

[Molex Connector Corporation](#)
[0643201301](#)

For any questions, you can email us directly:

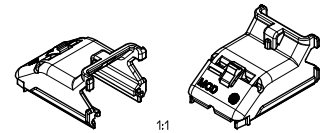
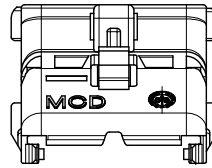
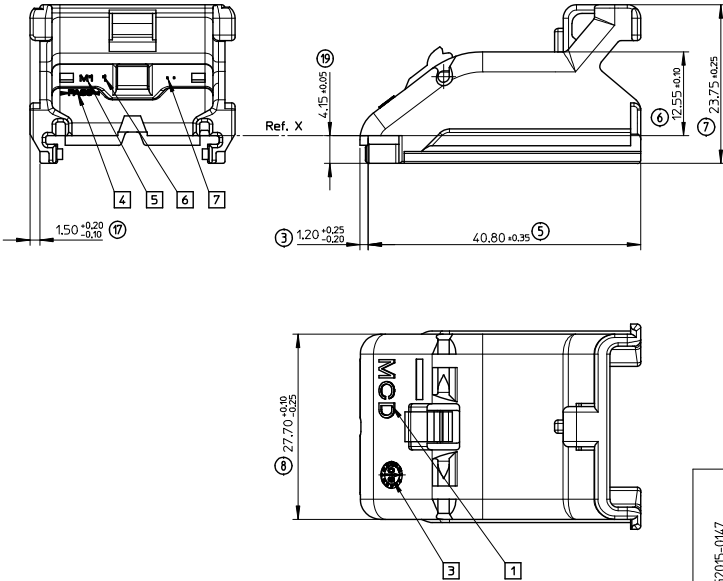
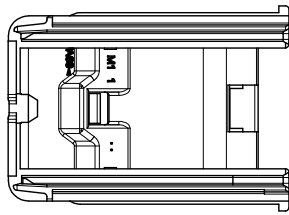
sales@integrated-circuit.com

NOTES:

- 1- MATERIAL: PA 6.6 BLACK heat stabilized.
- 2- DELIVERED PRODUCT WEIGHT: 5.0 g.
- 3- RELATED COUNTERPART FEMALE CONNECTORS (48 WAYS).

MARKINGS:

- 1 Supplier identification.
- 3 Date: MONTH/YEAR.
- 4 Material.
- 5 Mould identification M1 or M2.
- 6 Print identification (number).
- 7 Revision level



REVISED EC NO: G2015-0147 D: DRW: PBOUJAIN 2015/02/12 C: CHK: PLESSIS 2015/02/12 A: APPR: CBOUCHAN 2015/03/03 REV. DESCRIPTION	QUALITY SYMBOLS 	GENERAL TOLERANCES (UNLESS SPECIFIED)		DIMENSION STYLE MM ONLY		SCALE 2.5:1	DESIGN UNITS METRIC	FIRST ANGLE PROJECTION			
		4 PLACES ±--- ±---	3 PLACES ±--- ±---	2 PLACES ±--- ±---	1 PLACE ±--- ±---	0 PLACE ±--- ±---	DRAWN BY PGRANDCL 2013/04/16		DATE 2013/04/16	TITLE WIRE CAP 48 WAY MAT SEAL VERSION	
		DRAFT WHERE APPLICABLE MUST REMAIN WITHIN DIMENSIONS							MATERIAL NO. 0643201301	DOCUMENT NO. SD-64320-002	SHEET NO. 1 OF 1
		INCORPORATED AND SHOULD NOT BE USED WITHOUT WRITTEN PERMISSION									