

## **Excellent Integrated System Limited**

Stocking Distributor

Click to view price, real time Inventory, Delivery & Lifecycle Information:

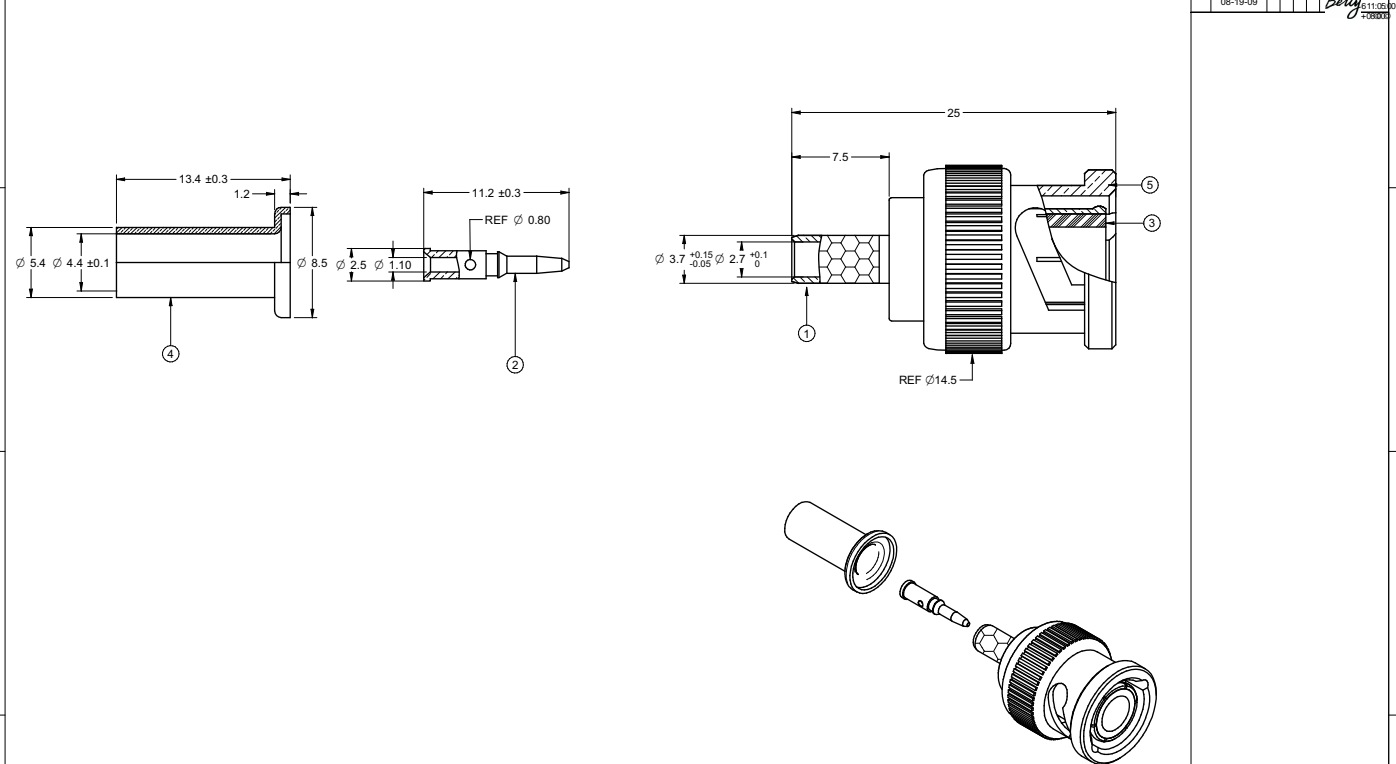
[Cinch Connectivity Solutions](#)  
[27-9119](#)

For any questions, you can email us directly:

[sales@integrated-circuit.com](mailto:sales@integrated-circuit.com)

PART NUMBER	ITEM ① BODY	ITEM ② CONTACT	ITEM ③ INSULATOR	ITEM ④ CRIMP SLEEVE	ITEM ⑤ CUPLING NUT
27-9119	BRASS NICKEL PLATED	BRASS GOLD PLATED	DELRIN	BRASS NICKEL PLATED	BRASS NICKEL PLATED

DRAWING NO. 27-9119	
REVISIONS	
01	RELEASE FOR QUOTATION 08-19-09



NOTES:

1. FURTHER TECHNICAL DETAIL: REFER TO EMERSON DOCUMENT P/N 27-0000

THIS DRAWING TO BE INTERPRETED PER ANS Y 14.5M - 1994

COMPANY CONFIDENTIAL

受控 CONTROLLED DOCUMENT					
编号 P/N	27-9119	版本 Rev	01	日期 Rel'd Date	SEP 17, 09

TOLERANCE UNLESS OTHERWISE SPECIFIED	DRAWN BY VON WANG	DATE 08-19-09
DECIMALS	CHECKED BY LINDA WU	DATE 08-19-09
X	APPROVED BY THOMAS	DATE 08-19-09
XX		
XXX		
ANGLES	U/M	mm

TITLE	BNC MALE CRIMP FOR BELDEN 89907
SHEET	1 OF 1
DRAWING NO.	27-9119
SIZE	C

THIS DRAWING WAS PRODUCED BY COMPUTER. DO NOT SCALE DRAWING OR UPDATE MANUALLY.