

Excellent Integrated System Limited

Stocking Distributor

Click to view price, real time Inventory, Delivery & Lifecycle Information:

[Molex Connector Corporation](#)

[15-82-0678](#)

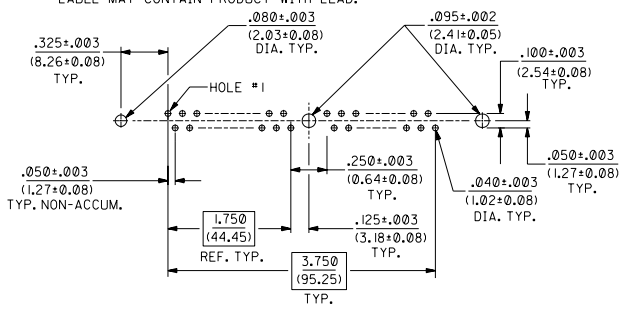
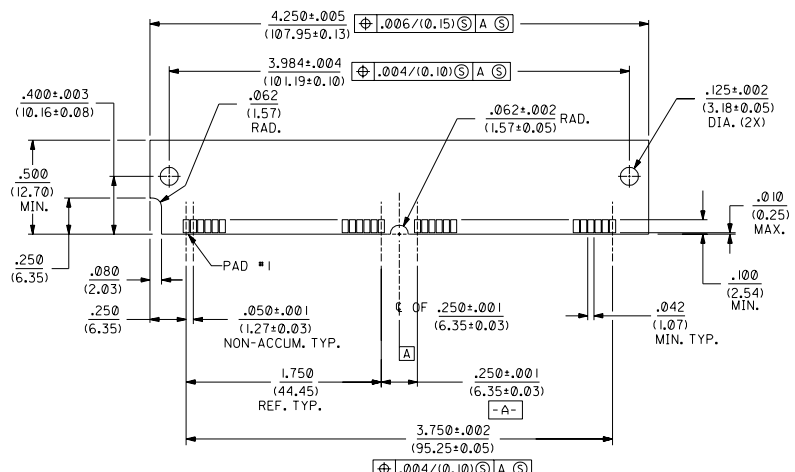
For any questions, you can email us directly:

sales@integrated-circuit.com

- NOTES:**
- CARD SLOT ACCEPTS P.C. BOARDS .050 +.004/-0.03 THICK, MEASURED OVER CONTACT PADS.
 - PRODUCT SPEC PS-78954 APPLIES.
 - LOCATION OF LOWER CORNER OF MODULE BOARD.
 - CENTER PEG IS AN INTERFERENCE FIT TO RECOMMENDED P.C. BOARD HOLE.

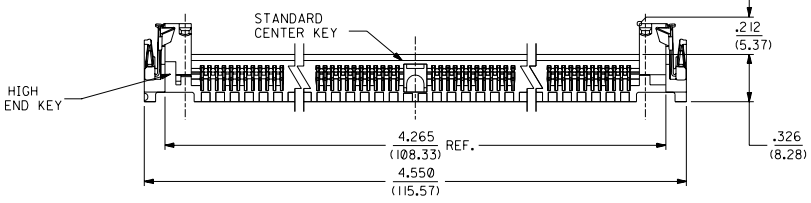
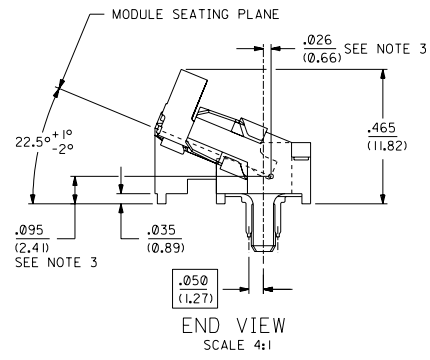
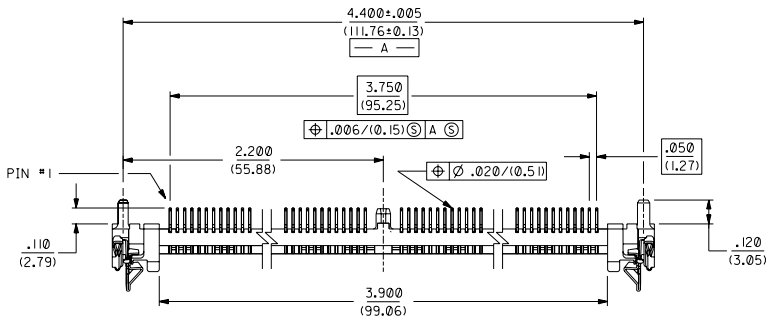
MATERIALS:
 HOUSING: LCP, GLASS FILLED, 94V-0. COLOR: BLACK.
 LATCH: STAINLESS STEEL.
 TERMINAL: PHOSPHOR BRONZE, POST PLATED
 200 μIN./15.08μm MIN. TIN IN CONTACT AREA AND
 150 μIN./3.81μm MIN. TIN IN TAIL AREA OVER
 50 μIN./1.27μm MIN. NICKEL OVERALL.

*THE PRIMARY SHIPPING CARTON WILL BE LABELED *COMPLIANT TO RoHS DIRECTIVE 2002/95/EC AND ELV ANNEX II OF DIRECTIVE 2000/53/EC. CARTONS WITHOUT THIS LABEL MAY CONTAIN PRODUCT WITH LEAD.



"SIMM" P.C. BOARD LAYOUT

RECOMMENDED SOCKET P.C. BOARD HOLE PATTERN



DIMENSIONS SHOWN (METRIC) INCH		UNLESS OTHERWISE SPECIFIED TOLERANCES ARE AS FOLLOWS	
	INCH	METRIC	
1 PLACE	± .010	---	
2 PLACE	± .014	± 0.25	
3 PLACE	---	± 0.36	

DRG. BY	PDB	CHKD. BY	SCALE	2:1
FILE NAME	S1896430			
PART NO.	15-82-0678	DRWG. NO.	SDA-78964-7231	
DATE	01/18/91	REV.	1	

MFC. SH.	REV.	LTR.	REVISIONS
			LEAD FREE LCP2004-582 RW/HTLE 04/02/25
			REVISED PER ECN #051994 DRY 7-18-95
			REVISED PEG LENGTH PER ECN #30751 MJS 6-8-93
			DEL FEATURE CONTROL BLOCK PER ECN #21881 PDB 12-28-92
			.010 BLOCK TOL WAS .050 PER ECN #21290 PDB 09-27-92
			REMOVED TRACKING TOES PER ECN #120914 PDB 06-17-92
			REVISED SALES MASTER PER ECN #11871 PDB 09-10-91
			RELEASE PER ECN #10303 PDB 01-18-91