

Excellent Integrated System Limited

Stocking Distributor

Click to view price, real time Inventory, Delivery & Lifecycle Information:

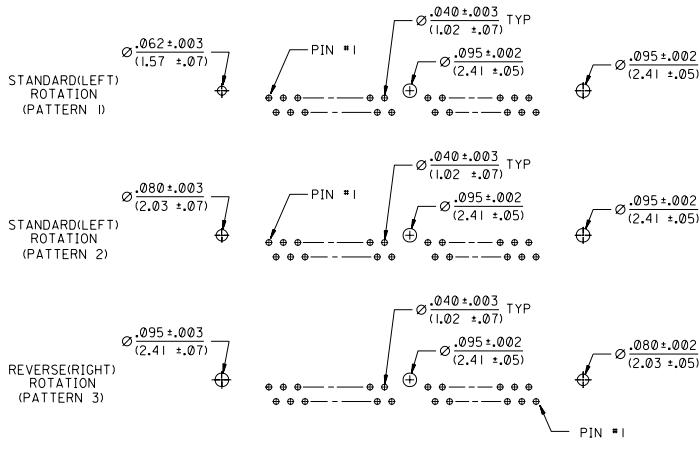
[Molex Connector Corporation](#)
[15-82-0312](#)

For any questions, you can email us directly:
sales@integrated-circuit.com

THROUGH HOLE

SHEET #	MODULE HEIGHT	LATCH	ROTATION	PCB PATTERN
2	.125	PLASTIC	STANDARD(LEFT)	PATTERN 1
3	.125	PLASTIC	REVERSE(RIGHT)	PATTERN 3
4	.160	PLASTIC	STANDARD(LEFT)	PATTERN 1
5	.160	PLASTIC	STANDARD(LEFT)	PATTERN 2
6	.160	PLASTIC	REVERSE(RIGHT)	PATTERN 3
7	.160	METAL	STANDARD(LEFT)	PATTERN 1
8	.160	METAL	STANDARD(LEFT)	PATTERN 2
9	.160	METAL	REVERSE(RIGHT)	PATTERN 3
10	.190	PLASTIC	STANDARD(LEFT)	PATTERN 1
11	.190	PLASTIC	STANDARD(LEFT)	PATTERN 2
12	.190	PLASTIC	REVERSE(RIGHT)	PATTERN 3
13	.190	METAL	STANDARD(LEFT)	PATTERN 1
14	.190	METAL	STANDARD(LEFT)	PATTERN 2
15	.190	METAL	REVERSE(RIGHT)	PATTERN 3
16	.250	PLASTIC	STANDARD(LEFT)	PATTERN 1
17	.250	PLASTIC	STANDARD(LEFT)	PATTERN 2
18	.250	PLASTIC	REVERSE(RIGHT)	PATTERN 3
19	.250	METAL	STANDARD(LEFT)	PATTERN 1
20	.250	METAL	STANDARD(LEFT)	PATTERN 2
21	.250	METAL	REVERSE(RIGHT)	PATTERN 3
22	.290	PLASTIC	STANDARD(LEFT)	PATTERN 1
23	.290	PLASTIC	STANDARD(LEFT)	PATTERN 2
24	.290	PLASTIC	REVERSE(RIGHT)	PATTERN 3
25	.290	METAL	STANDARD(LEFT)	PATTERN 1
26	.290	METAL	STANDARD(LEFT)	PATTERN 2
27	.290	METAL	REVERSE(RIGHT)	PATTERN 3

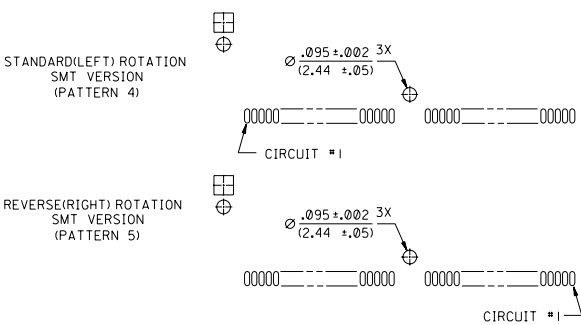
THROUGH HOLE PATTERNS



SURFACE MOUNT

SHEET #	MODULE HEIGHT	LATCH	ROTATION	PCB PATTERN
28	.160	METAL	STANDARD(LEFT)	PATTERN 4
29	.160	METAL	REVERSE(RIGHT)	PATTERN 5
30	.190	METAL	STANDARD(LEFT)	PATTERN 4
31	.190	METAL	REVERSE(RIGHT)	PATTERN 5
32	.250	METAL	STANDARD(LEFT)	PATTERN 4
33	.250	METAL	REVERSE(RIGHT)	PATTERN 5
34	.290	METAL	STANDARD(LEFT)	PATTERN 4
35	.290	METAL	REVERSE(RIGHT)	PATTERN 5

SURFACE MOUNT PATTERNS



P.C. BOARD HOLE PATTERNS

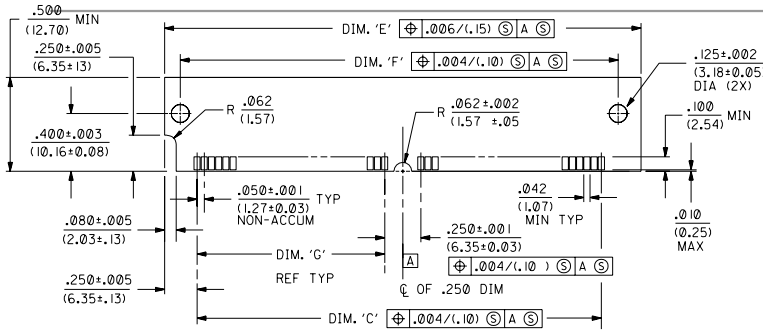
35	D
34	D
33	D
32	D
31	D
30	D
29	D
28	D
27	D
26	D
25	D
24	D
23	D
22	D
21	D
20	D
19	D
18	D
17	D
16	D
15	D
14	D
13	D
12	D
11	D

DIMENSIONS SHOWN (METRIC) INCH UNLESS OTHERWISE SPECIFIED TOLERANCES: ANGULAR ± 1/2°		REVISIONS	
± PLACE ± .01	---	MFG.	SH.
± PLACE ± .014	± 0.25	REV.	LTR.
± PLACE ---	± 0.36	REV. 1	
DRAFT WHEN APPLICABLE MUST REMAIN WITHIN DIMENSIONS		REV. 2	
DRAWN: AMD		REV. 3	
CHECKED: BT		REV. 4	
APP'D: BT		REV. 5	
SCALE 2 : 1		REV. 6	
FILE NAME S07896801		REV. 7	
DRAWN: BT		REV. 8	
CHECKED: BT		REV. 9	
APP'D: BT		REV. 10	
SCALE 2 : 1		REV. 11	
FILE NAME S07896801		REV. 12	
DRAWN: BT		REV. 13	
CHECKED: BT		REV. 14	
APP'D: BT		REV. 15	
SCALE 2 : 1		REV. 16	
FILE NAME S07896801		REV. 17	
DRAWN: BT		REV. 18	
CHECKED: BT		REV. 19	
APP'D: BT		REV. 20	
SCALE 2 : 1		REV. 21	
FILE NAME S07896801		REV. 22	
DRAWN: BT		REV. 23	
CHECKED: BT		REV. 24	
APP'D: BT		REV. 25	
SCALE 2 : 1		REV. 26	
FILE NAME S07896801		REV. 27	
DRAWN: BT		REV. 28	
CHECKED: BT		REV. 29	
APP'D: BT		REV. 30	
SCALE 2 : 1		REV. 31	
FILE NAME S07896801		REV. 32	
DRAWN: BT		REV. 33	
CHECKED: BT		REV. 34	
APP'D: BT		REV. 35	
SCALE 2 : 1		REV. 36	
FILE NAME S07896801		REV. 37	
DRAWN: BT		REV. 38	
CHECKED: BT		REV. 39	
APP'D: BT		REV. 40	
SCALE 2 : 1		REV. 41	
FILE NAME S07896801		REV. 42	
DRAWN: BT		REV. 43	
CHECKED: BT		REV. 44	
APP'D: BT		REV. 45	
SCALE 2 : 1		REV. 46	
FILE NAME S07896801		REV. 47	
DRAWN: BT		REV. 48	
CHECKED: BT		REV. 49	
APP'D: BT		REV. 50	
SCALE 2 : 1		REV. 51	
FILE NAME S07896801		REV. 52	
DRAWN: BT		REV. 53	
CHECKED: BT		REV. 54	
APP'D: BT		REV. 55	
SCALE 2 : 1		REV. 56	
FILE NAME S07896801		REV. 57	
DRAWN: BT		REV. 58	
CHECKED: BT		REV. 59	
APP'D: BT		REV. 60	
SCALE 2 : 1		REV. 61	
FILE NAME S07896801		REV. 62	
DRAWN: BT		REV. 63	
CHECKED: BT		REV. 64	
APP'D: BT		REV. 65	
SCALE 2 : 1		REV. 66	
FILE NAME S07896801		REV. 67	
DRAWN: BT		REV. 68	
CHECKED: BT		REV. 69	
APP'D: BT		REV. 70	
SCALE 2 : 1		REV. 71	
FILE NAME S07896801		REV. 72	
DRAWN: BT		REV. 73	
CHECKED: BT		REV. 74	
APP'D: BT		REV. 75	
SCALE 2 : 1		REV. 76	
FILE NAME S07896801		REV. 77	
DRAWN: BT		REV. 78	
CHECKED: BT		REV. 79	
APP'D: BT		REV. 80	
SCALE 2 : 1		REV. 81	
FILE NAME S07896801		REV. 82	
DRAWN: BT		REV. 83	
CHECKED: BT		REV. 84	
APP'D: BT		REV. 85	
SCALE 2 : 1		REV. 86	
FILE NAME S07896801		REV. 87	
DRAWN: BT		REV. 88	
CHECKED: BT		REV. 89	
APP'D: BT		REV. 90	
SCALE 2 : 1		REV. 91	
FILE NAME S07896801		REV. 92	
DRAWN: BT		REV. 93	
CHECKED: BT		REV. 94	
APP'D: BT		REV. 95	
SCALE 2 : 1		REV. 96	
FILE NAME S07896801		REV. 97	
DRAWN: BT		REV. 98	
CHECKED: BT		REV. 99	
APP'D: BT		REV. 100	

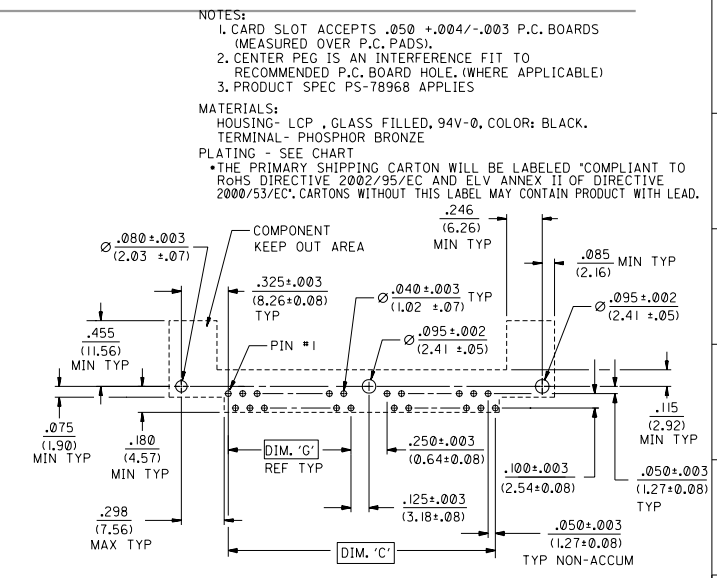
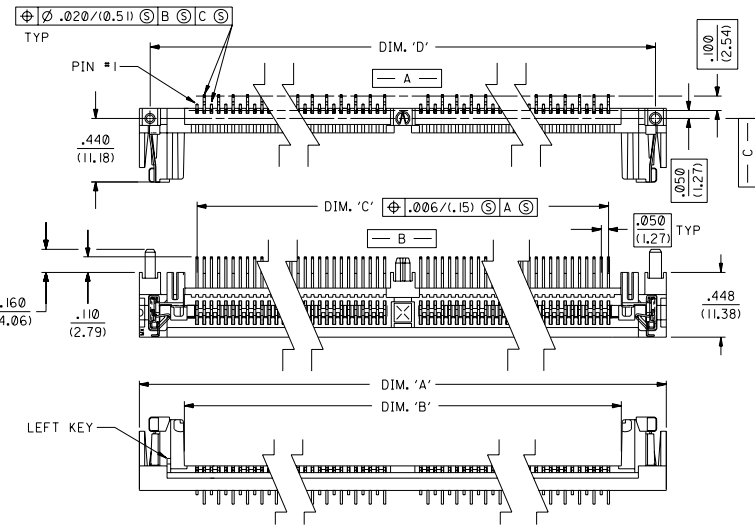
SALES ASSEMBLY
 .05 PITCH RIGHT ANGLE
 SIMM SOCKET FAMILY

MOLEX INCORPORATED
 SHEET NO. 1 OF 35
 DATE 11/11/93
 SEE CHART SDA-78968-***

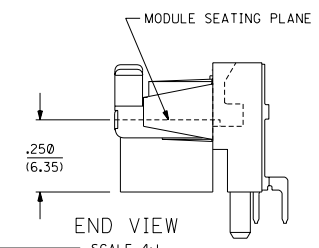
THIS DRAWING CONTAINS INFORMATION THAT IS PROPRIETARY TO MOLEX, INC. AND SHOULD NOT BE USED WITHOUT WRITTEN PERMISSION, DA C



"SIMM" P.C. BOARD LAYOUT



RECOMMENDED SOCKET P.C. BOARD HOLE PATTERN



END VIEW
SCALE 4:1

CIRCUITS	DIM. 'A'	DIM. 'B'	DIM. 'C'	DIM. 'D'	DIM. 'E'	DIM. 'F'	DIM. 'G'	ENG. NUMBER		ENG. NUMBER	
								TIN PLATING	TIN PLATING	GOLD PLATING	GOLD PLATING
40	2.950/(74.93)	2.327/(59.11)	2.150/(54.61)	2.800/(71.12)	2.650/(67.31)	2.384/(60.55)	.950/(24.13)	-4046	15-82-1542	-4047	15-82-1549
64	4.150/(105.41)	3.527/(89.58)	3.350/(85.09)	4.000/(101.60)	3.850/(97.79)	3.584/(91.03)	1.550/(39.37)	-6445	15-82-1543	-6446	15-82-1550
68	4.350/(110.49)	3.727/(94.66)	3.550/(90.17)	4.200/(106.68)	4.050/(102.87)	3.784/(96.12)	1.650/(41.91)	-6845	15-82-1544	-6846	15-82-1551
72	4.550/(115.57)	3.927/(99.74)	3.750/(95.25)	4.400/(111.76)	4.250/(107.95)	3.984/(101.19)	1.750/(44.45)	-7248	15-82-1538	-7230	15-82-0312
80	4.950/(125.73)	4.327/(109.90)	4.150/(105.41)	4.800/(121.92)	4.650/(118.11)	4.384/(111.35)	1.950/(49.53)	-8046	15-82-1546	-8047	15-82-1552
84	5.150/(130.81)	4.527/(114.98)	4.350/(109.22)	5.000/(127.00)	4.850/(123.19)	4.584/(116.43)	2.050/(52.07)	-8446	15-82-1547	-8447	15-82-1553
100	5.950/(151.13)	5.327/(135.13)	5.150/(130.81)	5.800/(147.32)	5.650/(143.51)	5.384/(136.75)	2.450/(62.23)	-1045	15-82-1548	-1030	15-82-0311

MFG. SH. REV. LTR. REVISIONS

SALES ASSM, METAL LATCH
 .250 MOD. HGT., LEFT (STD.) KEY,
 RIGHT ANGLE SIMM SOCKET

MOLEX INCORPORATED
 15500 W. 10TH AVE., GARDEN CITY, MO 64240

DATE: 11/11/93

SEE CHART SDA-78968-****

THIS DRAWING CONTAINS INFORMATION THAT IS PROPRIETARY TO MOLEX AND SHOULD NOT BE USED WITHOUT WRITTEN PERMISSION FROM MOLEX.