

Excellent Integrated System Limited

Stocking Distributor

Click to view price, real time Inventory, Delivery & Lifecycle Information:

[Molex Connector Corporation](#)
[0530480210](#)

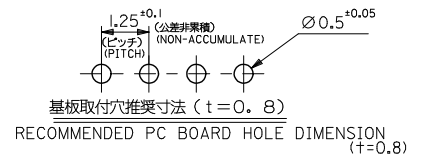
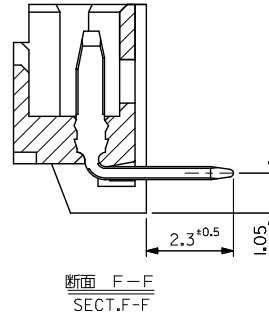
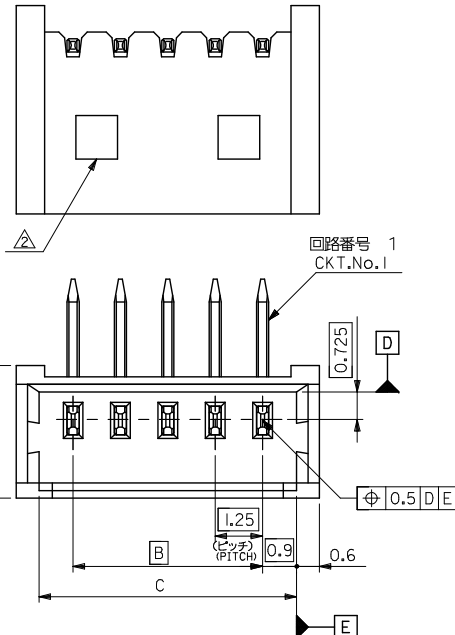
For any questions, you can email us directly:

sales@integrated-circuit.com

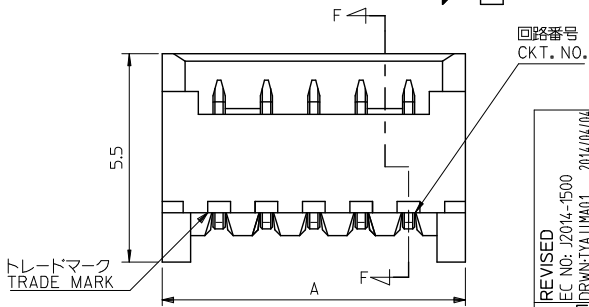
注記

NOTES

1. 嵌合相手: 51021-***00
MATE WITH: 51021-***00
- △. ロック窓は、2, 3極が1ヶ所、4~15極が2ヶ所とする。
WINDOW OF LOCK CONSTRUCTED 1 POINT BY 2,3POLES AND 2POINTS BY 4~15POLES.
3. MATERIAL :
PIN : PHOSPHOR BRONZE, PRE-PLATED TIN
WAFER : NYLON, 94V-0 , NATURAL COLOR



19.3	17.5	20.5	53048-1510	15
18.05	16.25	19.25	-1410	14
16.8	15	18	-1310	13
15.55	13.75	16.75	-1210	12
14.3	12.5	15.5	-1110	11
13.05	11.25	14.25	-1010	10
11.8	10	13	-0910	9
10.55	8.75	11.75	-0810	8
9.3	7.5	10.5	-0710	7
8.05	6.25	9.25	-0610	6
6.8	5	8	-0510	5
5.55	3.75	6.75	-0410	4
4.3	2.5	5.5	-0310	3
3.05	1.25	4.25	53048-0210	2
C	B	A	ENG. NO.	極数



REVISED IEC NO. J2014-1500 DRAWN: TYAJIMA01 CHIKIDAKAKAWA APPROV: NUKITA 2014/04/04 2014/04/07 2014/04/07	GENERAL TOLERANCES (UNLESS SPECIFIED)		DIMENSION STYLE MM ONLY		SCALE ---	DESIGN UNITS METRIC	THIRD ANGLE PROJECTION
	10 UNDER	± 0.2	DRAWN BY TYAJIMA01	DATE 2014/04/04	TITLE 1.25 W/B CONN WAFER ASSY R/A		
	10 OVER 30 UNDER	± 0.25	CHECKED BY KASAKAWA	DATE 2014/04/07	DOCUMENT NO. SD-53048-001		
	30 OVER	± 0.3	APPROVED BY NUKITA	DATE 2014/04/07	SHEET NO. 1 OF 1		
ANGULAR ± 3 °		DRAFT WHERE APPLICABLE MUST REMAIN WITHIN DIMENSIONS		MATERIAL NO. SEE TABLE		THIS DRAWING CONTAINS INFORMATION THAT IS PROPRIETARY TO MOLEX INCORPORATED AND SHOULD NOT BE USED WITHOUT WRITTEN PERMISSION	