

## Excellent Integrated System Limited

Stocking Distributor

Click to view price, real time Inventory, Delivery & Lifecycle Information:

[Dialight](#)  
[1770931003](#)

For any questions, you can email us directly:  
[sales@integrated-circuit.com](mailto:sales@integrated-circuit.com)



### **Important notes about Classic Panel Mount Indicator Catalog Pages**

#### **SCROLL DOWN TO VIEW CATALOG PAGE**

This catalog page is out-of-print and is used with the understanding that the information shown could be out-of-date. In many cases, part numbers shown on this page are discontinued. Most notably, many “Complete Assembly” parts, which consist of a cap and a base, can no longer be ordered by the 14-digit ordering code. To obtain these parts, please order the cap and base part numbers separately. This process provides the components contained with the original “Complete Assembly” part number.

All Dialight Classic Panel Mount Indicators need a leading 3-digit numerical series. In some cases, this catalog will show a 2-digit series. In this case, please add a leading zero. For example, 81-0211-300 becomes **081-0211-300**.

Part numbers listed on Dialight catalog pages designate parts with Red lenses. For ordering lens colors other than red, consult the chart below. In most cases, the color is dictated by the 7<sup>th</sup> digit. For example, 095-0932-003 for a green cap.

Lens Colors	
1 - Red	5 - White
2 - Green	6 - Light Yellow
3 - Yellow	7 - Clear
4 - Blue	

[Click here for a cross reference guide to assembly part numbers.](#)

[Click here to view Frequently Asked Questions concerning Panel Mount Indicators.](#)

#### **SCROLL DOWN TO VIEW CATALOG PAGE**

# WATER-TIGHT Incandescent Indicators

with RETAINED O-RING SEALS – TWO TERMINALS - FULLY INSULATED

WATER-TIGHT, OIL-TIGHT, DUST-TIGHT ON THE FACE OF THE PANEL

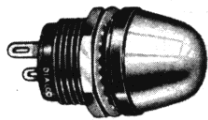
For mounting in 15/32" clearance hole



T-1 3/4  
 MIDGET  
 FLANGE BASE

See lamp ratings  
 on page J.

MEET OR EXCEED ENVIRONMENTAL AND OPERATIONAL REQUIREMENTS  
 OF MIL-L-6723 AND MIL-L-3661B



177-8430-0931-503

## MATERIALS AND FINISHES

- **Mounting Bushing:** Aluminum, black anodize finish. Optional—clear anodize finish.
- **Internal-tooth Lockwasher and Mounting Nut:** Steel, cadmium plated with yellow iridescent chromate finish.
- **Terminals:** Brass, hot tinned, with elongated slot.
- **Lens:** High impact plastic.

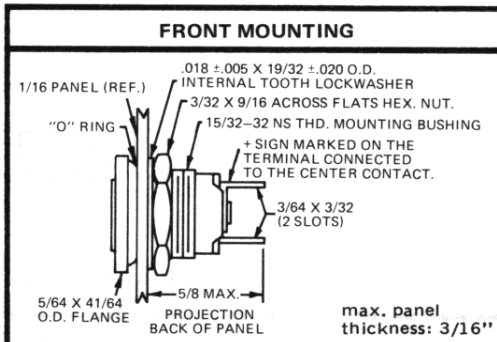
How to designate the Three Digit Part Number Suffix (-XXX)

Finish	Resistor	Hardware
5 – black anodize	0 – none	3 – watertight on the face of the panel
6 – clear anodize		

Example: 177-8430-0931-603 (clear anodize finish, no resistor, watertight construction).

## 177 SERIES

BASE PART NUMBERS



177-8430-09-503

CAP PART NUMBERS	COMPLETE ASSEMBLY PART NUMBERS
<p><b>STOVEPIPE</b></p> <p>177-0931-003 transparent</p> <p>177-0971-003 translucent</p>	<p>177-8430-0931-503</p> <p>177-8430-0971-503</p>

Part numbers listed in this catalog designate products with RED lens. For ordering lens colors other than red, consult chart on page 4C.

Order complete with lamp to be assured of receiving the indicator light and correct lamp together for immediate use.

Part numbers shown in gray are normally in inventory at your Dialight Distributor.