

Excellent Integrated System Limited

Stocking Distributor

Click to view price, real time Inventory, Delivery & Lifecycle Information:

[Dialight](#)
[5219889F](#)

For any questions, you can email us directly:
sales@integrated-circuit.com

REV	ECN NO	REVISIONS	DRN	CKD	APP	DATE
A		NEW RELEASE	SM			

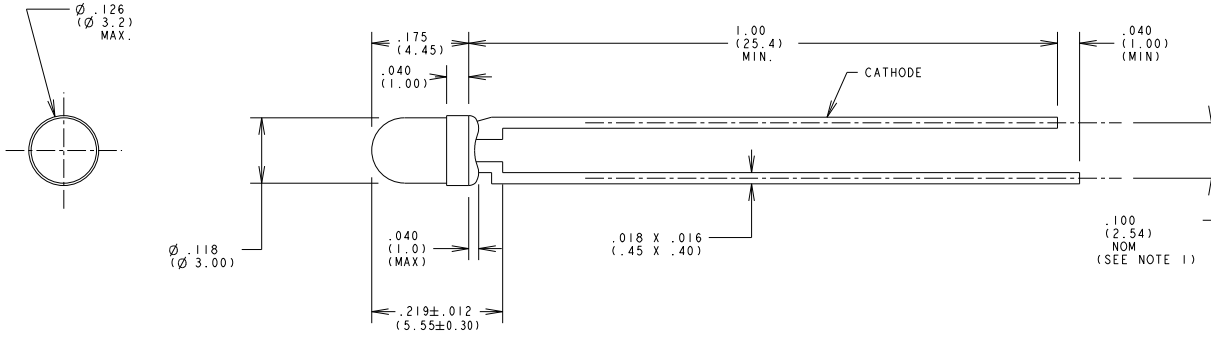
LED COLOR = YELLOW WATER CLEAR

OPERATING CHARACTERISTICS AT 25°C AMBIENT

CHARACTERISTICS	MIN	TYP	MAX	UNITS	TEST CONDITIONS
LUMINOUS INTENSITY	180	320		mcd	$I_f = 20 \text{ mA}$
FORWARD VOLTAGE		2.0	2.4	V	$I_f = 20 \text{ mA}$
REVERSE CURRENT			100	μA	$V_R = 5 \text{ V}$
PEAK WAVELENGTH		588		nm	
DOMINANT WAVELENGTH	586	589	592	nm	
VIEWING ANGLE		56		Degree	

NOTES:

- LEAD SPACING MEASURED NEAR EPOXY PACKAGE.
- DIALIGHT PART NO. 521-9889F.



RoHS Compliant 521-9889F Thru hole Single Color LED

Part Numbers with the "F" suffix ending are RoHS Compliant.
 Example: 551-9889F
 The bag packaging is marked with "RoHS Compliant" label or equivalent markings.
 Parts can be wave soldered, dip soldered or hand soldered using typical lead-free soldering process with max 260°C temp. for 5 sec.

ABSOLUTE MAXIMUM RATING AT 25°C AMBIENT	UNITS	YELLOW WATER CLEAR
POWER DISSIPATION	mW	75
CONTINUOUS FORWARD CURRENT	mA	30
DERATE LINEARLY FROM 50°C	mA/°C	0.4
PEAK FORWARD CURRENT (1/10 DUTY CYCLE, 0.1 ms PULSE WIDTH)	mA	60
LEAD SOLDERING TEMPERATURE, 5 SEC., 1/16" FROM BODY	°C	260
OPERATING TEMPERATURE	°C	-55 TO 100
STORAGE TEMPERATURE	°C	-40 TO 100

THIS DRAWING AND THE CONTENTS HEREIN ARE CONFIDENTIAL AND THE SOLE PROPERTY OF DIALIGHT. REPRODUCTION OF THIS DRAWING OR CONSTRUCTION OF ANY PARTS WITHIN THIS DRAWING ARE FORBIDDEN WITHOUT THE WRITTEN CONSENT OF DIALIGHT.		
SCALE: DRAWING SCALE	DRAWING NUMBER	REV
ALL DIM'S IN: INCHES (MM)	C-17484	A
TOLERANCES: UNLESS OTHERWISE SPECIFIED	TITLE	
FRACTIONS: ±1/64	3mm LED AllInGaN YELLOW	
DECIMALS (.XX): ±.01	WATER CLEAR LENS, RoHS COMPLIANT	
DECIMALS (.XXX): ±.005	MATERIAL	
DECIMALS (.XXXX): ±.0005		
ANGLES: ±5°		
FINISH:	Dialight	
FSCM 83330	1501 ROUTE 34 SOUTH, FARMINGDALE, NJ 07727	
SHEET 1 OF 1 FAMILY TABLE:		