

Excellent Integrated System Limited

Stocking Distributor

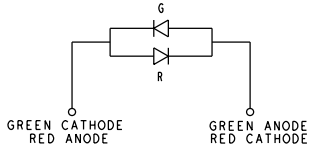
Click to view price, real time Inventory, Delivery & Lifecycle Information:

[Dialight](#)
[5503006806F](#)

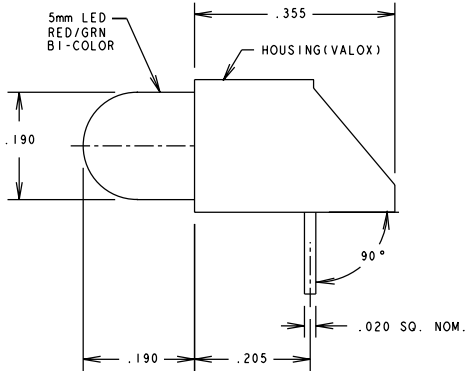
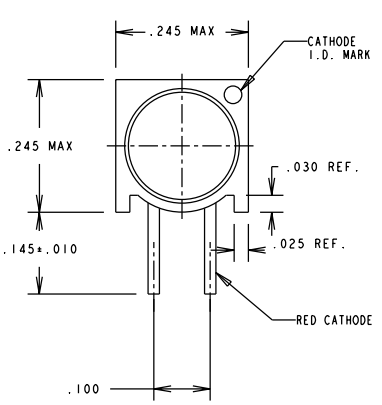
For any questions, you can email us directly:
sales@integrated-circuit.com

OPERATING CHARACTERISTICS AT $T_a = 25\text{ }^\circ\text{C}$
 RED/GREEN BI-COLOR L.E.D.

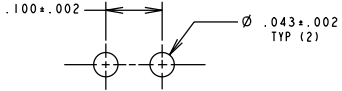
REV.	ECN NO.	REVISIONS	DRN.	CKD.	APP.	DATE
A		NEW RELEASE		DC		



SYMBOL	PARAMETER	COLOR	MIN	TYP	MAX	UNITS	TEST COND.
I_F	FORWARD VOLTAGE	RED		2.3	3.0	V	$I_F = 20\text{ mA}$
		GREEN		2.3	3.0		
V_R	REVERSE VOLTAGE	RED	5			V	$I_R = 100\text{ }\mu\text{A}$
		GREEN					
λ_{PK}	PEAK WAVELENGTH	RED		650		nm	MEASURED AT PEAK
		GREEN		568			
I_V	LUMINOUS INTENSITY	RED	2.0	6.0		mcd	$I_F = 20\text{ mA}$
		GREEN	2.0	6.0			
2ϕ 1/2	VIEWING ANGLE	RED		100		deg	$I_F = 20\text{ mA}$
		GREEN					



- NOTES:
- LEADS TO FIT INTO HOLES SPACED AS PER HOLE PATTERN.
 - LED LEAD DIMENSIONS SHOWN ARE MEASURED AT HOUSING EXIT.
 - DIALIGHT PART NO. 550-3006-806.



RECOMMENDED P.C.B. HOLE PATTERN

THIS DRAWING AND THE CONTENTS HEREIN ARE CONFIDENTIAL AND THE SOLE PROPERTY OF DIALIGHT. REPRODUCTION OF THIS DRAWING OR CONSTRUCTION OF ANY PARTS WITHIN THIS DRAWING ARE FORBIDDEN WITHOUT THE WRITTEN CONSENT OF DIALIGHT.		
SCALE: 6:1	DRAWING NUMBER	REV
ALL DIM'S IN: INCHES	C-16548	A
TOLERANCES: UNLESS OTHERWISE SPECIFIED	TITLE RED/GREEN BI-COLOR CBI WITH STANDOFF	
FRACTIONS: ±1/64	MATERIAL	
DECIMALS (.XX): ±.020	Dialight	
DECIMALS (.XXX): ±.015	1913 ATLANTIC AVE. MANASQUAN, N. J. 08736	
ANGLES: ±3°	FSCM 83330	SHEET OF FAMILY TABLE:
FINISH:		