

## Excellent Integrated System Limited

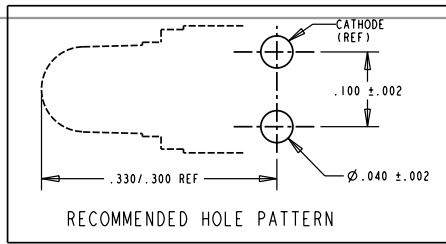
Stocking Distributor

Click to view price, real time Inventory, Delivery & Lifecycle Information:

[Dialight](#)  
[5510001897F](#)

For any questions, you can email us directly:  
[sales@integrated-circuit.com](mailto:sales@integrated-circuit.com)

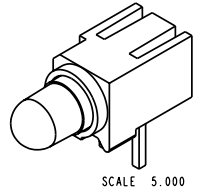
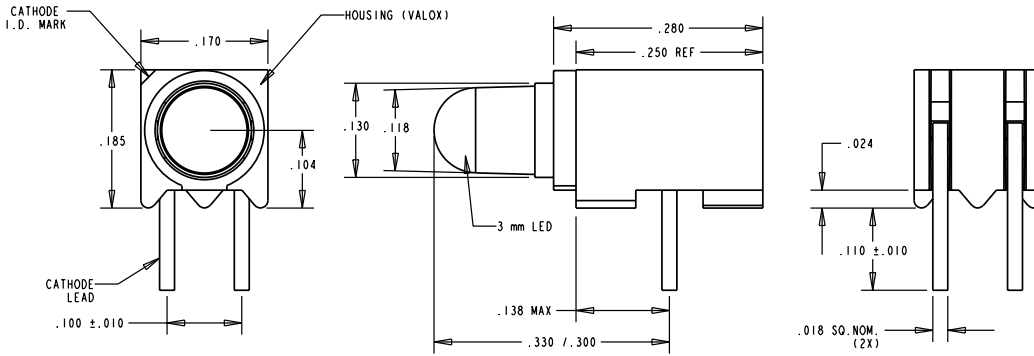
LED COLOR: GREEN DIFFUSED					
OPERATING CHARACTERISTICS AT 25°C AMBIENT					
CHARACTERISTICS	MIN	TYP	MAX	UNITS	TEST CONDITIONS
LUMINOUS INTENSITY	4.7	12.6		mc d	$I_f = 10 \text{ mA}$
FORWARD VOLTAGE	2.1	2.8		V	$I_f = 20 \text{ mA}$
PEAK WAVELENGTH		565		nm	
VIEWING ANGLE		60		Degree	
CAPACITANCE		35		pF	$V = 0, f = 1 \text{ MHz}$



REV.	ECN NO.	REVISIONS	DRN.	CKD.	APP.	DATE
A		NEW RELEASE		DC		

ABSOLUTE MAXIMUM RATING AT 25°C AMBIENT			UNITS	GREEN
POWER DISSIPATION			mW	100
CONTINUOUS FORWARD CURRENT			mA	30
DERATE LINEARLY FROM 50°C			mA/°C	0.4
PEAK FORWARD CURRENT (1/10 DUTY CYCLE, 0.1 ms PULSE WIDTH)			mA	120
REVERSE VOLTAGE			V	5
LEAD SOLDERING TEMPERATURE, 5 SEC., 1/16" FROM BODY			°C	260
OPERATING TEMPERATURE			°C	120
STORAGE TEMPERATURE			°C	-55 TO +100

- NOTES :
- LEADS TO FIT INTO HOLES SPACED AS PER HOLE PATTERN
  - LEADS SPACING MEASURED AT HOUSING EXIT.
  - DIALIGHT PART NUMBER = 551-0001-897



THIS DRAWING AND THE CONTENTS HERE IN ARE CONFIDENTIAL AND THE SOLE PROPERTY OF DIALIGHT. REPRODUCTION OF THIS DRAWING OR CONSTRUCTION OF ANY PARTS WITHIN THIS DRAWING ARE FORBIDDEN WITHOUT THE WRITTEN CONSENT OF DIALIGHT.		
SCALE 8:1	DRAWING NUMBER	REV
ALL DIMS IN: INCHES	C-16605	A
TOLERANCES: UNLESS OTHERWISE SPECIFIED	TITLE GREEN DIFFUSED 3mm CBI	
FRACTIONS: ±1/64	MATERIAL	
DECIMALS (.XX): ±.02	Dialight	
DECIMALS (.XXX): ±.015	1913 ATLANTIC AVE.	
DECIMALS (.XXXX): ±.01	MANASQUAN, N.J. 08736	
ANGLES: ±3°	FINISH:	
FSCM 83330	SHEET OF	FAMILY TABLE: