

Excellent Integrated System Limited

Stocking Distributor

Click to view price, real time Inventory, Delivery & Lifecycle Information:

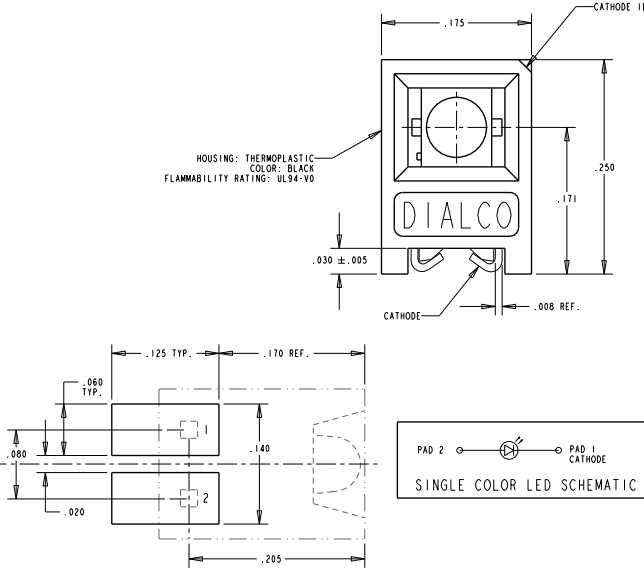
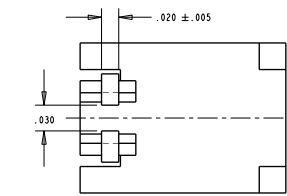
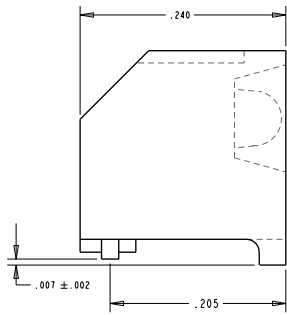
[Dialight](#)
[5632110801F](#)

For any questions, you can email us directly:
sales@integrated-circuit.com

LED COLOR : TINTED DIFFUSED						
OPERATING CHARACTERISTICS AT 25°C AMBIENT						
CHARACTERISTICS	LED	MIN	TYP	MAX	UNITS	TEST CONDITIONS
LUMINOUS INTENSITY	RED	1.0	1.8		mcd	$I_f = 1 \text{ mA}$
	GREEN	0.4	0.6			$I_f = 2 \text{ mA}$
	YELLOW	0.4	0.6			$I_f = 1 \text{ mA}$
FORWARD VOLTAGE	RED	1.6	1.8	3.0	V	$I_f = 10 \text{ mA}$
	GREEN		2.1	2.7		$I_f = 10 \text{ mA}$
	YELLOW		2.0	2.4		$I_f = 10 \text{ mA}$
REVERSE BREAKDOWN VOLTAGE	RED	5.0	15.0		V	$I_r = 100 \mu\text{A}$
	GREEN	5.0	50.0			$I_r = 100 \mu\text{A}$
	YELLOW	5.0	50.0			$I_r = 100 \mu\text{A}$
PEAK WAVELENGTH	RED		645		nm	
	GREEN		565			
	YELLOW		583			
VIEWING ANGLE	ALL		90		Degree	
	RED		30			
CAPACITANCE	RED		18		pF	$V_r = 0, f = 1 \text{ MHz}$
	GREEN		18			
	YELLOW		15			
DOMINANT WAVELENGTH	RED		637		nm	

ABSOLUTE MAXIMUM RATING AT 25°C AMBIENT				
	RED	GREEN	YELLOW	UNITS
DC FORWARD CURRENT	30	30	20	mA
PEAK FORWARD CURRENT	300	90	60	mA
TRANSIENT FORWARD CURRENT (10 μs PULSE)	500	500	500	mA
REVERSE VOLTAGE (I _R = 100 μA)	5	5	5	V
OPERATING TEMPERATURE	-40 TO 100	-40 TO 100	-55 TO 100	°C
STORAGE TEMPERATURE	-55 TO 100	-55 TO 100	-55 TO 100	°C
THRU HOLE WAVE SOLDERING TEMP., .5 SEC., 1/16" FROM BODY	260	260	260	°C
I. R. REFLOW SOLDERING TEMPERATURE	235 FOR 90 SEC.	235 FOR 90 SEC.	235 FOR 90 SEC.	°C
VAPOR PHASE SOLDERING CONDITION	215 FOR 3 MIN.	215 FOR 3 MIN.	215 FOR 3 MIN.	°C

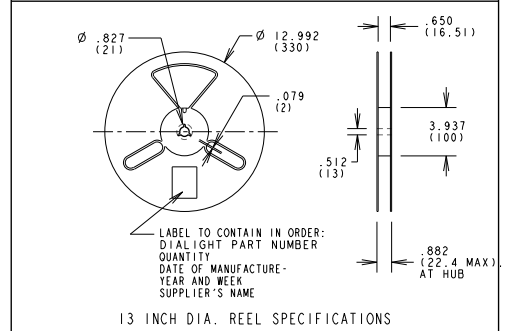
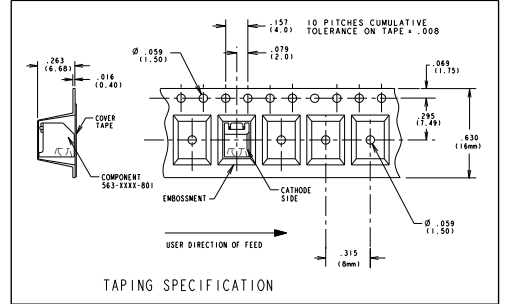
REV	ECN NO	REVISIONS	DRW	CHK	APP	DATE
A		NEW RELEASE	DC	JMC	N.O.	9/15/00
B		CHANGED LED SPECS ON P/N 563-2110-801 TO BRIGHTER LED	JMC			



RECOMMENDED SOLDER PADS

NOTES:

- PACKAGED ON 16mm CARRIER TAPE (8mm PITCH) ON 13" REEL. 1000 PARTS PER REEL. TAPE & REEL AS PER EIA STD. RS-481-2 SPEC. PLACE A LABEL ON REEL AND OUTSIDE OF BAG. LABEL TO INCLUDE P/N, QTY. PER BAG, MFG. AND DATE CODE. PLACE TAPE & REEL IN BAG WITH 2 DESICCANT, HEAT SEAL BAG.
- STORAGE OF TAPED PARTS SHALL NOT EXCEED 12 MONTHS AFTER WHICH REPACKAGING IS REQUIRED.
- DIALIGHT PART NO. 563-2110-801, 563-2310-801, 563-2410-801.



DIMENSIONS IN () ARE mm

THIS DRAWING AND THE CONTENTS HEREIN ARE CONFIDENTIAL AND THE SOLE PROPERTY OF DIALIGHT. REPRODUCTION OF THIS DRAWING OR CONSTRUCTION OF ANY PARTS WITHIN THIS DRAWING ARE FORBIDDEN WITHOUT THE WRITTEN CONSENT OF DIALIGHT.			
SCALE: 10:1	DRAWING NUMBER: C-16744	REV: B	
ALL DIM'S IN: INCHES (MM)	TITLE: SMD CBI		
TOLERANCES: UNLESS OTHERWISE SPECIFIED	MATERIAL:		
FRACTIONS: 1/16"			
DECIMALS: 1.00			
DECIMALS: 1.0000			
ANGLES: 90°			
FINISH:	Dialight	1501 ROUTE 34 SOUTH FARMINGDALE, NJ 07127	
TSCM: 83330	SHEET 1 OF 1	FAMILY TABLES:	