

Excellent Integrated System Limited

Stocking Distributor

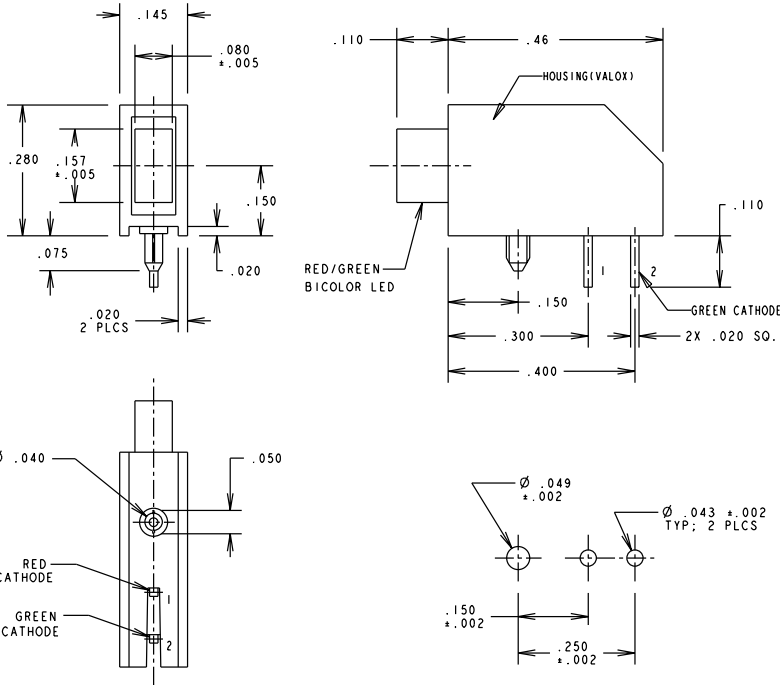
Click to view price, real time Inventory, Delivery & Lifecycle Information:

[Dialight](#)
[5660706801F](#)

For any questions, you can email us directly:
sales@integrated-circuit.com

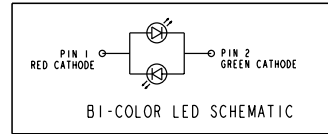
ABSOLUTE MAXIMUM RATINGS AT 25° C AMBIENT	R/G BI-COLOR		UNITS
	GREEN	RED	
POWER DISSIPATION	100	100	mW
CONTINUOUS FORWARD CURRENT	30	30	mA
DERATE LINEARLY FROM 50° C	0.4	0.4	mA/°C
PEAK FORWARD CURRENT (1/10 DUTY CYCLE, 0.1 ms PULSE WIDTH)	120	120	mA
REVERSE VOLTAGE	5	5	V
LEAD SOLDERING TEMPERATURE, 5 SEC., 1/16 FROM BODY	260		°C
OPERATING TEMPERATURE	-55 TO +100		°C
STORAGE TEMPERATURE	-55 TO +100		°C

REV.	ECN NO.	REVISIONS	DRN.	CKD.	APP.	DATE
A		NEW RELEASE	DC			



OPERATING CHARACTERISTICS AT 25° C AMBIENT

LED CHARACTERISTICS	COLOR	MIN.	TYP.	MAX.	UNITS	TEST CONDITIONS
LUMINOUS INTENSITY	GREEN RED	1.7 1.7	5.6 5.6		mc d	I _f = 20 mA
FORWARD VOLTAGE	GREEN RED		2.1 2.0	2.8	V	I _f = 20 mA
REVERSE CURRENT (I _R)	GREEN RED			100	µA	V _R = 5V
PEAK WAVELENGTH (λ _p)	GREEN RED		565 630		nm	MEASUREMENT @ PEAK
DOMINANT WAVELENGTH (λ _d)	GREEN RED		569 621		nm	MEASURED ON EXELTRON 2001
VIEWING ANGLE (2θ 1/2)	GREEN RED		140		deg.	
CAPACITANCE	GREEN RED		35 20		pF	V _b = 0 V, f = 1 MHz



NOTE:
1. DIALIGHT PART NO. 566-0706-801

THIS DRAWING AND THE CONTENTS HEREIN ARE CONFIDENTIAL AND THE SOLE PROPERTY OF DIALIGHT. REPRODUCTION OF THIS DRAWING OR CONSTRUCTION OF ANY PARTS WITHIN THIS DRAWING ARE FORBIDDEN WITHOUT THE WRITTEN CONSENT OF DIALIGHT.		
SCALE: 5:1	DRAWING NUMBER	REV
ALL DIM'S IN: INCHES	C-16745	A
TOLERANCES: UNLESS OTHERWISE SPECIFIED	TITLE	
FRACTIONS: ±1/64	RECTANGULAR RIGHT ANGLE R/G CBI	
DECIMALS (.XX): ±.020	MATERIAL	
DECIMALS (.XXX): ±.015	Dialight	
ANGLES: ±3°	1913 ATLANTIC AVE. MANASQUAN, N.J. 08736	
FINISH:	SHEET OF FAMILY TABLE:	
FSCM 83330		