

Excellent Integrated System Limited

Stocking Distributor

Click to view price, real time Inventory, Delivery & Lifecycle Information:

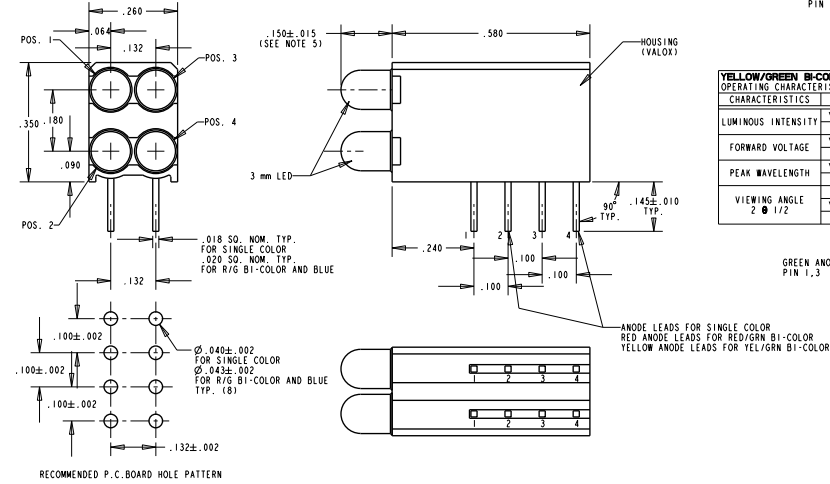
[Dialight](#)
[5690100231F](#)

For any questions, you can email us directly:
sales@integrated-circuit.com

PART NUMBER	LED COLOR				LED SPEC. CHART:
	POSITION 1	POSITION 2	POSITION 3	POSITION 4	
569-0100-231F	BLANK	GREEN	YELLOW	RED	1
569-0101-111F	RED	RED	RED	RED	1
569-0101-212F	RED	GREEN	RED	GREEN	1
569-0101-232F	RED	GREEN	YELLOW	GREEN	1
569-0101-231F	RED	GREEN	YELLOW	ORANGE	1
569-0101-312F	RED	YELLOW	ORANGE	GREEN	1
569-0101-132F	RED	ORANGE	YELLOW	GREEN	1
+569-0101-970F	RED	BLUE	ORANGE	BLANK	1
569-0102-222F	GREEN	GREEN	GREEN	GREEN	1
569-0102-232F	GREEN	GREEN	YELLOW	GREEN	1
569-0102-233F	GREEN	GREEN	YELLOW	YELLOW	1
569-0102-231F	GREEN	GREEN	YELLOW	ORANGE	1
569-0103-222F	YELLOW	GREEN	GREEN	GREEN	1
569-0103-233F	YELLOW	GREEN	YELLOW	ORANGE	1
569-0103-212F	YELLOW	ORANGE	GREEN	GREEN	1
569-0103-312F	YELLOW	YELLOW	RED	GREEN	1
569-0103-323F	GREEN	YELLOW	GREEN	YELLOW	1
569-0103-333F	YELLOW	YELLOW	YELLOW	YELLOW	1
+569-0103-970F	YELLOW	BLUE	ORANGE	BLANK	1
569-0101-713F	ORANGE	ORANGE	ORANGE	ORANGE	1
+569-0109-999F	BLUE	BLUE	BLUE	BLUE	1
569-0201-111F	RED	RED	RED	RED	2
569-0202-222F	GREEN	GREEN	GREEN	GREEN	2
569-0202-233F	GREEN	GREEN	YELLOW	YELLOW	2
569-0203-333F	YELLOW	YELLOW	YELLOW	YELLOW	2
569-0301-111F	RED	RED	RED	RED	3
569-0302-222F	GREEN	GREEN	GREEN	GREEN	3
569-0302-233F	GREEN	GREEN	YELLOW	YELLOW	3
569-0303-333F	YELLOW	YELLOW	YELLOW	YELLOW	3
569-0701-111F	RED/GREEN	RED/GREEN	RED/GREEN	RED/GREEN	4
569-0701-144F	RED/GREEN	RED/GREEN	YELLOW/GREEN	YELLOW/GREEN	4
569-0704-411F	YELLOW/GREEN	YELLOW/GREEN	RED/GREEN	RED/GREEN	4
569-0704-444F	YELLOW/GREEN	YELLOW/GREEN	YELLOW/GREEN	YELLOW/GREEN	4

NOTE:

- LED LEAD SPACING MEASURED AT HOUSING EXIT.
- PIN NUMBERS FOR REFERENCE ONLY; DESIGNATION NON-EXISTENT ON PARTS.
- DIALIGHT PART NUMBER: 569-010X-111F.
- ATTENTION: OBSERVE PRECAUTIONS FOR HANDLING ELECTROSTATIC SENSITIVE DEVICES.
- P/N: 569-0109-999F: DIMENSION FOR LED PROTRUSION FROM HOUSING IS .156±.015.



OPERATING CHARACTERISTICS AT 25°C AMBIENT					
CHARACTERISTICS	COLOR	MIN	TYP	MAX	UNITS
LUMINOUS INTENSITY	RED	7.4	10.0		mcd
	YELLOW	7.4	10.0		
	GREEN	4.7	12.6		
	ORANGE	3.4	7.0		
	BLUE	7.1	12.5	18.0	
FORWARD VOLTAGE	RED	2.0	2.8		V
	YELLOW	2.1	2.8		
	GREEN	2.1	2.8		
	ORANGE	1.5	2.2	3.0	
REVERSE VOLTAGE	RED	5			V
	YELLOW	5			
	GREEN	5			
PEAK WAVELENGTH	RED	635			nm
	YELLOW	585			
	GREEN	565			
	ORANGE	600			
	BLUE	428			
VIEWING ANGLE 2θ 1/2	RED	60			DEG.
	YELLOW	60			
	GREEN	60			
	ORANGE	60			

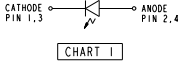


CHART 1

OPERATING CHARACTERISTICS AT 25°C AMBIENT					
CHARACTERISTICS	COLOR	MIN	TYP	MAX	UNITS
LUMINOUS INTENSITY	RED	1.0	1.6		mcd
	YELLOW	1.0	1.6		
	GREEN	1.0	1.6		
FORWARD VOLTAGE	RED	1.7	2.2		V
	YELLOW	1.8	2.2		
	GREEN	1.9	2.7		
REVERSE VOLTAGE	RED	5			V
	YELLOW	5			
	GREEN	5			
PEAK WAVELENGTH	RED	635			nm
	YELLOW	583			
	GREEN	565			
VIEWING ANGLE 2θ 1/2	RED	60			DEG.
	YELLOW	60			
	GREEN	60			

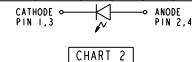


CHART 2

YELLOW/GREEN BI-COLOR LEDS					
OPERATING CHARACTERISTICS AT 25°C AMBIENT					
CHARACTERISTICS	COLOR	MIN	TYP	MAX	UNITS
LUMINOUS INTENSITY	YELLOW	2.5	4.3		mcd
	GREEN	2.5	6.3		
	RED	2.1	2.8		
FORWARD VOLTAGE	YELLOW	2.1	2.8		V
	GREEN	2.1	2.8		
	RED	2.1	2.8		
PEAK WAVELENGTH	YELLOW	635			nm
	GREEN	565			
	RED	635			
VIEWING ANGLE 2θ 1/2	RED	80			DEG.
	YELLOW	80			
	GREEN	80			

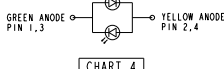


CHART 4

REV	EDN NO	REVISIONS	OWN	APP	DATE
A		NEW RELEASE	TWC	N.O.	MES 11-6-06
B		ADDED P/N 569-0103-312F	TWC	N.O.	MES 3-27-06
C		ADDED P/N 569-0100-231F	TC		

OPERATING CHARACTERISTICS AT 25°C AMBIENT					
CHARACTERISTICS	COLOR	MIN	TYP	MAX	UNITS
LUMINOUS INTENSITY	RED	8.7	29.0		mcd
	YELLOW	3.7	12.6		
	GREEN	5.6	19.0		
FORWARD VOLTAGE	RED	10.0	15.0		V
	YELLOW	10.0	15.0		
	GREEN	12.0	15.0		
REVERSE VOLTAGE	RED	5			V
	YELLOW	5			
	GREEN	5			
PEAK WAVELENGTH	RED	635			nm
	YELLOW	585			
	GREEN	565			
VIEWING ANGLE 2θ 1/2	RED	60			DEG.
	YELLOW	60			
	GREEN	60			

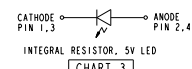


CHART 3

RED/GREEN BI-COLOR LEDS					
OPERATING CHARACTERISTICS AT 25°C AMBIENT					
CHARACTERISTICS	COLOR	MIN	TYP	MAX	UNITS
LUMINOUS INTENSITY	RED	1.7	4.7		mcd
	GREEN	3.7	10.0		
	RED	2.0	2.8		
FORWARD VOLTAGE	RED	2.1	2.8		V
	GREEN	2.1	2.8		
	RED	2.1	2.8		
PEAK WAVELENGTH	RED	635			nm
	GREEN	565			
	RED	635			
REVERSE VOLTAGE	RED	5			V
	GREEN	5			
	RED	5			
VIEWING ANGLE 2θ 1/2	RED	60			DEG.
	GREEN	60			
	RED	60			

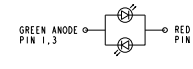


CHART 5

RoHS Compliant 569-010X-XXXXF Thru Hole CBI
 Part Numbers with the "F" suffix ending are RoHS Compliant.
 Example: 569-0101-312F
 Packaging is marked with "RoHS Compliant" label or equivalent markings.
 Parts can be wave soldered, dip soldered or hand soldered using typical lead-free soldering process with max 260°C temp. for 5 sec.

THIS DRAWING AND THE CONTENTS HEREIN ARE CONFIDENTIAL AND THE SOLE PROPERTY OF DIALIGHT. REPRODUCTION OF THIS DRAWING OR CONSTRUCTION OF ANY PARTS WITHIN THIS DRAWING ARE FORBIDDEN WITHOUT THE WRITTEN CONSENT OF DIALIGHT.	
SCALE: 5:1	DRAWING NUMBER: C-17340
ALL DIMS (IN: INCHES (MM))	REV: C
TOLERANCES: UNLESS OTHERWISE SPECIFIED	
FRACTIONS: 1/16, 1/8, 1/4, 3/8, 1/2	TITLE: BI-LEVEL CBI
DECIMALS: 1, 2, 3, 4, 5, 6, 7, 8, 9	RoHS COMPLIANT
ANGLES: 1/2, 1/4, 3/8, 1/2, 3/4, 1, 1.5, 2, 2.5, 3, 3.5, 4, 4.5, 5, 5.5, 6, 6.5, 7, 7.5, 8, 8.5, 9, 9.5, 10	MATERIAL:
FINISH:	Dialight
FSCM: 83330	1501 ROUTE 34 SOUTH FARMINGDALE, NJ 07127
	SHEET 1 OF 1 FAMILY TABLES:

