

## Excellent Integrated System Limited

Stocking Distributor

Click to view price, real time Inventory, Delivery & Lifecycle Information:

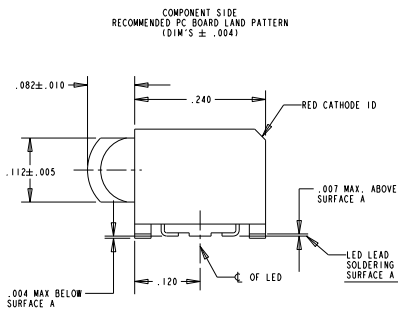
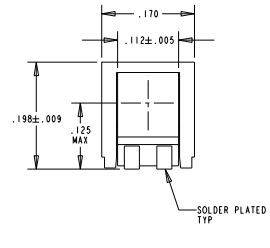
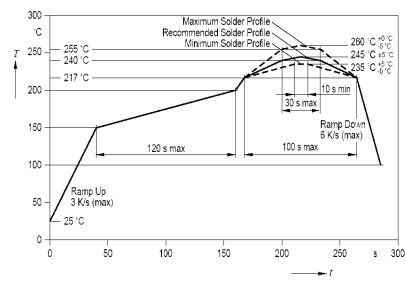
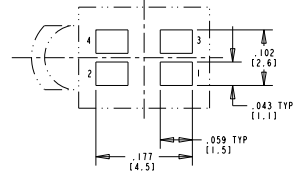
[Dialight](#)  
[5913001102F](#)

For any questions, you can email us directly:  
[sales@integrated-circuit.com](mailto:sales@integrated-circuit.com)

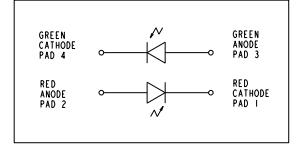
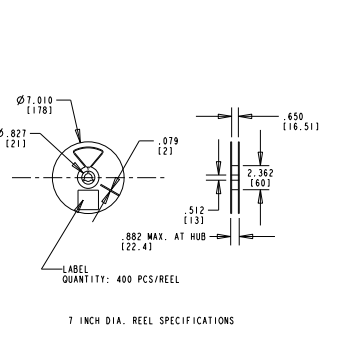
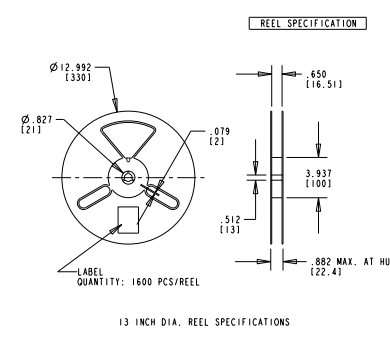
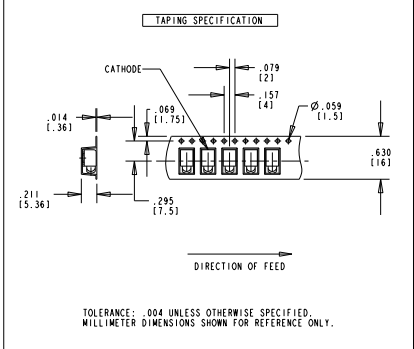
REV.	ECN NO.	REVISIONS	DRN.	CKD.	APP.	DATE
A		NEW RELEASE	TWC			

DIALIGHT P/N	COLOR	BI-COLOR OPERATING CHARACTERISTICS AT Ta = 25 °C AMBIENT										REVISIONS							
		FORWARD VOLTAGE (V)		LUMINOUS INTENSITY (mcd)		REVERSE CURRENT (µA)		PEAK WAVELENGTH (nm)		DOMINANT WAVELENGTH (nm)		REV.	ECN.	DRN.	DATE				
		TYP.	MAX.	TYP.	MIN.	TYP.	MAX.	TYP.	MIN.	TYP.	MAX.								
591-3001-102F	RED GREEN	10	2.0	2.5	4.5	11.3	18.0	.01	10	635	572	622	628	634	576	A		TWC	8-8-05
591-3001-107F	RED GREEN	10	2.0	2.5	4.5	11.3	18.0	.01	10	635	572	622	628	634	576	A		TWC	8-8-05
591-3001-113F	RED GREEN	10	2.0	2.5	4.5	11.3	18.0	.01	10	635	572	622	628	634	576	A		TWC	8-8-05

ABSOLUTE MAXIMUM RATING AT 25°C AMBIENT				UNITS		
POWER CONSUMPTION	RED GREEN	102F	107F	113F	95	mW
CONTINUOUS FORWARD CURRENT	RED GREEN	102F	107F	113F	30	mA
REVERSE VOLTAGE	RED GREEN	102F	107F	113F	5	V
OPERATING TEMPERATURE					-40 TO +100	°C
STORAGE TEMPERATURE						



- NOTES:
- MILLIMETER DIMENSIONS SHOWN FOR REFERENCE ONLY.
  - PAD NUMBERS FOR REFERENCE ONLY. DESIGNATION NON-EXISTENT ON PART.
  - STORAGE CONDITIONS FOR TAPED PRODUCT: RE-TAPING MAY BE NECESSARY FOR PRODUCT STORED MORE THAN TWELVE MONTHS.
  - LEADS: TIN (Sn) OVER NICKEL (Ni) ON COPPER ALLOY (Cu)
  - ORDER QUANTITY IS LED ASSEMBLIES. NOT REELS.
  - 102F SUFFIX MEANS PARTS ARE PACKED ON A 20 PCS SAMPLE STRIP.  
-107F SUFFIX MEANS PARTS ARE PACKED ON 7 INCH REEL: 400 PCS/REEL.  
-113F SUFFIX MEANS PARTS ARE PACKED ON A 13 INCH REEL: 1600 PCS/REEL.
  - LENS MOVEMENT IN RELATIONSHIP TO THE HOUSING IS:  
.009" T. I. R. VERTICALLY.  
.007" T. I. R. HORIZONTALLY.
  - FRONT AND REAR TERMINALS OF ASSEMBLY TO BE WITHIN .005 COPLANARITY.
  - DIALIGHT PART NUMBER: 591-3001-102F, 591-3001-107F, 591-3001-113F.
  - DEVICE HAS A MOISTURE SENSITIVITY LEVEL "2" CAUTION LABEL APPLIED AS PER JEDEC STD. 033.
  - THIS PRODUCT IS RoHS COMPLIANT (Pb FREE). EACH BAG AND REEL IS MARKED WITH THE RoHS COMPLIANT LABEL P/N 9100-117-0852-99 OR EQUIVALENT MARKINGS.



THIS DRAWING AND THE CONTENTS HEREIN ARE CONFIDENTIAL AND THE SOLE PROPERTY OF DIALIGHT. REPRODUCTION OF THIS DRAWING OR CONSTRUCTION OF ANY PARTS WITHIN THIS DRAWING ARE FORBIDDEN WITHOUT THE WRITTEN CONSENT OF DIALIGHT.			
SCALE: DRAWING SCALE	DRAWING NUMBER	REV	
ALL DIM'S IN: INCHES (MM)	C-17282	A	
TOLERANCES: UNLESS OTHERWISE SPECIFIED	TITLE 3mm PRISM SURFACE MOUNT CBI		
FRACTIONS: 1/16	RoHS COMPLIANT		
DECIMALS: 1 DEC: 0.01			
DECIMALS: 2 DEC: 0.005			
DECIMALS: 3 DEC: 0.0005			
ANGLES: .007			
FINISH:	Dialight	1501 ROUTE 34 SOUTH	
FSCM 83330		FARMINGDALE, NJ 07127	
	SHEET 1 OF 1	FAMILY TABLE:	