

Excellent Integrated System Limited

Stocking Distributor

Click to view price, real time Inventory, Delivery & Lifecycle Information:

[Dialight](#)

[5973002302F](#)

For any questions, you can email us directly:

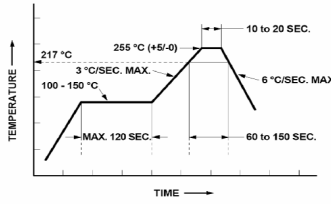
sales@integrated-circuit.com

OPERATING CHARACTERISTICS AT 25° C AMBIENT

REV.	ECN NO.	REVISIONS	DRN.	CKD.	APP.	DATE
A		NEW RELEASE	TC			

LUMINOUS COLOR	FORWARD VOLTAGE (V) I _f = 20 mA		LUMINOUS INTENSITY (mcd) I _f = 20 mA		PEAK WAVELENGTH (nm)	DOMINANT WAVELENGTH (nm)	VIEWING ANGLE (DEGREES)	LUMINOUS EFFICACY (lm/w)	LUMINOUS INTENSITY/TOTAL FLUX I _v (mcd)/Φ _v (lm)
	TYP.	MAX.	MIN.	TYP.	MAX.	TYP.	TYP.	TYP.	TYP.
RED	2.2	2.6	112.50	140.00	639	630	120	1.55	0.45

ABSOLUTE MAXIMUM RATINGS AT 25° C AMBIENT		RED	UNITS
POWER DISSIPATION		72	mW
PEAK FORWARD CURRENT (DUTY FACTOR = 10%, FREQUENCY = 1 kHz)		100	mA
DC FORWARD CURRENT		30	mA
DERATE LINEARLY FROM 40°C		0.42	mA/°C
REVERSE VOLTAGE		5	V
JUNCTION TEMPERATURE		+110	°C
STORAGE TEMPERATURE		-55 TO +100	°C
OPERATING TEMPERATURE		-55 TO +100	°C
I.R. REFLOW SOLDERING TEMPERATURE, 20 SEC. MAX.		240	°C



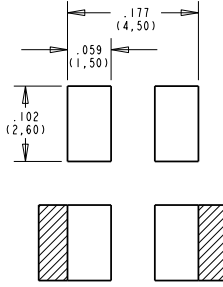
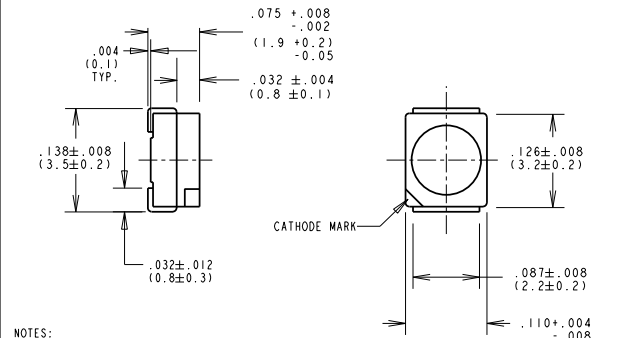
RoHS COMPLIANT REFLOW SOLDERING PROFILE

Dialight 1501 ROUTE 34 SOUTH
FARMINGDALE, N.J. 07727

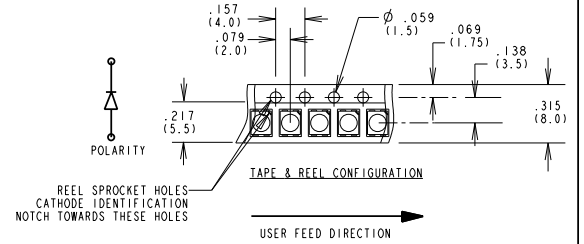
CATALOG P/N 597-3002-307F
LED P/N 4500-521-9908-00

DATE CODE/LOT # _____
INTENSITY BIN/COLOR CODE _____
QTY/REEL _____
COUNTRY OF ORIGIN _____

FIGURE (1)



RECOMMENDED SOLDERING PAD PATTERN



RoHS Compliant 597-3002-30XF

Part Numbers with the "F" suffix ending are RoHS Compliant.
Example: 597-3002-302F
Packaging is marked with "RoHS Compliant" label or equivalent markings.
Parts can be wave soldered, dip soldered or hand soldered using typical lead-free soldering process with max 260°C temp. for 5 sec.

- NOTES:
- DIALIGHT PART NO. 597-3002-307F (FULL REEL) AND 597-3002-302F (20 PC. SAMPLE STRIP).
 - DIE: TS AlInGaP RED
 - SOLDER ADHERANCE: EACH PAD PER MIL-STD-202E, METHOD 208C. TERMINAL FINISH PURE TIN(Sn) OVER COPPER ALLOY(Cu).
 - TAPE AND REEL AS PER EIA STANDARD 481-1, WITH CATHODE TOWARD SPROCKET.
 - PACKAGE ON 180 mm DIA REEL, 8 mm TAPE, 2000/REEL. PACKAGING TO INCLUDE: DIALIGHT LABEL (SEE FIGURE 1) WITH CATALOG P/N, LED P/N OPTIONAL, DATE CODE/LOT NO., LUMINOUS INTENSITY RANK AND COLOR BIN CLASSIFICATION, QTY / REEL, AND COUNTRY OF ORIGIN. LABEL BOTH REEL AND SEALED ALUMINUM VAPOR BARRIER BAG WITH DESICCANT INSIDE. PARTS POSITIONED WITH 4 mm PITCH ON REELS.
 - ALUMINUM MOISTURE BARRIER BAG TO HAVE A MOISTURE SENSITIVITY LEVEL "2a" LABEL APPLIED AS PER JEDEC STD. 033
 - TAPE AND REEL LEDS MAY REQUIRE RE-TAPING AFTER TWELVE MONTHS.



ATTENTION:
OBSERVE PRECAUTIONS FOR
HANDLING ELECTROSTATIC
SENSITIVE DEVICES

THIS DRAWING AND THE CONTENTS HEREIN ARE CONFIDENTIAL AND THE SOLE PROPERTY OF DIALIGHT. REPRODUCTION OF THIS DRAWING OR CONSTRUCTION OF ANY PARTS WITHIN THIS DRAWING ARE FORBIDDEN WITHOUT THE WRITTEN CONSENT OF DIALIGHT.		DRAWING NUMBER	REV
SCALE: NONE		C-17507	A
TOLERANCES: UNLESS OTHERWISE SPECIFIED FRACTIONS: ±1/64 DECIMALS (.XX): ±.01 DECIMALS (.XXX): ±.005 DECIMALS (.XXXX): ±.001 ANGLES: ±1°		TITLE RED PLCC-2 SMT LED ROHS COMPLIANT	
FINISH:		MATERIAL	
FSCM 83330		Dialight 1501 ROUTE 34 SOUTH FARMINGDALE, NJ 07727	
SHEET OF		FAMILY TABLE:	