

Excellent Integrated System Limited

Stocking Distributor

Click to view price, real time Inventory, Delivery & Lifecycle Information:

[Mallory Sonalert Products](#)

[PH-230Q](#)

For any questions, you can email us directly:

sales@integrated-circuit.com

MALLORY

Mallory Sonalert Products Inc.

Part # **PH-230Q**

Sales Outline Drawing

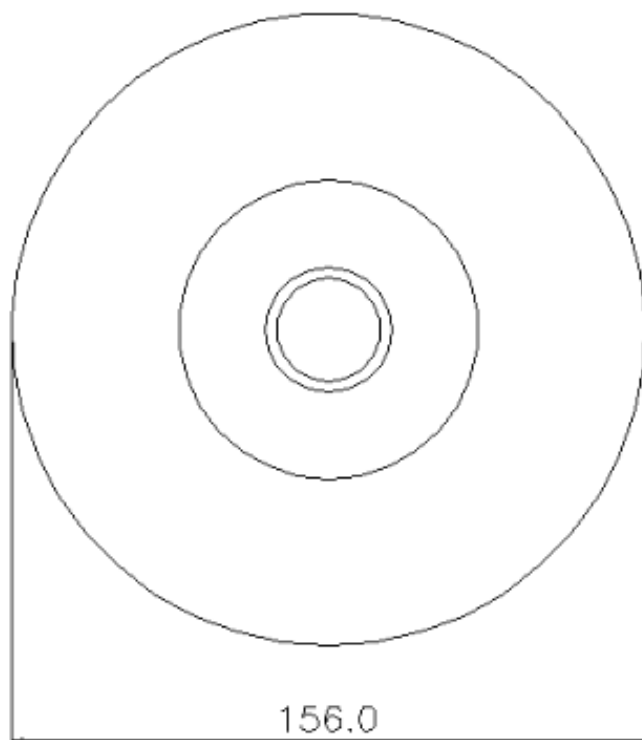
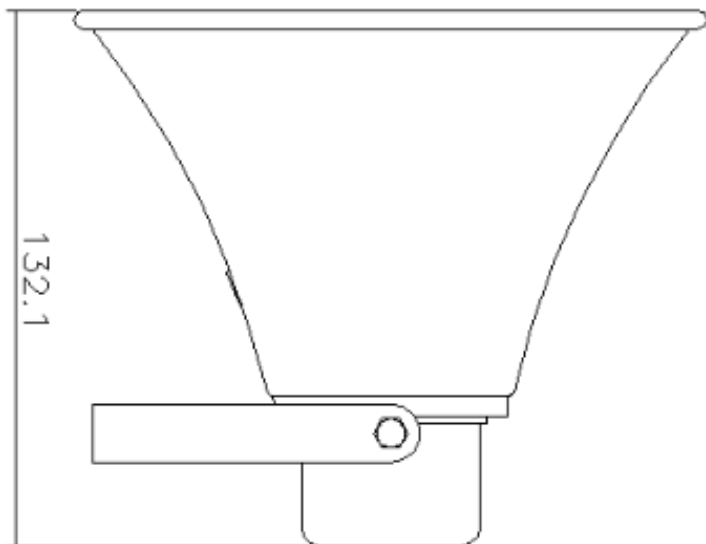
Revision **A**

Specifications:

Resonant Frequency (Hz)	350 ~ 7000
Impedance (Ω)	8 \pm 2
Input Power (Watts RMS)	15
Operating Temperature ($^{\circ}$ C)	-20 ~ +70
Storage Temperature ($^{\circ}$ C)	-30 ~ +80
Housing	Aluminum (Color: Gray)
Leading Wire	20 AWG
Weight (Grams)	960
Locations	For indoor/outdoor use (No Salt environment)
Options	For other options contact factory

Dimensions: (units: mm)

ROHS Compliant



MALLORY

PH-230Q

MALLORY SONALERT PRODUCTS, INC.

Frequency Response:

