

Excellent Integrated System Limited

Stocking Distributor

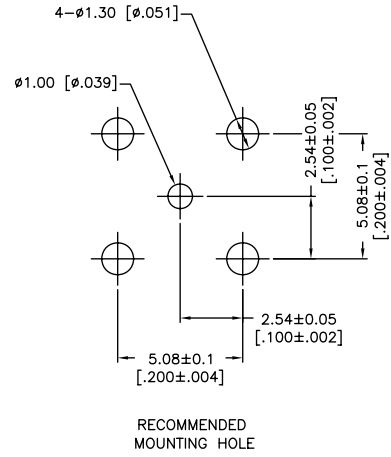
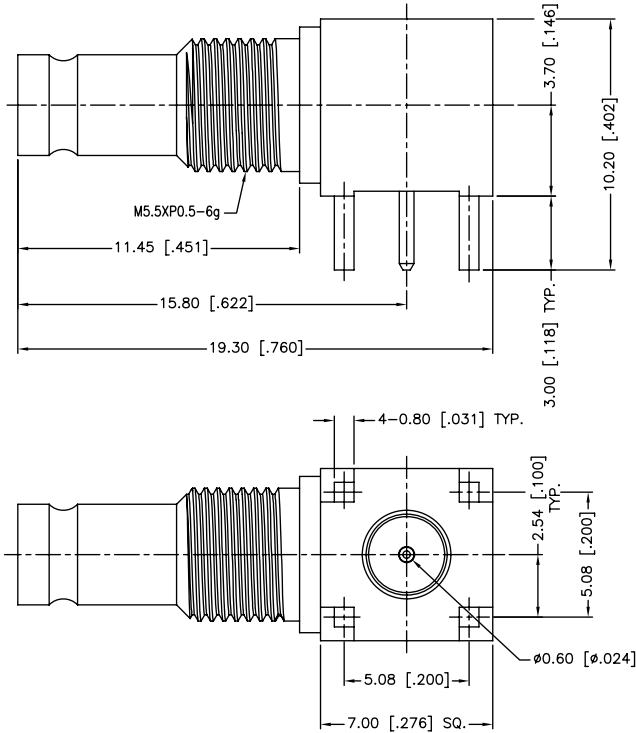
Click to view price, real time Inventory, Delivery & Lifecycle Information:

[Amphenol RF](#)
[282100-75](#)

For any questions, you can email us directly:

sales@integrated-circuit.com

REV.	DATE	ECR NO.	DESCRIPTION
NC	03/19/10	XXXXXX	INITIAL RELEASE



1. FREQUENCY RANGE: DC 0-3 GHz
2. VSWR(RETURN LOSS): 1.15, MAX.

UNLESS OTHERWISE SPECIFIED DIMENSIONS ARE IN MILLIMETERS. DIMENSIONS IN [] ARE IN INCHES AND FOR CUSTOMER REFERENCE ONLY.				APPROVALS	DATE	<h2 style="text-align: center;">Amphenol Connex</h2>							
6	COVER	BRASS	GOLD	1	DRAWN		M.ZHANG	03/19/10	PART DESCRIPTION 1.0/2.3 R/A BULKHEAD PCB RECEPT. JACK (75 ohm)				
5	CONTACT PIN	BRASS	GOLD	1	CHECKED								
4	INSULATOR	PTFE	NATURAL	1	ISSUED								
3	INSULATOR	PTFE	NATURAL	1	SHEET	1 OF 1							
2	CONTACT PIN	BER. COPPER	GOLD	1	UNLESS OTHERWISE SPECIFIED TOLERANCES FOR MILLIMETERS ARE: 0.5 - 8mm ± 0.20mm 8 - 30mm ± 0.40mm 30 - 120mm ± 0.50mm UNLESS OTHERWISE SPECIFIED TOLERANCES FOR INCHES ARE: .020 - .315 = ± 0.007" .315 - 1.180 = ± 0.015" 1.180 - 4.724 = ± 0.020"			PART NO.	282100-75				
1	BODY	BRASS	GOLD	1	DO NOT SCALE DRAWING			CAD FILE	C:/CONNEX/282100-75.DWG		DWG. NO.	282100-75.DWG	
	DESCRIPTION	MATERIAL	FINISH	QTY				REV.	D	SIZE	A	SCALE	NA