



## **Excellent Integrated System Limited**

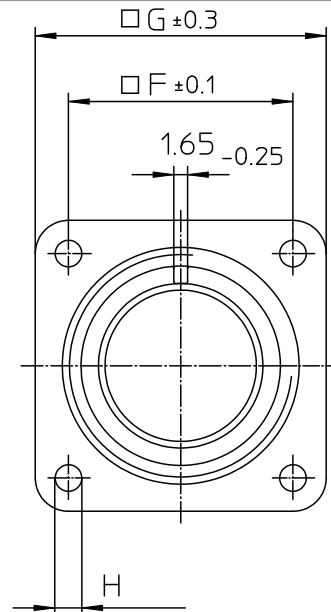
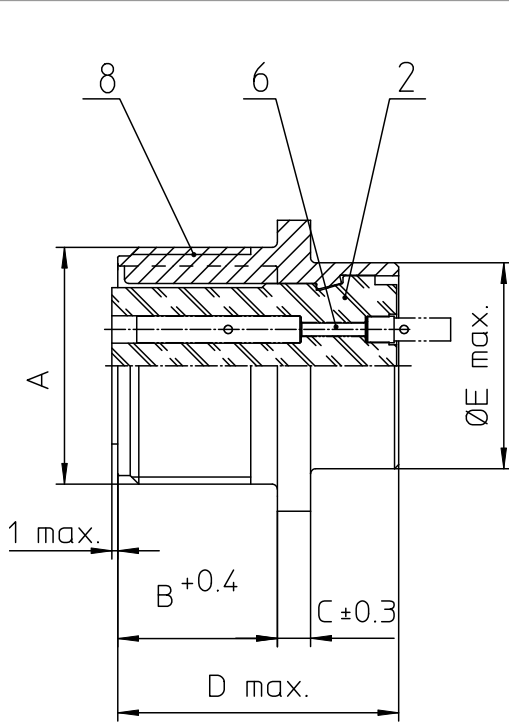
Stocking Distributor

Click to view price, real time Inventory, Delivery & Lifecycle Information:

[ITT Cannon, LLC](#)  
[MS3102R16-10SX](#)

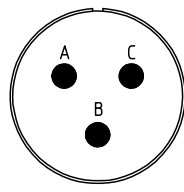
For any questions, you can email us directly:

[sales@integrated-circuit.com](mailto:sales@integrated-circuit.com)



NO.	MASSE / DIMENSION
A	1-20UNEF-2A
B	19
C	3.2
D	34.2
E	22.2
F	24.6
G	32.5
H	3.1

NO.	BESCHREIBUNG / DESCRIPTION
2	ISOLIERKÖRPER BUCHSE / INSULATOR SOCKET
6	KONTAKTBUCHSE / CONTACT SOCKET
8	DOSENGEHÄUSE / SHELL



<p>Note: Due to an automatic nomenclature system, numbers generated may not be sequential. Specification and Dimensions subject to change Drawings illustrate normal insulator positioning</p>		<p>all dimensions are in mm Dimensions without tolerance indications are general tolerances in acc. with DIN7168m</p>		<p>drawing for CUSTOMER</p>
<p>Material Specification: Shell Material: Aluminium alloy Shell Plating: Olive drab chromate coating over cadmium plating Insulator Material: Neoprene Contact Material: Copper alloy Contact Plating: Hard silver</p>		<p>ITT Engineered for life ITT Cannon GmbH D-71334 Weinstadt/Germany</p>		<p>description MS3102R16-10SX Box mounting receptacle Solder Cup / Socket / Layout: 16-10</p>
<p>© All rights reserved. Reproduction or use in any form without the written authorization of ITT Cannon.</p>		<p>page 1/1</p>	<p>revision 3773-Jul-16</p>	