



## **Excellent Integrated System Limited**

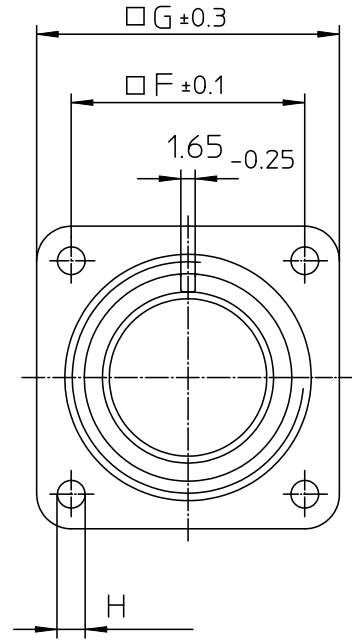
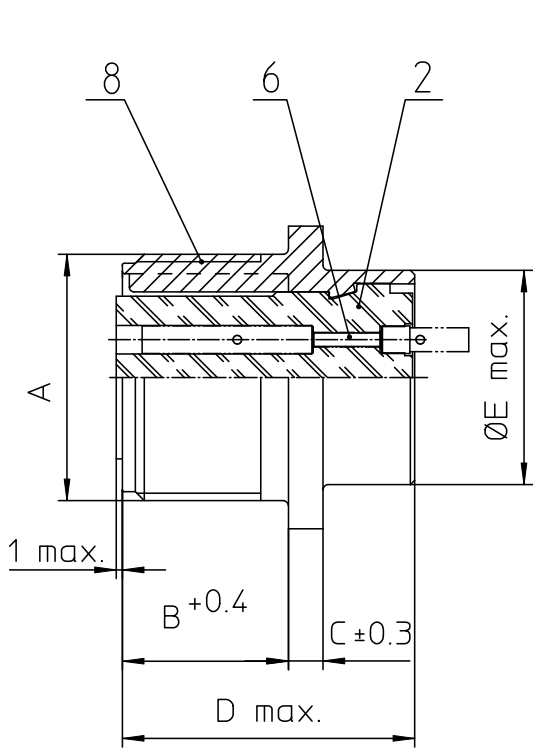
Stocking Distributor

Click to view price, real time Inventory, Delivery & Lifecycle Information:

[ITT Cannon, LLC](#)  
[MS3102E18-11SY](#)

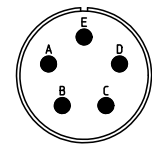
For any questions, you can email us directly:

[sales@integrated-circuit.com](mailto:sales@integrated-circuit.com)



NO.	MASSE / DIMENSION
A	1 1/8-18NEF-2A
B	19
C	4
D	34.2
E	25.4
F	27
G	35
H	3.1

NO.	BESCHREIBUNG / DESCRIPTION
2	ISOLIERKÖRPER BUCHSE / INSULATOR SOCKET
6	KONTAKTBUCHSE / CONTACT SOCKET
8	DOSENGEHÄUSE / SHELL



Note: Due to an automatic nomenclature system, numbers generated may not be sequential.
Specification and Dimensions subject to change Drawings illustrate normal insulator positioning
<b>Material Specification:</b>
Shell Material: Aluminium alloy
Shell Plating: Olive drab chromate coating over cadmium plating
Insulator Material: Neoprene
Contact Material: Copper alloy
Contact Plating: Hard silver

<p><b>all dimensions are in mm</b> Dimensions without tolerance indications are general tolerances in acc. with DIN7168m</p> <p><b>ITT</b> Engineered for life ITT CANNON GROUP 57534 Westborough</p> <p>© All rights reserved. Reproduction or issue in any form without the written authorization of ITT Cannon</p>	<p>description: MS3102E18-11SY Box mounting receptacle</p> <p>Solder Cup / Socket / Layout: 18-11</p>	<p>drawing for: CUSTOMER</p> <p>page: 1/1 revision: 377.3, Jul 16</p>
---	---	---