



**Distributor of ITT Cannon, LLC: Excellent Integrated System Limited**

Datasheet of MS3102E18-1SW - CONN RCPT 10 POS BOX MNT W/SCKT

Contact us: [sales@integrated-circuit.com](mailto:sales@integrated-circuit.com) Website: [www.integrated-circuit.com](http://www.integrated-circuit.com)

---

## **Excellent Integrated System Limited**

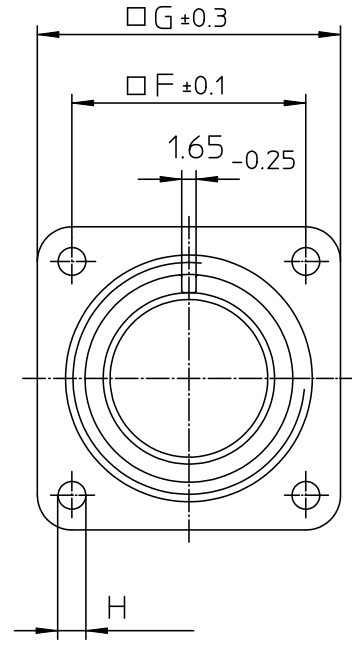
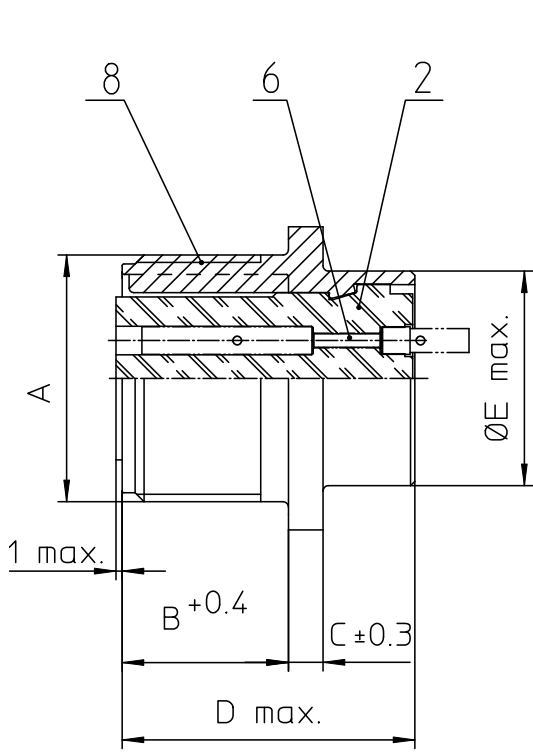
Stocking Distributor

Click to view price, real time Inventory, Delivery & Lifecycle Information:

[ITT Cannon, LLC](#)  
[MS3102E18-1SW](#)

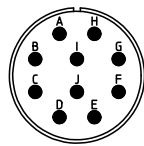
For any questions, you can email us directly:

[sales@integrated-circuit.com](mailto:sales@integrated-circuit.com)



NO.	MASSE / DIMENSION
A	1 1/8-18NEF-2A
B	19
C	4
D	34.2
E	25.4
F	27
G	35
H	3.1

NO.	BESCHREIBUNG / DESCRIPTION
2	ISOLIERKÖRPER BUCHSE / INSULATOR SOCKET
6	KONTAKTBUCHSE / CONTACT SOCKET
8	DOSENGEHÄUSE / SHELL



Note: Due to an automatic nomenclature system, numbers generated may not be sequential.
Specification and Dimensions subject to change Drawings illustrate normal insulator positioning
<b>Material Specification:</b>
Shell Material: Aluminium alloy
Shell Plating: Olive drab chromate coating over cadmium plating
Insulator Material: Neoprene
Contact Material: Copper alloy
Contact Plating: Hard silver

all dimensions are in mm Dimensions without tolerance indications are general tolerances in acc. with DIN7163m	drawing for CUSTOMER
 <b>ITT</b> <i>Engineered for life</i> ITT CANNON GmbH D-71064 Weinstadt/Germany	description MS3102E18-1SW Box mounting receptacle  Solder Cup / Socket / Layout: 18-1
© All rights reserved. Reproduction or issue to third in any form without the prior written authorization of ITT Cannon	page 1/1 revision 377.3, Jul 16