



Excellent Integrated System Limited

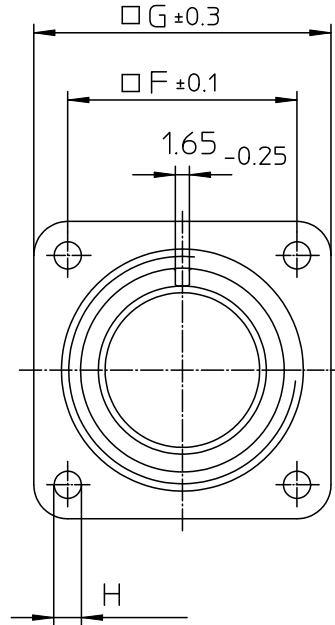
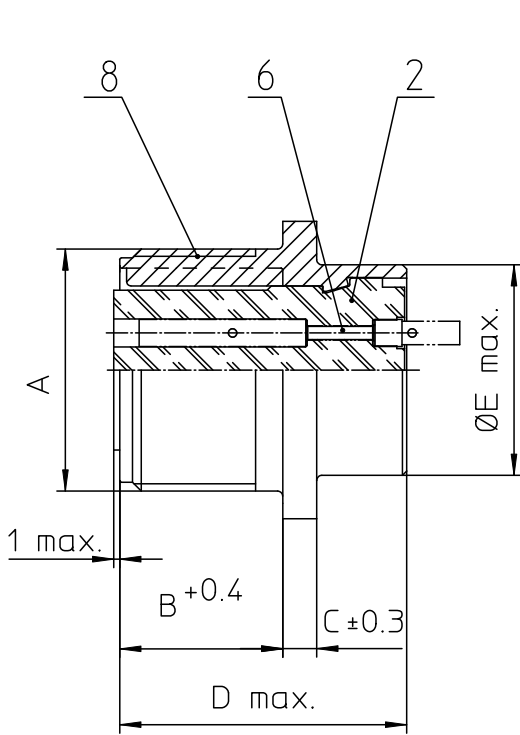
Stocking Distributor

Click to view price, real time Inventory, Delivery & Lifecycle Information:

[ITT Cannon, LLC](#)
[MS3102E20-27SY](#)

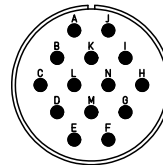
For any questions, you can email us directly:

sales@integrated-circuit.com



| NO. | MASSE / DIMENSION |
|-----|-------------------|
| A | 1 1/4-18NEF-2A |
| B | 19 |
| C | 4 |
| D | 34.2 |
| E | 29 |
| F | 29.4 |
| G | 38 |
| H | 3.1 |

| NO. | BESCHREIBUNG / DESCRIPTION |
|-----|---|
| 2 | ISOLIERKÖRPER BUCHSE / INSULATOR SOCKET |
| 6 | KONTAKTBUCHSE / CONTACT SOCKET |
| 8 | DOSENGEHÄUSE / SHELL |



| |
|--|
| Note: Due to an automatic nomenclature system, numbers generated may not be sequential. |
| Specification and Dimensions subject to change Drawings illustrate normal insulator positioning |
| Material Specification: |
| Shell Material: Aluminium alloy |
| Shell Plating: Olive drab chromate coating over cadmium plating |
| Insulator Material: Neoprene |
| Contact Material: Copper alloy |
| Contact Plating: Hard silver |

| | |
|---|--|
| all dimensions are in mm Dimensions without tolerance indications are general tolerances in acc. with DIN7168m | drawing for CUSTOMER |
| ITT <i>Engineered for life</i> <small>ITT Cannon GmbH D-71334 Weinstadt/Germany</small> | description MS3102E20-27SY Box mounting receptacle Solder Cup / Socket / Layout: 20-27 |
| <small>© All rights reserved. Reproduction or use in any form without the prior written authorization of ITT Cannon</small> | page 1/1 revision 377.3 Jul 16 |