



## **Excellent Integrated System Limited**

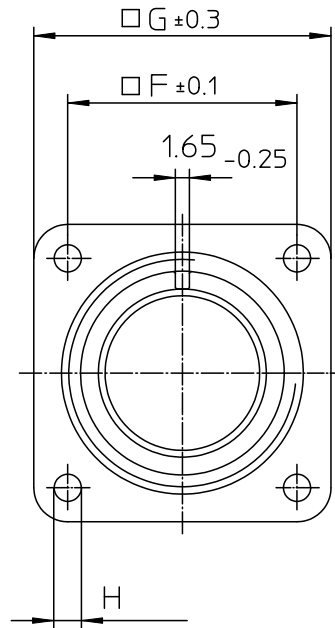
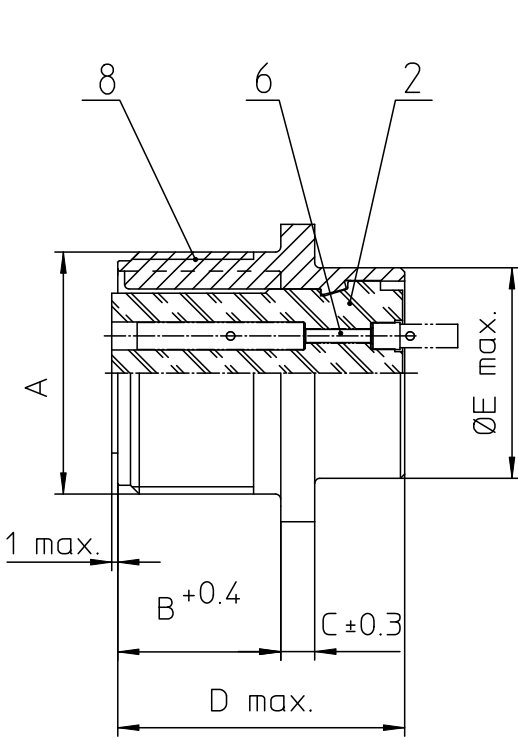
Stocking Distributor

Click to view price, real time Inventory, Delivery & Lifecycle Information:

[ITT Cannon, LLC](#)  
[MS3102E20-29SW](#)

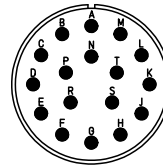
For any questions, you can email us directly:

[sales@integrated-circuit.com](mailto:sales@integrated-circuit.com)



NO.	MASSE / DIMENSION
A	1 1/4-18NEF-2A
B	19
C	4
D	34.2
E	29
F	29.4
G	38
H	3.1

NO.	BESCHREIBUNG / DESCRIPTION
2	ISOLIERKÖRPER BUCHSE / INSULATOR SOCKET
6	KONTAKTBUCHSE / CONTACT SOCKET
8	DOSENGEHÄUSE / SHELL



Note: Due to an automatic nomenclature system, numbers generated may not be sequential.
Specification and Dimensions subject to change Drawings illustrate normal insulator positioning
<b>Material Specification:</b>
Shell Material: Aluminium alloy
Shell Plating: Olive drab chromate coating over cadmium plating
Insulator Material: Neoprene
Contact Material: Copper alloy
Contact Plating: Hard silver

all dimensions are in mm Dimensions without tolerance indications are general tolerances in acc. with DIN7188m	drawing for CUSTOMER
<b>ITT</b> Engineered for life ITT Cannon GmbH D-71334 Weinstadt/Germany	description MS3102E20-29SW Box mounting receptacle Solder Cup / Socket / Layout: 20-29
© All rights reserved. Reproduction or use in any form without the written authorization of ITT Cannon	page 1/1 revision 377.3 Jul 16