



Excellent Integrated System Limited

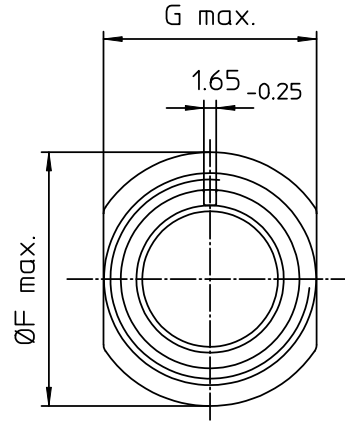
Stocking Distributor

Click to view price, real time Inventory, Delivery & Lifecycle Information:

[ITT Cannon, LLC](#)
[MS3101E14S-1P](#)

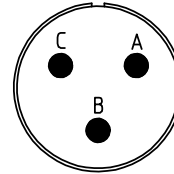
For any questions, you can email us directly:

sales@integrated-circuit.com



| NO. | MASSE / DIMENSION |
|-----|-------------------|
| A | 7/8-20UNEF-2A |
| B1 | 9.1 |
| B2 | - |
| C | 14.2 |
| D | 3.2 |
| E | 55 |
| F | 28.2 |
| G | 22.5 |

| NO. | BESCHREIBUNG / DESCRIPTION |
|-----|-------------------------------------|
| 1 | ISOLIERKÖRPER STIFT / INSULATOR PIN |
| 3 | DICHTKÖRPER / GROMMET |
| 4 | ENDRING / ENDRING |
| 5 | KONTAKTSTIFT / CONTACT PIN |
| 8 | DOSENGEHÄUSE / SHELL |
| 12 | ENDGEHÄUSE / ENDBELL |



Note: Due to an automatic nomenclature system, numbers generated may not be sequential.

Specification and Dimensions subject to change
Drawings illustrate normal insulator positioning

Material Specification:

Shell Material: Aluminium alloy
Shell Plating: Olive drab chromate coating over cadmium plating
Insulator Material: Neoprene
Contact Material: Copper alloy
Contact Plating: Hard silver

all dimensions are in mm

Dimensions without tolerance indications are general tolerances in acc. with DIN7168m

drawing for
CUSTOMER



Engineered for life
ITT CANNON GERMANY
D-75394 Weinstadt, Germany

description MS3101E14S-1P
Cable connecting plug
Endbell with clamp and bushing
Solder Cup / Pin / Layout: 14S-1

© All rights reserved. Reproduction or issue to third in any form
whatever is only permitted with written authorization of ITT Cannon

page 1/1
revision 377.3, Jul 16