



## **Excellent Integrated System Limited**

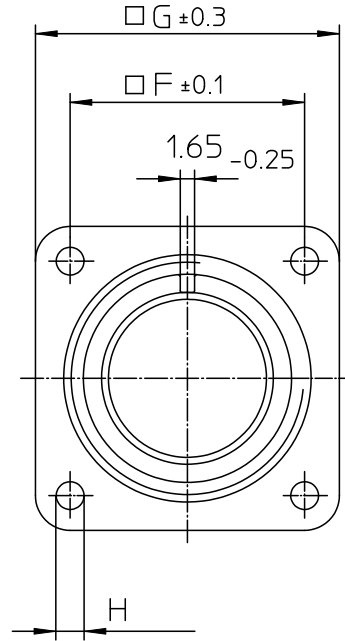
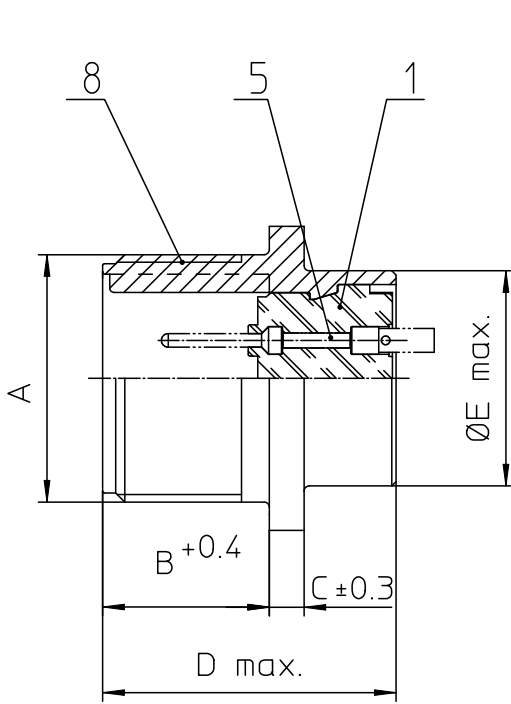
Stocking Distributor

Click to view price, real time Inventory, Delivery & Lifecycle Information:

[ITT Cannon, LLC](#)  
[MS3102E28-15PY](#)

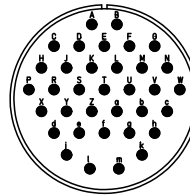
For any questions, you can email us directly:

[sales@integrated-circuit.com](mailto:sales@integrated-circuit.com)




| NO. | MASSE / DIMENSION |
|-----|-------------------|
| A   | 1 3/4-18NS-2A     |
| B   | 20.6              |
| C   | 4                 |
| D   | 34.2              |
| E   | 41.2              |
| F   | 39.7              |
| G   | 50.8              |
| H   | 3.7               |

| NO. | BESCHREIBUNG / DESCRIPTION          |
|-----|-------------------------------------|
| 1   | ISOLIERKÖRPER STIFT / INSULATOR PIN |
| 5   | KONTAKTSTIFT/ CONTACT PIN           |
| 8   | DOSENGEHÄUSE / SHELL                |



|  |
|--|
| Note: Due to an automatic nomenclature system, numbers generated may not be sequential.            |
| Specification and Dimensions subject to change<br>Drawings illustrate normal insulator positioning |
| <b>Material Specification:</b>   |
| Shell Material: Aluminium alloy  |
| Shell Plating: Olive drab chromate coating over cadmium plating                                    |
| Insulator Material: Neoprene   |
| Contact Material: Copper alloy   |
| Contact Plating: Hard silver   |

|  |  |
|--|--|
| <b>all dimensions are in mm</b><br>Dimensions without tolerance indications are general tolerances in acc. with DIN 7168m  | drawing for<br>CUSTOMER  |
| <br><b>ITT</b><br>Engineered for life<br>ITT CANNON GMBH<br>D-71364 Weinstadt/Germany | description<br>MS3102E28-15PY<br>Box mounting receptacle               |
| © All rights reserved. Reproduction or issue in kind in any form without the prior written permission of ITT Cannon  | Solder Cup / Pin / Layout: 28-15<br>page 1/1<br>revision 377.3, Jul 16 |