



**Distributor of ITT Cannon, LLC: Excellent Integrated System Limited**

Datasheet of MS3106R20-15PW - CONN PLUG 7 POS STRAIGHT W/PINS

Contact us: [sales@integrated-circuit.com](mailto:sales@integrated-circuit.com) Website: [www.integrated-circuit.com](http://www.integrated-circuit.com)

---

## **Excellent Integrated System Limited**

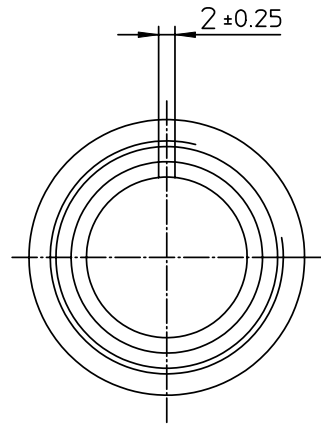
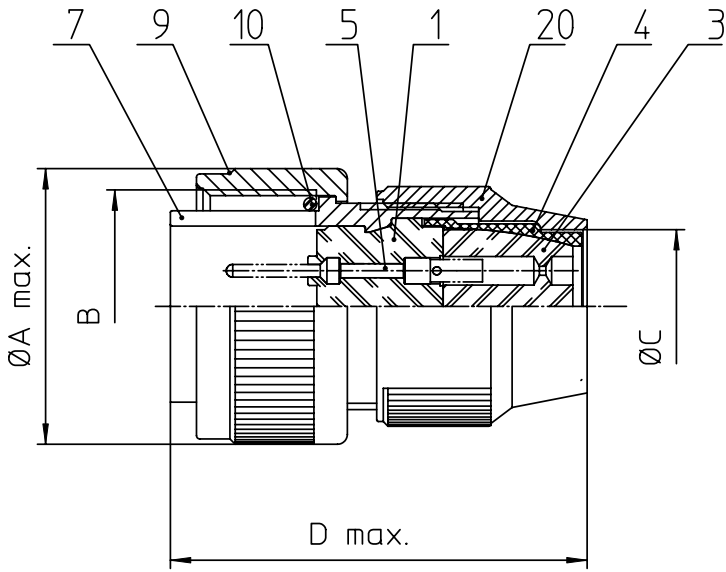
Stocking Distributor

Click to view price, real time Inventory, Delivery & Lifecycle Information:

[ITT Cannon, LLC](#)  
[MS3106R20-15PW](#)

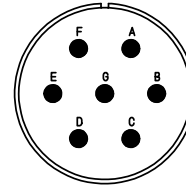
For any questions, you can email us directly:

[sales@integrated-circuit.com](mailto:sales@integrated-circuit.com)




| NO. | MASSE / DIMENSION |
|-----|-------------------|
| A   | 37,4              |
| B   | 1 1/4-18NEF-2A    |
| C   | 22                |
| D   | 53                |

| NO. | BESCHREIBUNG / DESCRIPTION           |
|-----|--------------------------------------|
| 1   | ISOLIERKÖRPER STIFT / INSULATOR PIN  |
| 3   | DICHTKÖRPER / GROMMET                |
| 4   | ENDRING / ENDRING                    |
| 5   | KONTAKTSTIFT/ CONTACT PIN            |
| 7   | ZYLINDERGHÄUSE / BARREL              |
| 9   | ÜBERWURFMUTTER / COUPLING NUT        |
| 10  | DICHTRING FRONT / FRONT SEALING RING |
| 20  | KURZES ENDGEHÄUSE / SHORT ENDBELL    |



Note: Due to an automatic nomenclature system, numbers generated may not be sequential.  
Specification and Dimensions subject to change  
Drawings illustrate normal insulator positioning

**Material Specification:**  
Shell Material: Aluminium alloy  
Shell Plating: Olive drab chromate coating over cadmium plating  
Insulator Material: Neoprene  
Contact Material: Copper alloy  
Contact Plating: Hard silver

|   |  |                                |
|---|--|--------------------------------|
| all dimensions are in mm<br>Dimensions without tolerance indications are general tolerances in acc. with DIN7168m   |  | drawing for<br><b>CUSTOMER</b> |
| <br><b>ITT</b><br>Engineered for life<br><small>ITT CANNON GROUP<br/>51-71388-0000 Summary</small> | description  | MS3106R20-15PW                 |
|   | Plug, straight<br>Shortened light-weight endbell without cable clamp<br>Solder Cup / Pin / Layout: 20-15 |                                |
| © All rights reserved. Reproduction or issue to third in any form<br>whatever is only permitted with written authorization of ITT Cannon  | page<br>1/1  | revision<br>377 3. Jul 16      |